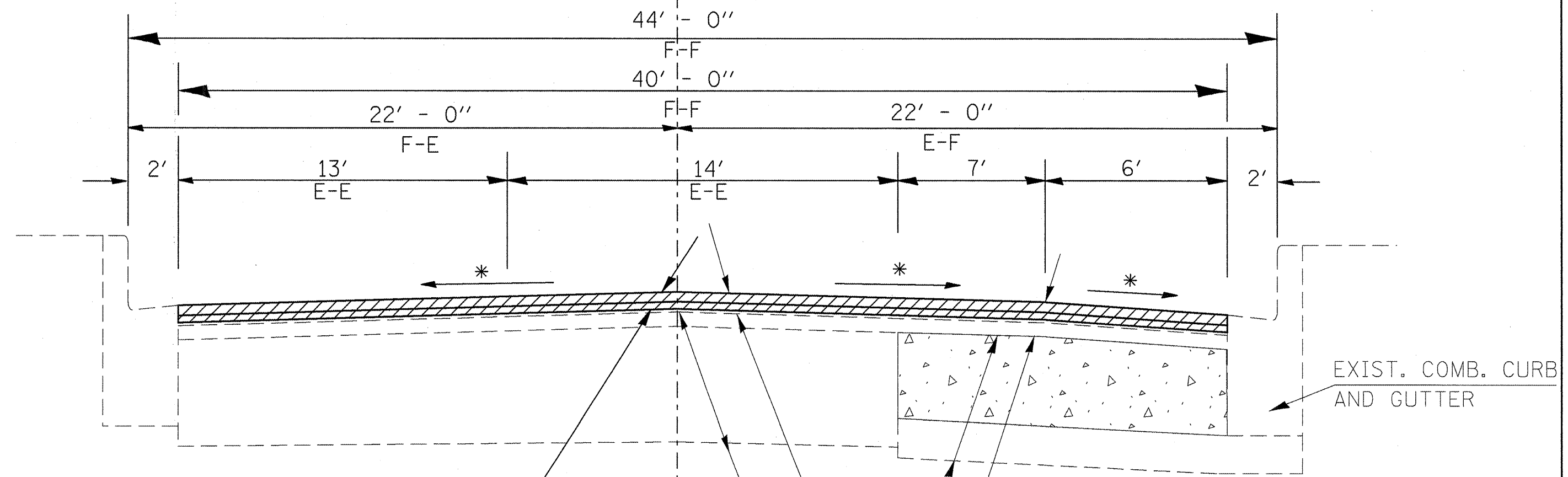


CONTRACT NO. 98985			
F.A.P. RTE.	SECTION	COUNTY	TOTAL SHEET NO.
331		JACKSON	23 8
STA.		TO STA.	
FED. ROAD DIST. NO. - ILLINOIS		FED. AID PROJECT	

• (12-3)RS-2,(4-5)RS-3

☐ FAP 331
(IL 13-WALNUT ST.)



HOT-MIX ASPHALT SURFACE REMOVAL 2 1/4"
 PROP. POLY. HOT-MIX ASPHALT SURFACE CSE. (1 1/2")
 PROP. POLY. LEVELING BINDER (MM) (3/4")

EXIST. 9.25" (LEFT LANE) TO
 11.5" (CENTER LANE) ASPHALT
 PAVEMENT OVER SOIL

EXIST. 2" BIT. SURFACE AND
 BINDER COURSE

EXIST. 2.75" ASPHALT

10" CONCRETE OVER AGGREGATE

EXIST. COMB. CURB
 AND GUTTER

TO BE USED:

* MATCH EX. SLOPE

STA. 134+91 (RR XING BUTT JT.) TO STA. 156+48 (WALL ST.)

PLOT DATE = 12/1/2008
 FILE NAME = c:\pwork\project\mccor\dr\lane331\134+91.dwg
 PLOT SCALE = 1/8"=1'-0"
 USER NAME = mcorndr