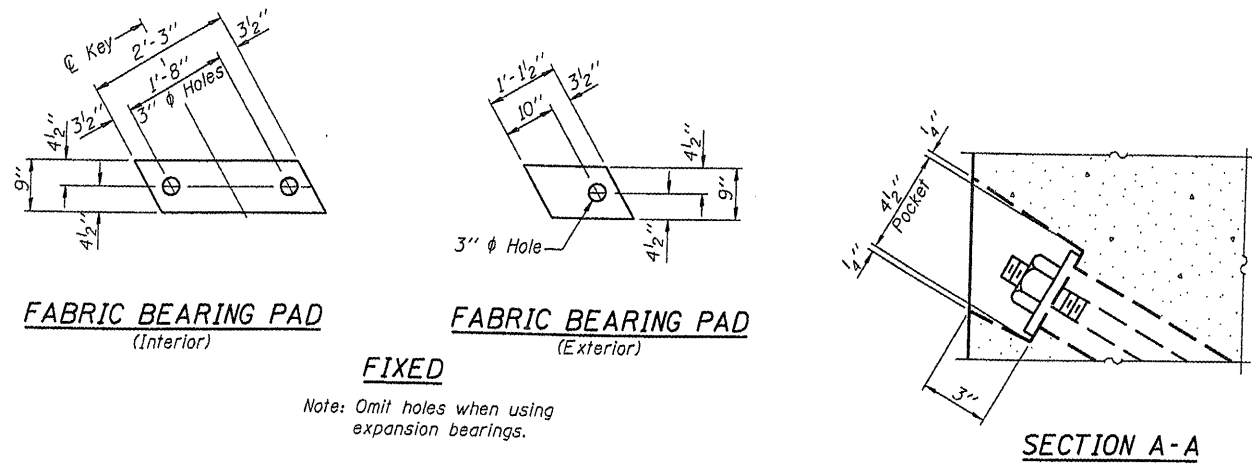
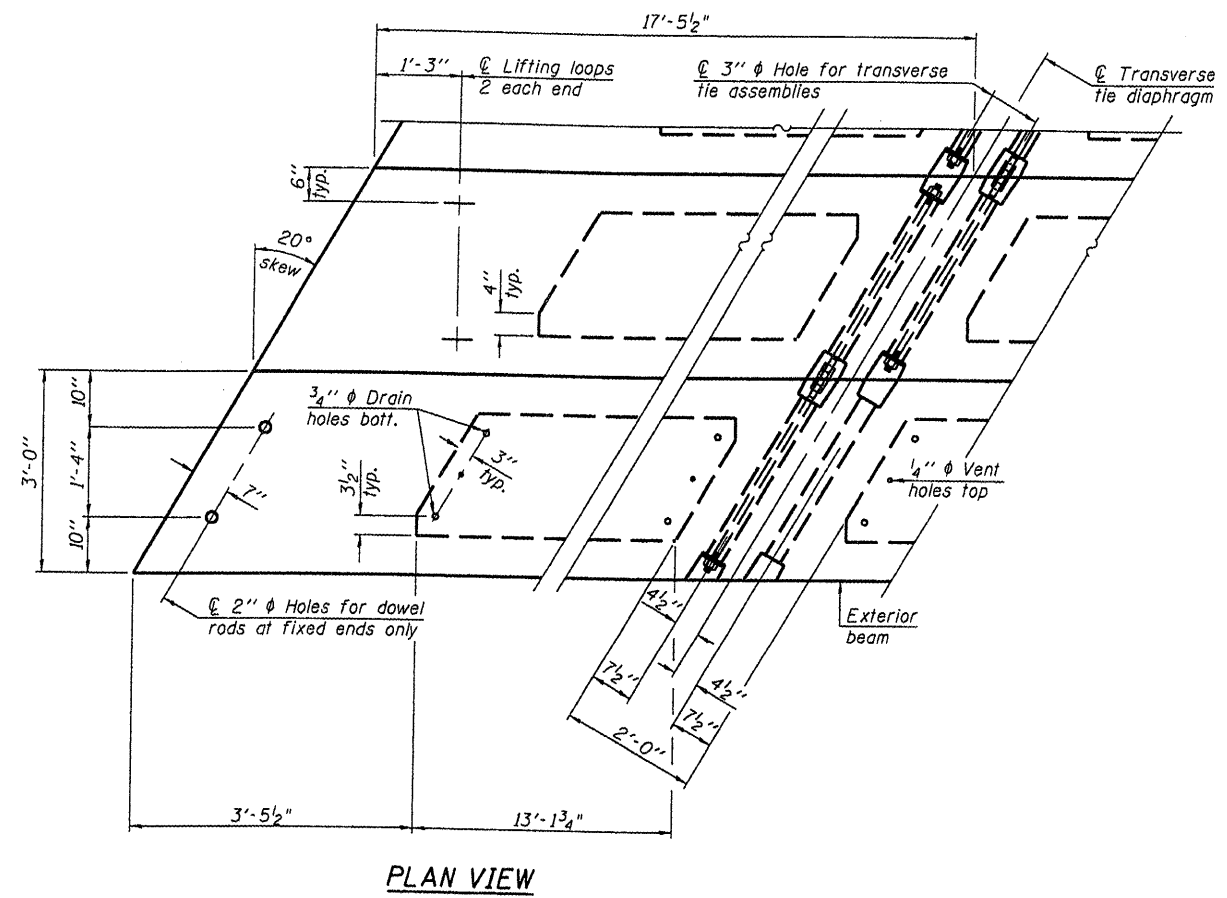
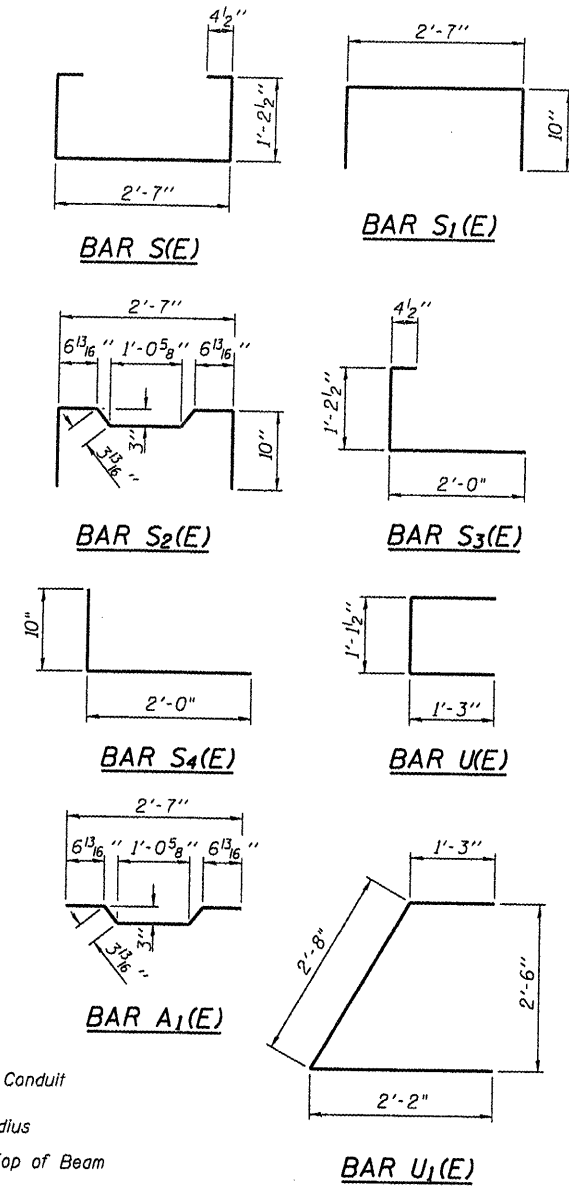
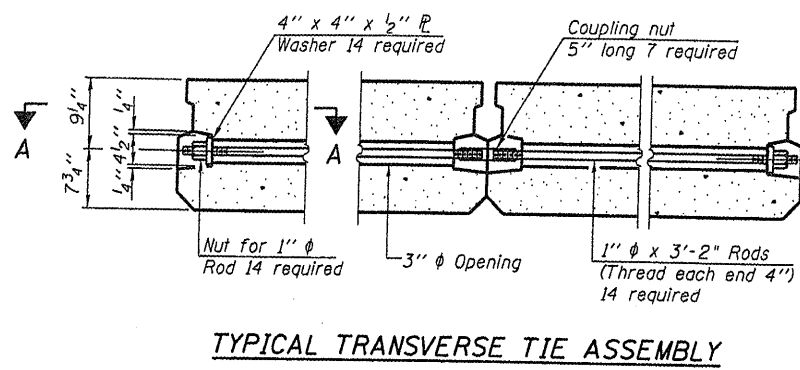


FILENAME: L:\Jobs\1001 BBS\6956 BBS Various\Various\6956.05\CADD.Struc\Jackson 05-16118-00-BR.dgn



**FIXED**  
 Note: Omit holes when using expansion bearings.



Note: Connect beams in pairs with the transverse tie configuration shown.

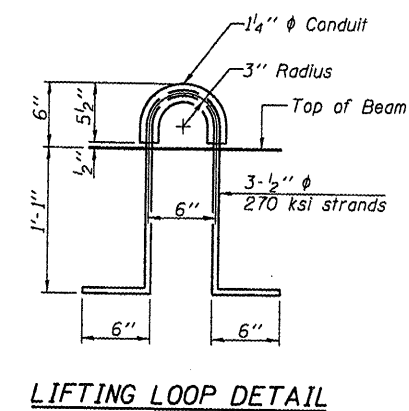
**NOTES**

Prestressing steel shall be uncoated high strength, low relaxation 7-wire strand, Grade 270. The nominal diameter shall be 1/2" and the nominal cross-sectional area shall be 0.153 sq. in. The 1" rods in the transverse tie assembly shall be tightened to a snug fit and the threads set. Pockets on exterior faces of bridge shall be filled with grout after transverse tie assembly is in place.

Reinforcement bars shall conform to ASTM A 706, Grade 60. (See Special Provisions). Two 1/8" fabric adjusting shims of the dimensions of the exterior bearing pad shall be provided for each bearing pad location.

A minimum 2 1/2" lifting pin shall be used to engage the lifting loops during handling. Corrosion Inhibitor, per Article 1020.05(b)(12) and 1021.06 of the Standard Specifications, shall be used in the concrete for precast prestressed concrete deck beams.

Compressive strength of prestressed concrete, f'c, shall be 6000 psi.  
 Compressive strength of prestressed concrete at release, f'ci, shall be 5000 psi.



**BILL OF MATERIAL**

Precast Prestressed Conc. Deck Bms. (17" depth)	Sq. Ft.	840
---	---------	-----

USER NAME = dheberlung	DESIGNED - SDS	REVISED
PLOT SCALE = 0:2.1119" = 1" / IN.	DRAWN - DLH	REVISED
PLOT DATE = 9/8/2008	CHECKED - CWC	REVISED
	DATE = 10-08	REVISED

**WHKS & CO. ENGINEERING**  
 7018 KINGSMILL CT., SPRINGFIELD, IL (217) 483-9457  
 DESIGN FIRM #184001036

**STATE OF ILLINOIS DEPARTMENT OF TRANSPORTATION**

**PPC DECK BEAM DETAILS (17" x 3'-0")**  
**TWP. ROUTE 75 OVER GLENN CREEK**

T.R. RTE. 75	SECTION 05-16118-00-BR	COUNTY JACKSON	TOTAL SHEETS 13	SHEET NO. 7
S.N. -			CONTRACT 99342	
FED. ROAD DIST. NO. - [ILLINOIS] FED. AID PROJECT				

SCALE: SHEET NO. 7 OF 13 SHEETS STA. 3+00