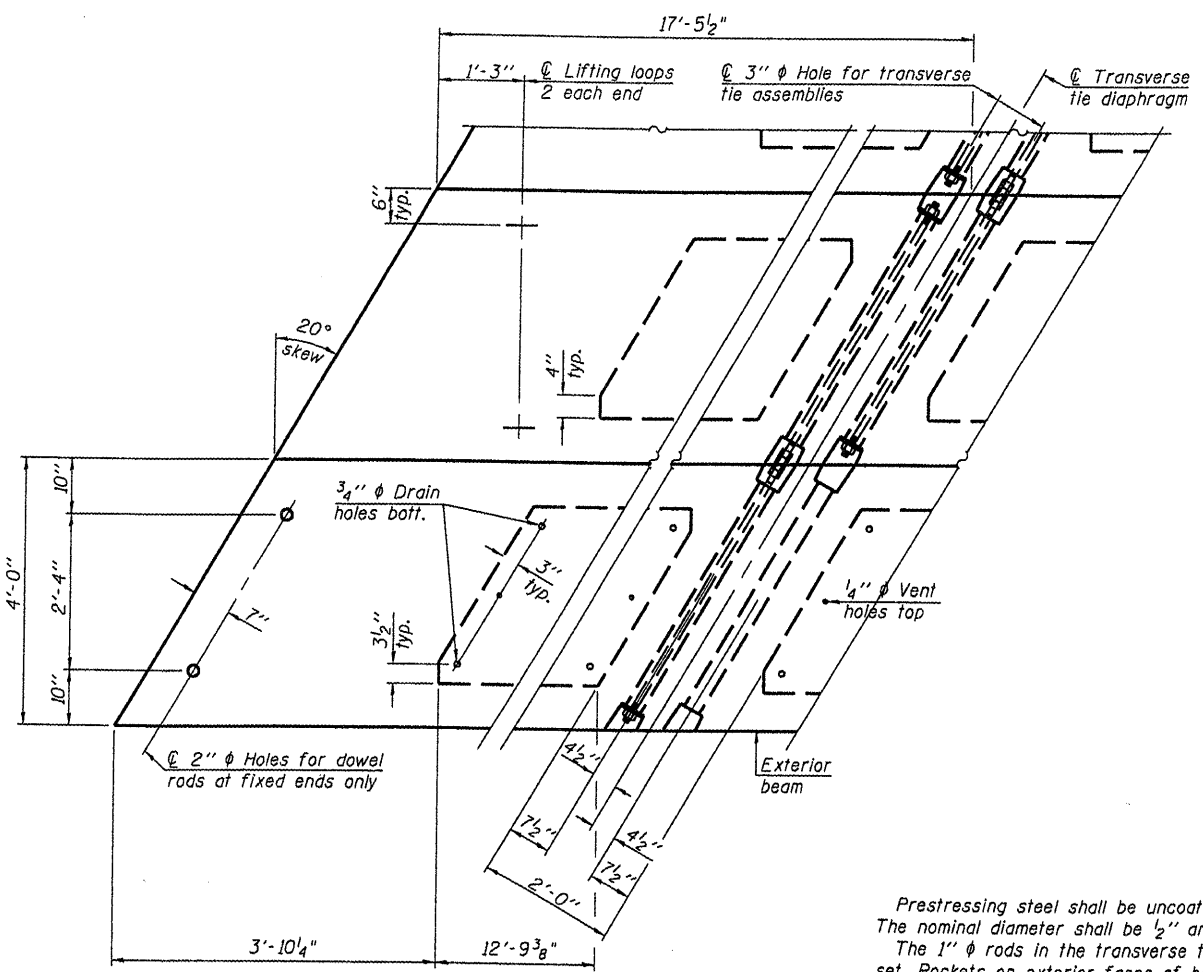
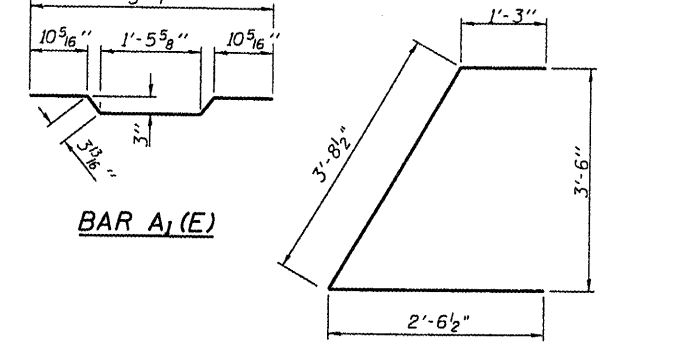
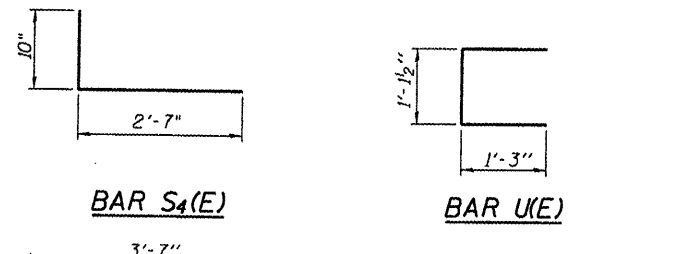
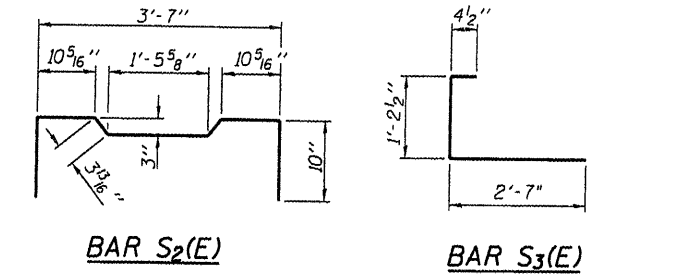
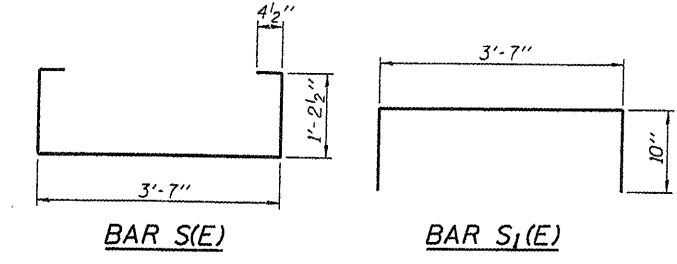
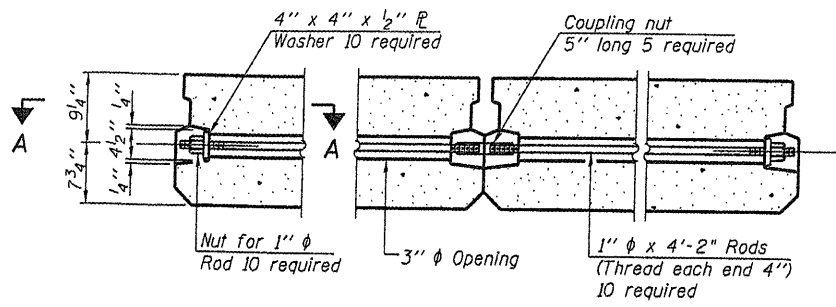


FIXED
 Note: Omit holes when using expansion bearings.



Note: Connect beams in pairs with the transverse tie configuration shown.

NOTES
 Prestressing steel shall be uncoated high strength, low relaxation 7-wire strand, Grade 270. The nominal diameter shall be 1/2" and the nominal cross-sectional area shall be 0.153 sq. in. The 1" φ rods in the transverse tie assembly shall be tightened to a snug fit and the threads set. Pockets on exterior faces of bridge shall be filled with grout after transverse tie assembly is in place.
 Reinforcement bars shall conform to ASTM A 706, Grade 60. (See Special Provisions). Two 5/8" fabric adjusting shims of the dimensions of the exterior bearing pad shall be provided for each bearing pad location.
 A minimum 2 1/2" φ lifting pin shall be used to engage the lifting loops during handling.
 Corrosion Inhibitor, per Article 1020.05(b)(12) and 1021.06 of the Standard Specifications, shall be used in the concrete for precast prestressed concrete deck beams.
 Compressive strength of prestressed concrete, f'c, shall be 6000 psi.
 Compressive strength of prestressed concrete at release, f'ci, shall be 5000 psi.

BILL OF MATERIAL

Precast Prestressed Conc. Deck Bms. (17" depth)	Sq. Ft.	840
---	---------	-----

FILENAME: L:\Jobs\1001 BBS\6956 BBS Various\05\CA00.Stue\Jackson 05-16118-00-BR.dgn

USER NAME: chaberling	DESIGNED: SOS	REVISED:
PLOT SCALE: 0.21119 1" = 10'	CHECKED: CWC	REVISED:
PLOT DATE: 9/8/2008	DATE: 10-00	REVISED:

WHKS & CO. ENGINEERING
 7018 KINGSMILL CT., SPRINGFIELD, IL (217) 483-9457
 DESIGN FIRM #184001038

STATE OF ILLINOIS DEPARTMENT OF TRANSPORTATION

PPC DECK BEAM DETAILS (17" x 4'-0")
 TWP. ROUTE 75 OVER GLENN CREEK
 SCALE: SHEET NO. 9 OF 13 SHEETS © STA. 3+00

T.R. RTE.	SECTION	COUNTY	TOTAL SHEETS	SHEET NO.
75	05-16118-00-BR	JACKSON	13	9
S.N.	CONTRACT			99342
FED. ROAD DIST. NO. - ILLINOIS FED. AID PROJECT				