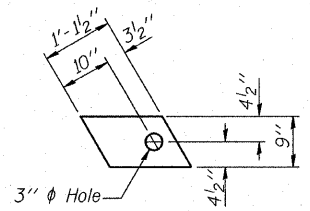


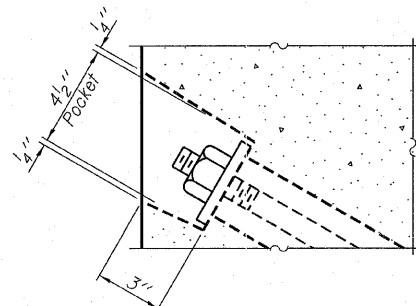
**FABRIC BEARING PAD**  
(Interior - 16 Req'd)



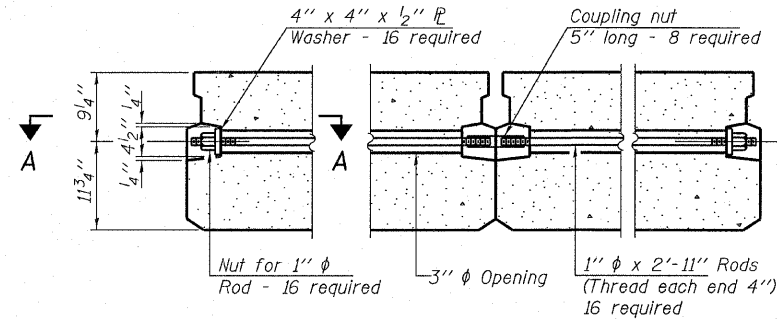
**FABRIC BEARING PAD**  
(Exterior - 4 Req'd)

**FIXED**

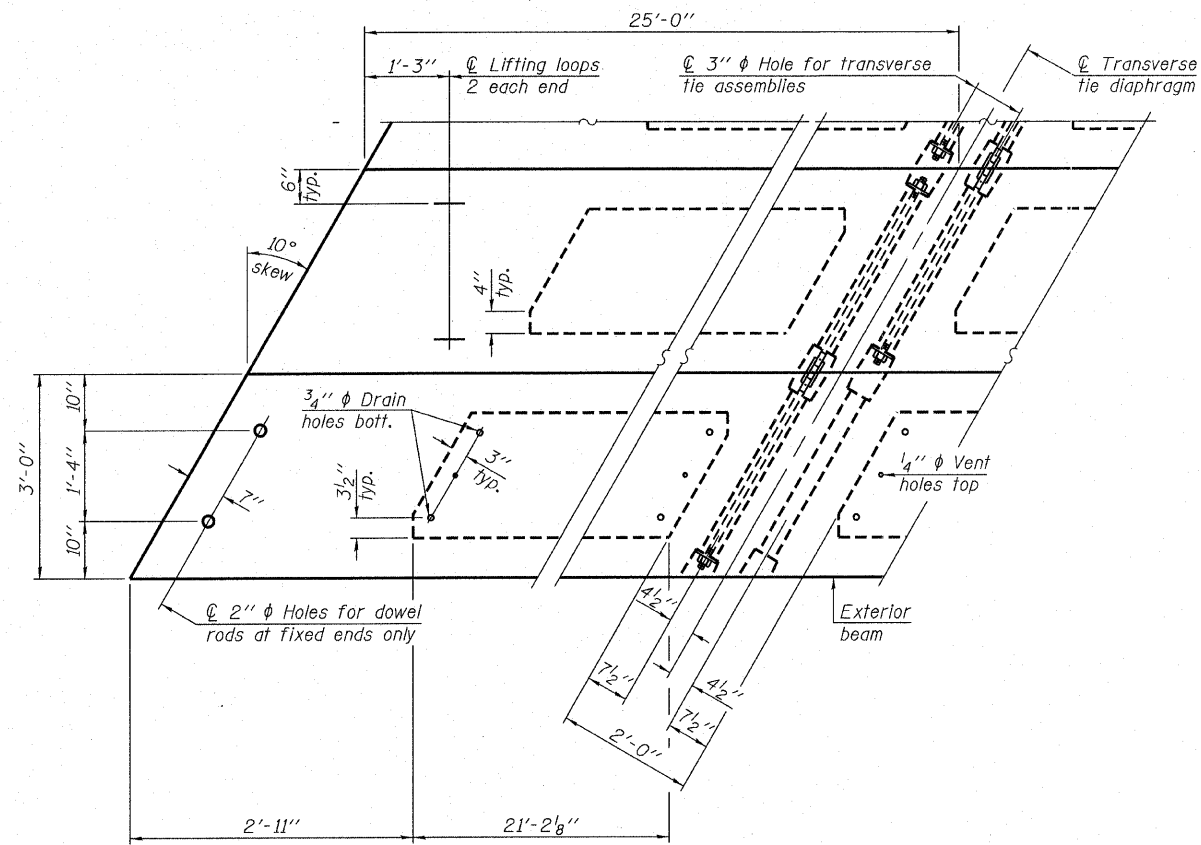
Note: Omit holes when using expansion bearings.



**SECTION A-A**



**TYPICAL TRANSVERSE TIE ASSEMBLY**



**PLAN VIEW**

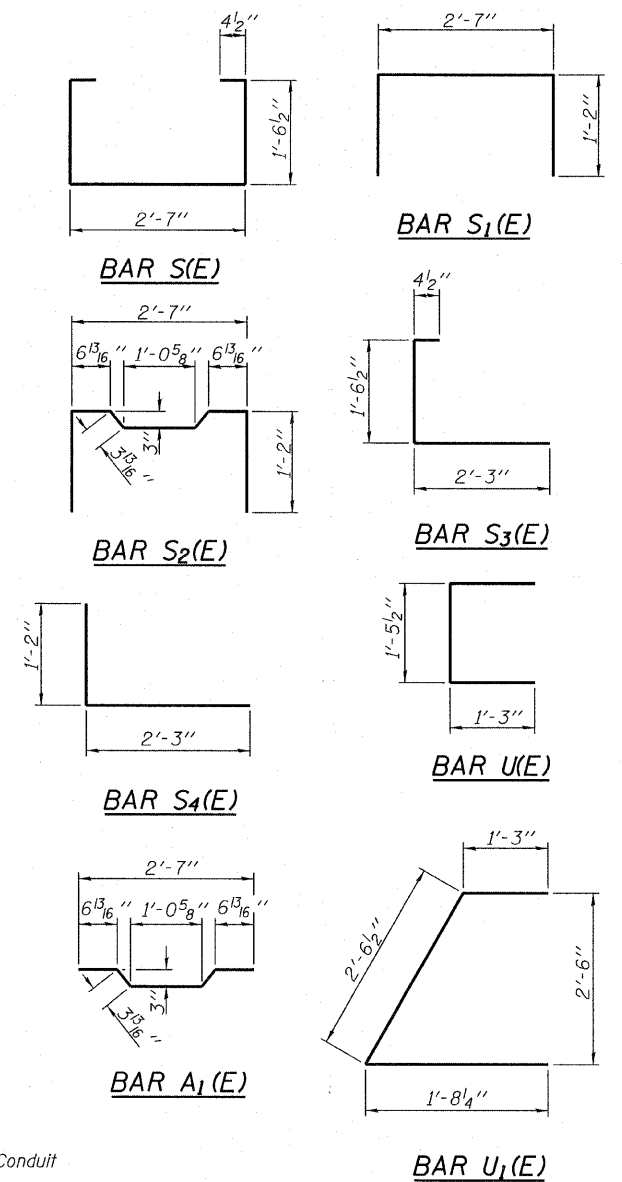
Note: Connect beams in pairs with the transverse tie configuration shown.

**NOTES**

- 1. Prestressing steel shall be uncoated high strength, low relaxation 7-wire strand, Grade 270. The nominal diameter shall be 1/2 inch and the nominal cross-sectional area shall be 0.153 sq. in.
- 2. The 1 inch diameter rods in the transverse tie assembly shall be tightened to a snug fit and the threads set. Pockets on exterior faces of bridge shall be filled with grout after transverse tie assembly is in place.
- 3. Reinforcement bars shall conform to ASTM A 706, Grade 60. (See Special Provisions).
- 4. Two 1/8 inch fabric adjusting shims of the dimensions of the exterior bearing pad shall be provided for each bearing pad location.
- 5. A minimum 2 1/2 inch diameter lifting pin shall be used to engage the lifting loops during handling.
- 6. Corrosion Inhibitor, per Article 1020.05(b)(12) and 1021.06 of the Standard Specifications, shall be used in the concrete for precast prestressed concrete deck beams.
- 7. Compressive strength of prestressed concrete, f'c, shall be 6000 psi.
- 8. Compressive strength of prestressed concrete at release, f'cl, shall be 5000 psi.

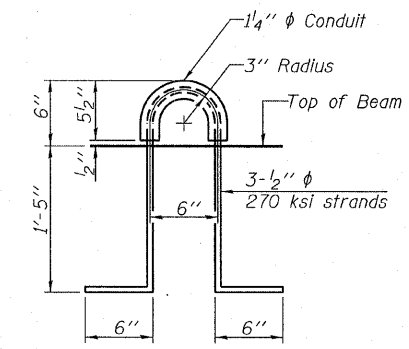
DESIGNED - S.M.S.
CHECKED - S.W.M.
DRAWN - D.A.B.
CHECKED - D.T.M.

PD-2136-LD 5-16-08



**BILL OF MATERIAL**

Precast Prestressed Conc. Deck Bms. (21" depth)	Sq. Ft.	1,350
---	---------	-------



**LIFTING LOOP DETAIL**

**SUPERSTRUCTURE**  
**21" X 36" PPC DECK BEAM DETAILS**  
**STRUCTURE NO. 030-3126**

<b>HAMPTON, LENZINI &amp; RENWICK, INC.</b> CIVIL & STRUCTURAL ENGINEERS LAND SURVEYORS 3085 STEVENSON DRIVE, SUITE 201 SPRINGFIELD, ILLINOIS 62703 (217) 546-3400 PROJECT NUMBER: 08.0190.130 DATE: 10/14/08	SHEET NO.	T.R.	SECTION	COUNTY	TOTAL SHEETS	SHEET NO.
	SHEETS	98	06-04109-00-BR	GALLATIN	17	11
EQUALITY ROAD DISTRICT				CONTRACT NO. 99353		
ILLINOIS FED. AID PROJECT						