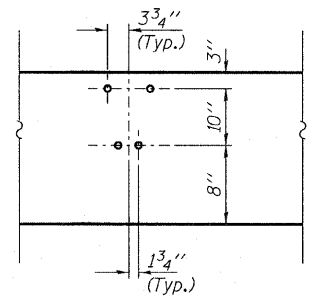
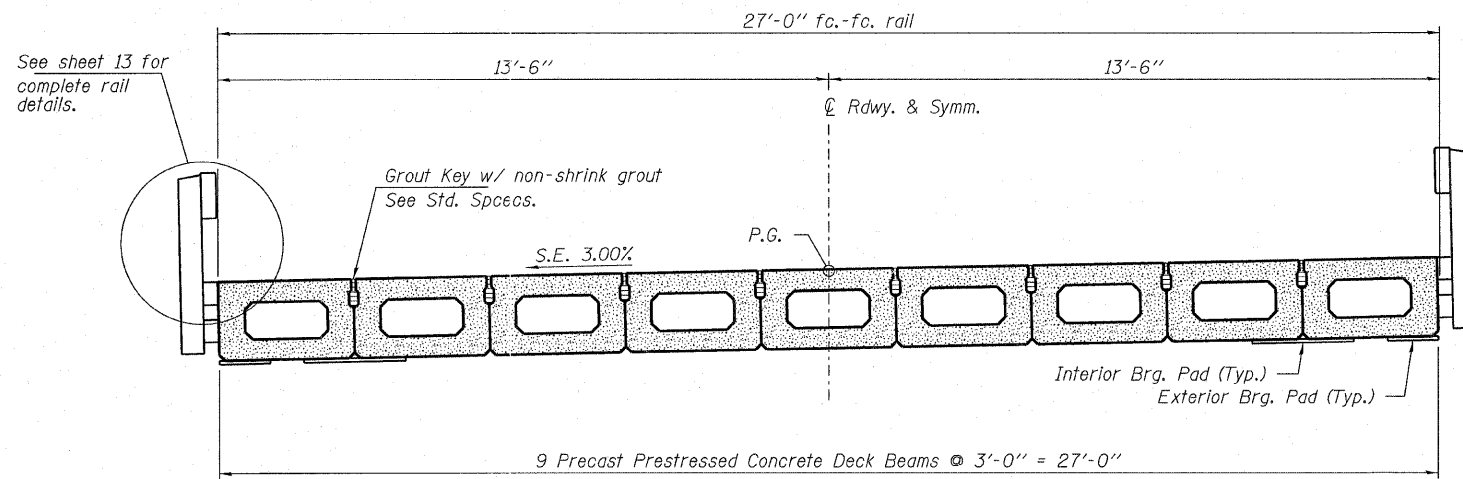


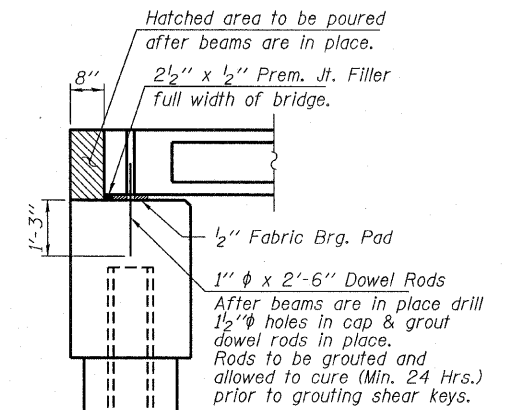
ELEVATION
 Showing Rail Post Spacing
 See sheet 13 for Railing Details.



DETAIL A



CROSS SECTION
 See sheets 10 & 11 for Superstructure.



SECTION AT ABUTMENTS
 © Rt. L's

DESIGNED - S.M.S.
CHECKED - S.W.M.
DRAWN - D.A.B.
CHECKED - D.T.M.

SUPERSTRUCTURE DETAILS
STRUCTURE NO. 030-3126

HAMPTON, LENZINI & RENWICK, INC. CIVIL & STRUCTURAL ENGINEERS LAND SURVEYORS 3085 STEVENSON DRIVE, SUITE 201 SPRINGFIELD, ILLINOIS 62703 (217) 546-3400	SHEET NO. SHEETS	T.R.	SECTION	COUNTY	TOTAL SHEETS	SHEET NO.
		98	06-04109-00-BR	GALLATIN	17	12
PROJECT NUMBER: 08 0190 130 DATE: 10/14/08				EQUALITY ROAD DISTRICT CONTRACT NO. 99353		
ILLINOIS FED. AID PROJECT						