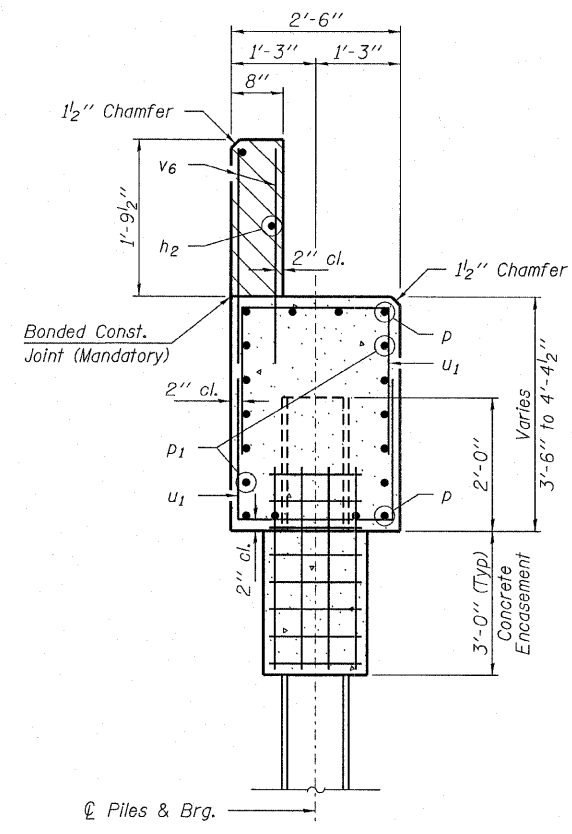
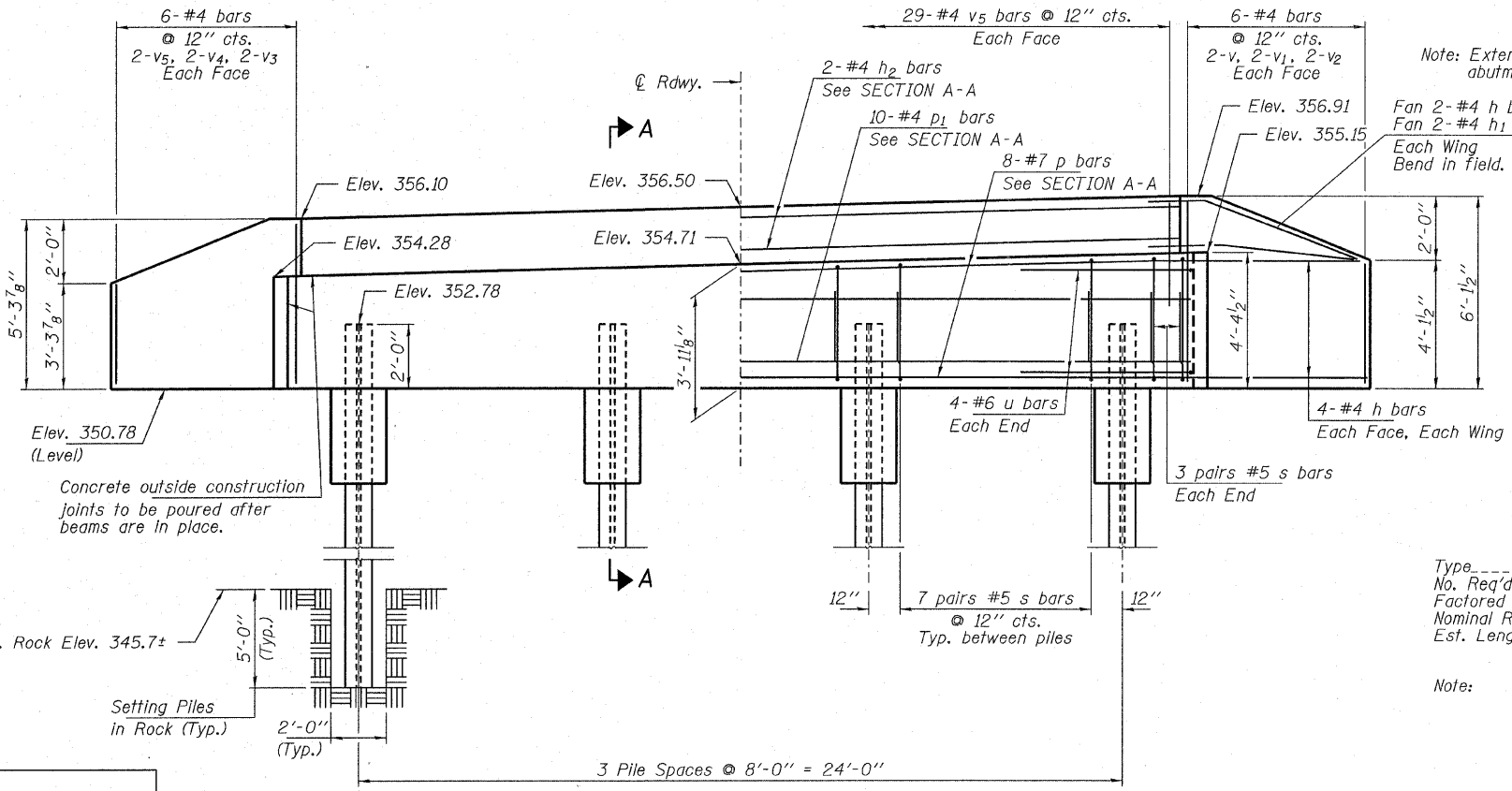
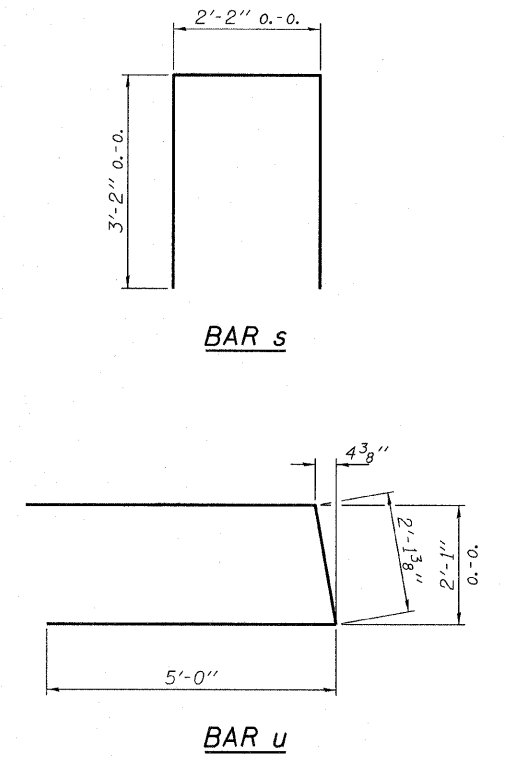


PLAN



SECTION A-A



ELEVATION
(Looking East)

Note: Extend h bars into abutment cap.

Note: Fan 2-#4 h bars (B.F.)
Fan 2-#4 h1 bars (F.F.)
Each Wing
Bend in field.

PILE DATA

Type ----- Steel HP10x42
No. Req'd. (E. Abut.) ----- 4
Factored Resistance Available ----- 167 Kips/Pile
Nominal Req'd Bearing ----- 335 Kips/Pile
Est. Length ----- 12 Ft./Pile - E. Abut.

Note: The Steel H-Piles shall be according to AASHTO M270 Grade 50.

BILL OF MATERIAL - E. ABUT.

BAR	NO.	SIZE	LENGTH	SHAPE
h	20	#4	6'-3"	—
h1	4	#4	4'-9"	—
h2	2	#4	28'-8"	—
p	8	#7	28'-8"	—
p1	10	#4	28'-8"	—
s	54	#5	8'-6"	U
u	8	#6	12'-2"	—
v	4	#4	5'-10"	—
v1	4	#4	4'-11"	—
v2	4	#4	3'-11"	—
v3	4	#4	5'-0"	—
v4	4	#4	4'-1"	—
v5	66	#4	3'-1"	—
Concrete Structures			Cu. Yd.	13.3
Concrete Encasement			Cu. Yd.	1.4
Reinforcement Bars			Pound	1,620
Steel Piles HP10x42			Foot	48
Setting Piles in Rock			Each	4

DESIGNED - S.M.S.
CHECKED - S.W.M.
DRAWN - D.A.B.
CHECKED - D.T.M.

EAST ABUTMENT
STRUCTURE NO. 030-3126

HAMPTON, LENZINI & RENWICK, INC. CIVIL & STRUCTURAL ENGINEERS LAND SURVEYORS 3085 STEVENSON DRIVE, SUITE 201 SPRINGFIELD, ILLINOIS 62703 (217) 546-3400 PROJECT NUMBER: 05.0190.130 DATE: 10/14/08	SHEET NO.	T.R.	SECTION	COUNTY	TOTAL SHEETS	SHEET NO.
	SHEETS	98	06-04109-00-BR	GALLATIN	17	15
			EQUALITY ROAD DISTRICT	CONTRACT NO. 99353		
ILLINOIS FED. AID PROJECT						