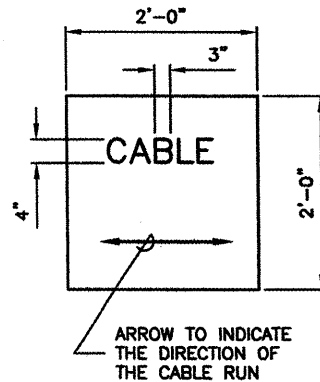
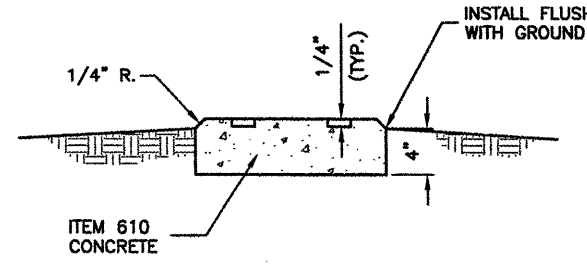


SPLICE CAN DETAIL
 N.T.S.



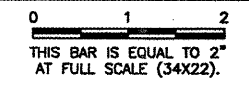
- TURF CABLE / SPLICE MARKER NOTES**
1. CABLE MARKERS SHALL BE INSTALLED AT ALL BENDS AND EVERY 200' ALONG THE HOMERUN.
 2. ITEM 610 CONCRETE SHALL BE USED.
 3. ALL EXPOSED EDGES SHALL BE EDGED WITH A 1/4" RADIUS TOOL.
 4. THE COST OF FURNISHING AND INSTALLING NEW MARKERS SHALL BE INCIDENTAL TO THE ASSOCIATED ITEMS.
 5. 0.049 CU. YD. CONCRETE PER MARKER.
 6. A MARKER CONFORMING TO THIS DETAIL MARKED "SPLICE" SHALL BE INSTALLED AT ALL SPLICE LOCATIONS NOT IN LIGHT CANS OR MANHOLES.



TURF CABLE / SPLICE MARKER DETAILS
 N.T.S.

CA007

REVISIONS		
NUMBER	BY	DATE

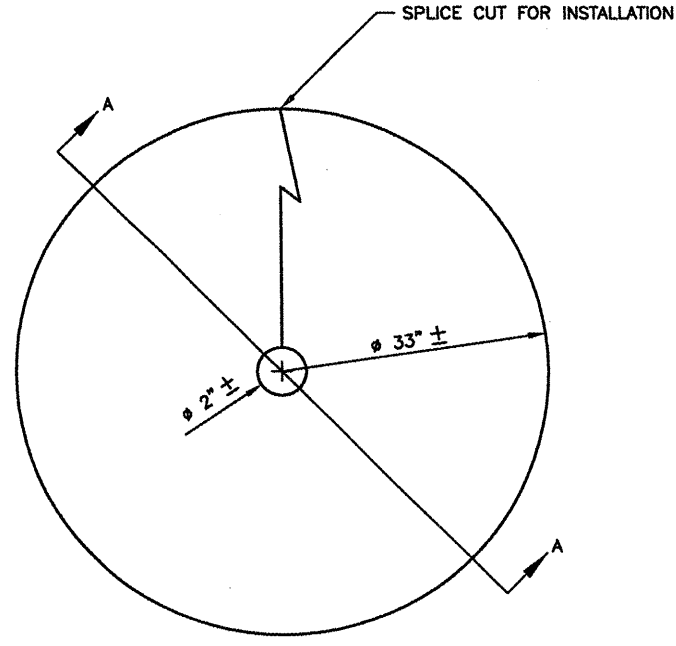


SPRINGFIELD AIRPORT AUTHORITY
 ABRAHAM LINCOLN CAPITAL AIRPORT
 SPRINGFIELD, ILLINOIS

WIDEN TAXIWAY G - PHASE 2
 ELECTRICAL DETAILS 2

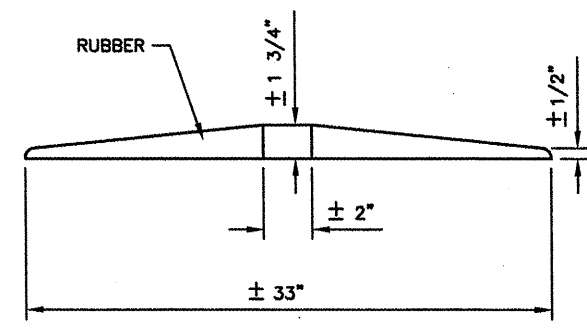
© Copyright CMT, Inc.
CMT
 CRAWFORD, MERRITT & TILLY, INC.
 CONSULTING ENGINEERS
 License No. 194-006815

DESIGN BY:	CBG
DRAWN BY:	CMT
CHECKED BY:	RW
APPROVED BY:	RW
DATE:	01/30/2009
JOB No:	07035-09-00
IL PROJ. NO. SPI-3860 AIP PROJ. NO. 3-17-0096-XX	
SHEET 52 OF 65 SHEETS	

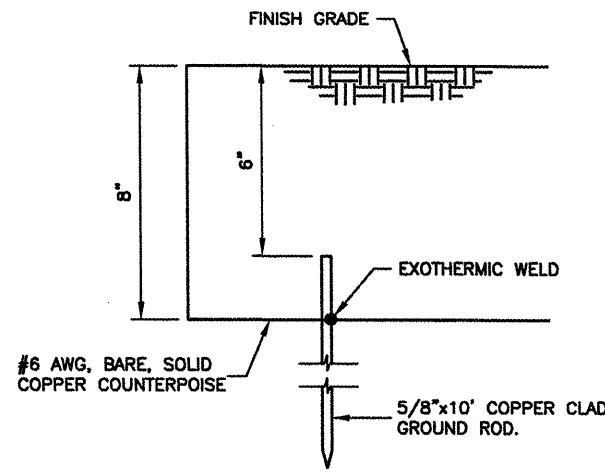


PLAN VIEW
 N.T.S.

VEGETATION CONTROL RING DETAIL
 N.T.S.



SECTION A-A
 N.T.S.



NOTE:
 GROUND RODS SHALL BE INSTALLED AT 500' INTERVALS

COUNTERPOISE INSTALLATION
 N.T.S.