

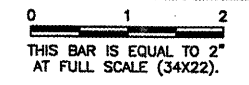
SIGNAGE SCHEDULE


SIGN #	SIDE	NEW SIGN LEGEND	WHITE WITH BLACK OUTLINE ON RED BACKGROUND	BLACK LEGEND ON YELLOW BACKGROUND	YELLOW LEGEND ON BLACK BACKGROUND	NUMBER OF CHARACTERS	NEW POWER CIRCUIT	NOTES
1	NE SW	G ← Z G		← Z	G G	3	TXY G	NEW SIGN
2	NW SE	Z ← G → Z		← G →	Z Z	4	TXY G	NEW SIGN
3	NE SW	G Z → G		Z →	G G	3	TXY G	NEW SIGN
4	NE SW	G ← IDA G		← IDA	G G	5	TXY G	NEW SIGN
5	NW	← G →		← G →		3	TXY G	NEW SIGN
6	NW	G ↑ G →		G ↑ G →		4	TXY G	NEW SIGN
7	NW SE	G 22 ↑ G IDA ↑		22 ↑ IDA ↑	G G	5	TXY G	NEW SIGN
8	E W	E 18 E	18	E	E E	3	RWY 18/36	NEW SIGN
9	E W	E 18 E	18	E	E E	3	RWY 18/36	NEW SIGN
10	NW SE	B 18-36 B	18-36	B	B B	6	RWY 18/36	NEW SIGN
11	NW SE	B 36-18 B	36-18	B	B B	6	RWY 18/36	NEW SIGN
12	NE SW	A 36-18 A	36-18	A	A A	6	RWY 18/36	NEW SIGN
13	NE SW	A 18-36 A	18-36	A	A A	6	RWY 18/36	NEW SIGN
14	W E	H 18-36 H	18-36	H	H H	6	RWY 18/36	NEW SIGN
15	W E	H 36-18 H	36-18	H	H H	6	RWY 18/36	NEW SIGN
16	NE SW	C 36 C	36	C	C C	3	RWY 18/36	NEW SIGN

K:\Springfield\0703509\Draw\Sheets\Phase 2 Full
FILE: SIGNDET1.dwg
UPDATE BY: Kristy Brod
PLOT DATE: 1/26/2009 10:18 AM

CA007

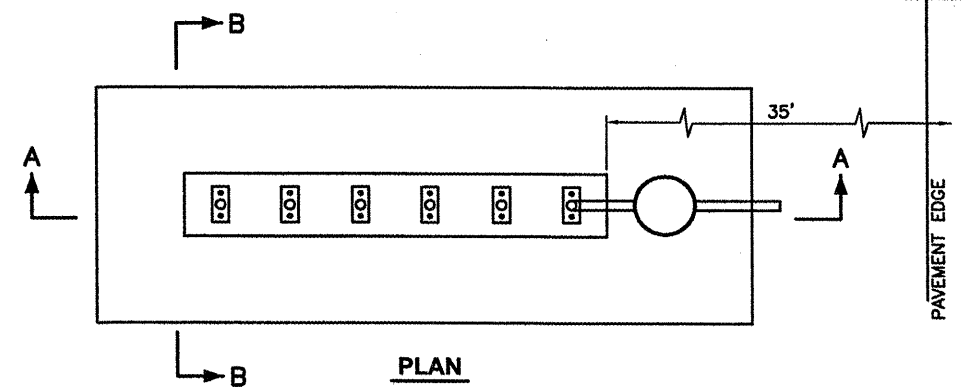
REVISIONS		
NUMBER	BY	DATE




SPRINGFIELD AIRPORT AUTHORITY
ABRAHAM LINCOLN CAPITAL AIRPORT
SPRINGFIELD, ILLINOIS

WIDEN TAXIWAY G - PHASE 2

AIRFIELD SIGNAGE DETAIL

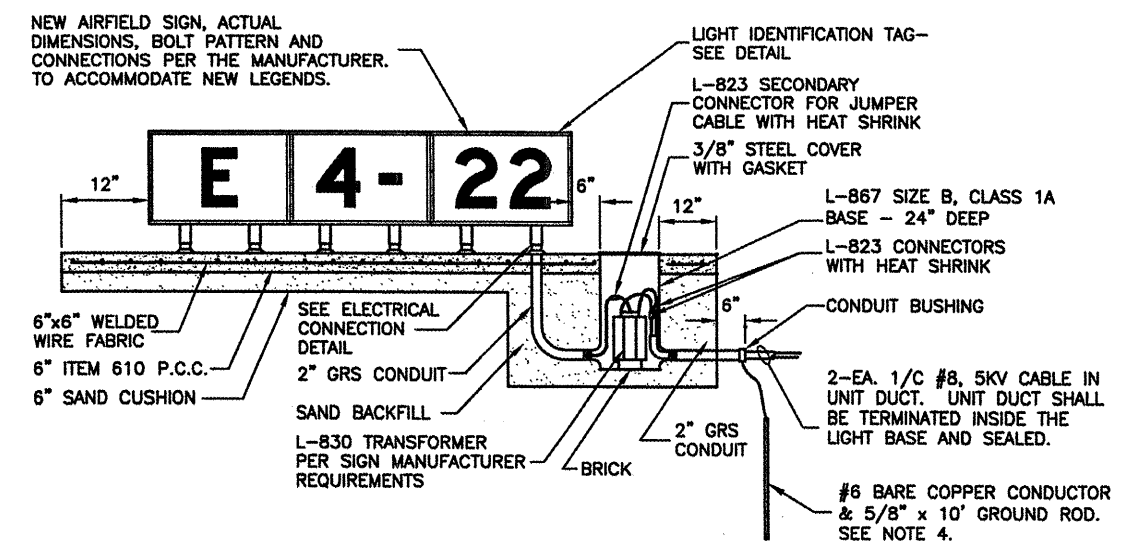


AIRFIELD SIGN NOTES

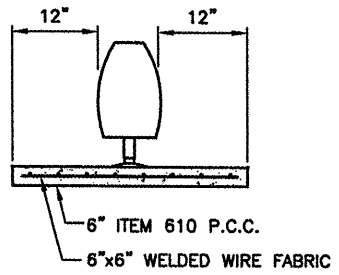
1. TRANSFORMER WATTAGE SHALL BE AS REQUIRED BY SIGN MANUFACTURER.
2. SIGN LEGEND SHALL BE AS SHOWN IN THE PLANS.
3. SIGNS SHALL BE SIZE 2, STYLE 2 OR 3, CLASS 2.
4. SEE "NEW BASE MOUNTED EDGE LIGHT" DETAIL FOR GROUNDING DETAILS.

NOTES

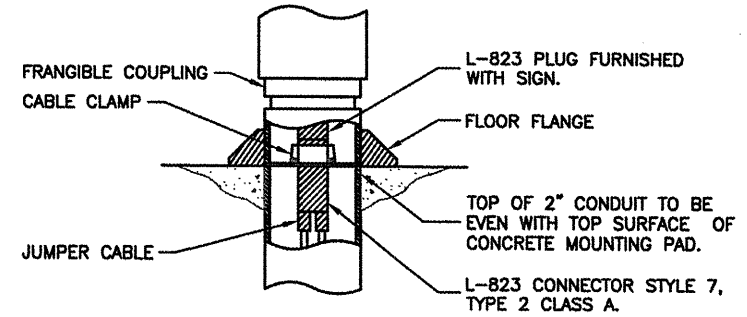
1. SIGN SCHEDULE IS SUBJECT TO FAA APPROVAL OF THE SIGNAGE PLAN.
2. CHANGES TO NEW LEGENDS MAY OCCUR SUBJECT TO 1 ABOVE.
3. CONTRACTOR SHALL SUBMIT SHOP DRAWINGS WITH NEW LEGENDS FOR APPROVAL PRIOR TO STARTING MANUFACTURE.
4. EXISTING SIGNS ARE LUMACURVE.




SECTION A-A
L-858 AIRFIELD SIGN DETAILS
N.T.S.



SECTION B-B



ELECTRICAL CONNECTION DETAIL
N.T.S.


CMT
 CRAWFORD, MURPHY & TILLY, INC.
 CONSULTING ENGINEERS
 License No. 84-000618

DESIGN BY:	CBC
DRAWN BY:	CMT
CHECKED BY:	REN
APPROVED BY:	REN
DATE:	01/30/2009
JOB No:	07035-09-00