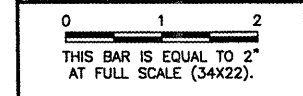


**CA008**

REVISIONS		
NUMBER	BY	DATE



**SPRINGFIELD AIRPORT AUTHORITY  
 ABRAHAM LINCOLN CAPITAL AIRPORT  
 SPRINGFIELD, ILLINOIS**

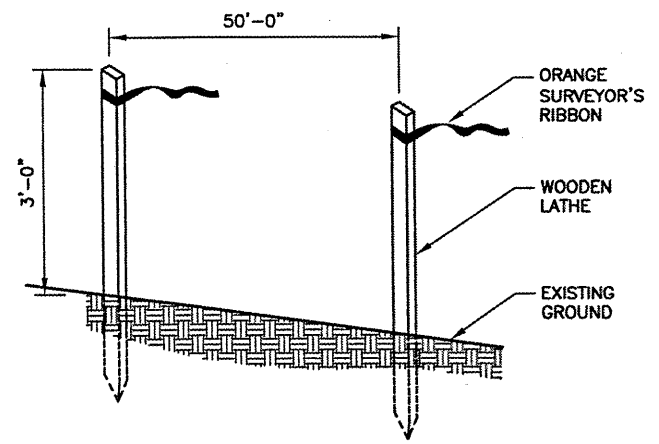
**RECONSTRUCT AND EXPAND THE SOUTHEAST RAMP  
 CONSTRUCTION ACTIVITY PLAN DETAILS**

**CMT**  
 CRAWFORD, MURPHY & TILLY, INC.  
 CONSULTING ENGINEERS  
 License No. 84-000613

DESIGN BY:	RLV/KLB
DRAWN BY:	CMT
CHECKED BY:	<i>RLV</i>
APPROVED BY:	<i>RLV</i>
DATE:	JANUARY 27, 2009
JOB No:	08035-08
IL PROJ. NO.	SPI-3885
AIP PROJ. NO.	3-17-0096-XX
SHEET	08 OF 40 SHEETS

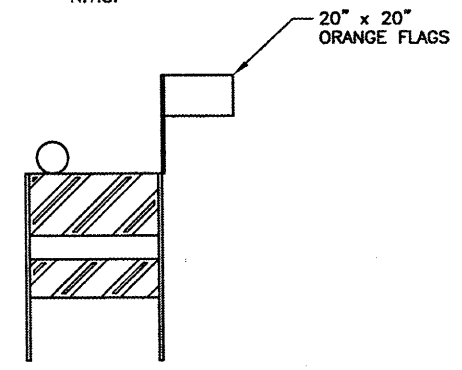
**CONSTRUCTION ACTIVITY PLAN NOTES**

1. THE CONTRACTOR SHALL PLACE ALL BARRICADES AS SHOWN PRIOR TO STARTING WORK ON THIS PHASE.
2. THE CONTRACTOR SHALL CONTINUOUSLY CLEAN THIS AREA FOR AIRCRAFT ACCESS.
3. THE CONTRACTOR SHALL CLEAN PAVEMENT AT THE END OF EACH WORK DAY.



**CONSTRUCTION SETBACK LINE DETAIL**

N.T.S.

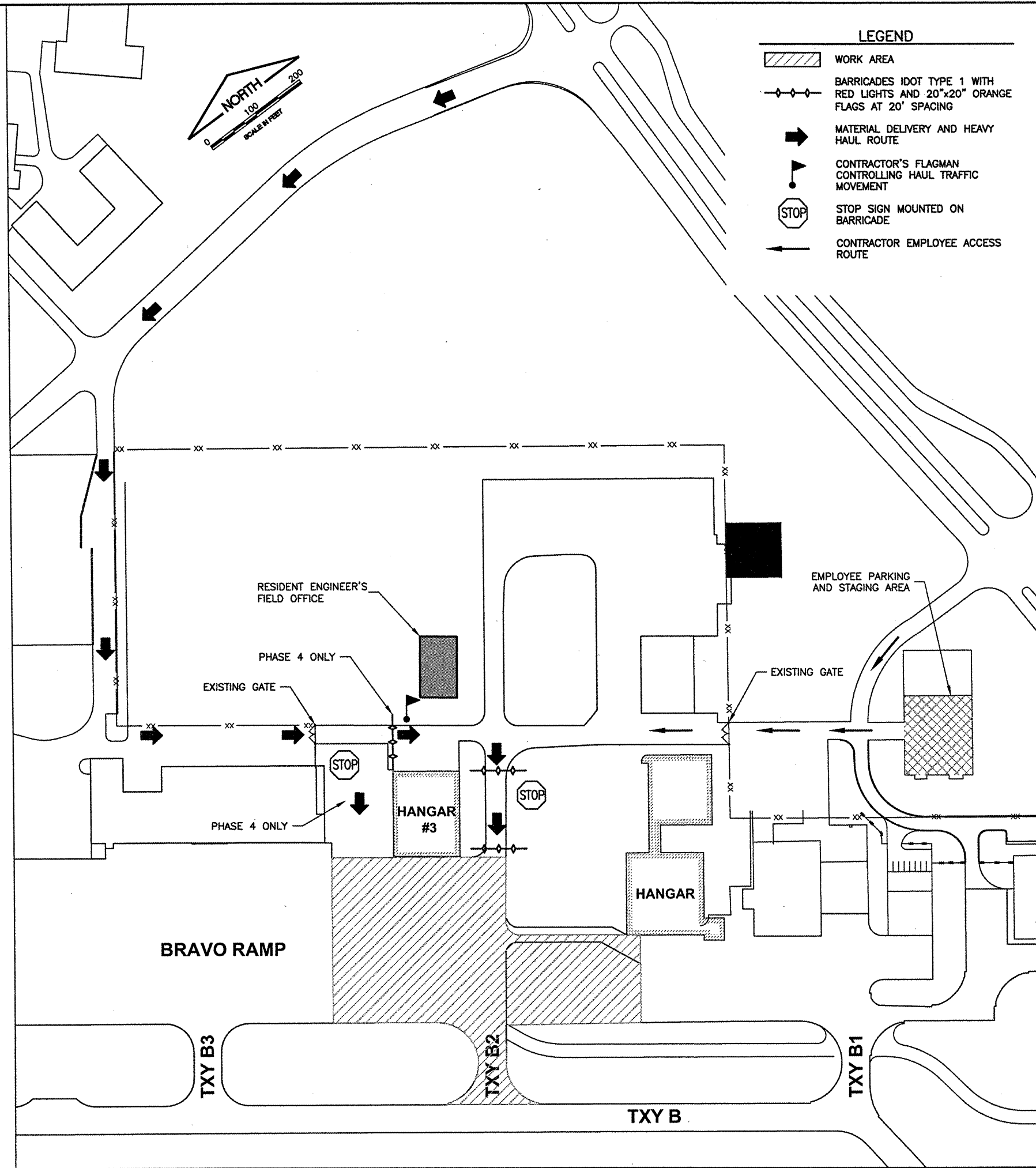


**FLASHER BARRICADE DETAIL**

N.T.S.

**FLASHER BARRICADE NOTES**

1. FLASHERS TO BE BATTERY OPERATED. LENS TO BE RED AND BE ABLE TO ROTATE 90 DEGREES.
2. SANDBAGS TO BE PLACED ON EACH SUPPORT BRACE AS REQUIRED TO PREVENT DISPLACEMENT BY WIND, JET OR PROP BLAST.
3. NO SEPARATE PAYMENT WILL BE MADE FOR THIS ITEM. COSTS SHALL BE CONSIDERED INCIDENTAL TO THE PROJECT.
4. PLACE AT 20' INTERVALS.



**LEGEND**

- WORK AREA
- BARRICADES IDOT TYPE 1 WITH RED LIGHTS AND 20"x20" ORANGE FLAGS AT 20' SPACING
- MATERIAL DELIVERY AND HEAVY HAUL ROUTE
- CONTRACTOR'S FLAGMAN CONTROLLING HAUL TRAFFIC MOVEMENT
- STOP SIGN MOUNTED ON BARRICADE
- CONTRACTOR EMPLOYEE ACCESS ROUTE