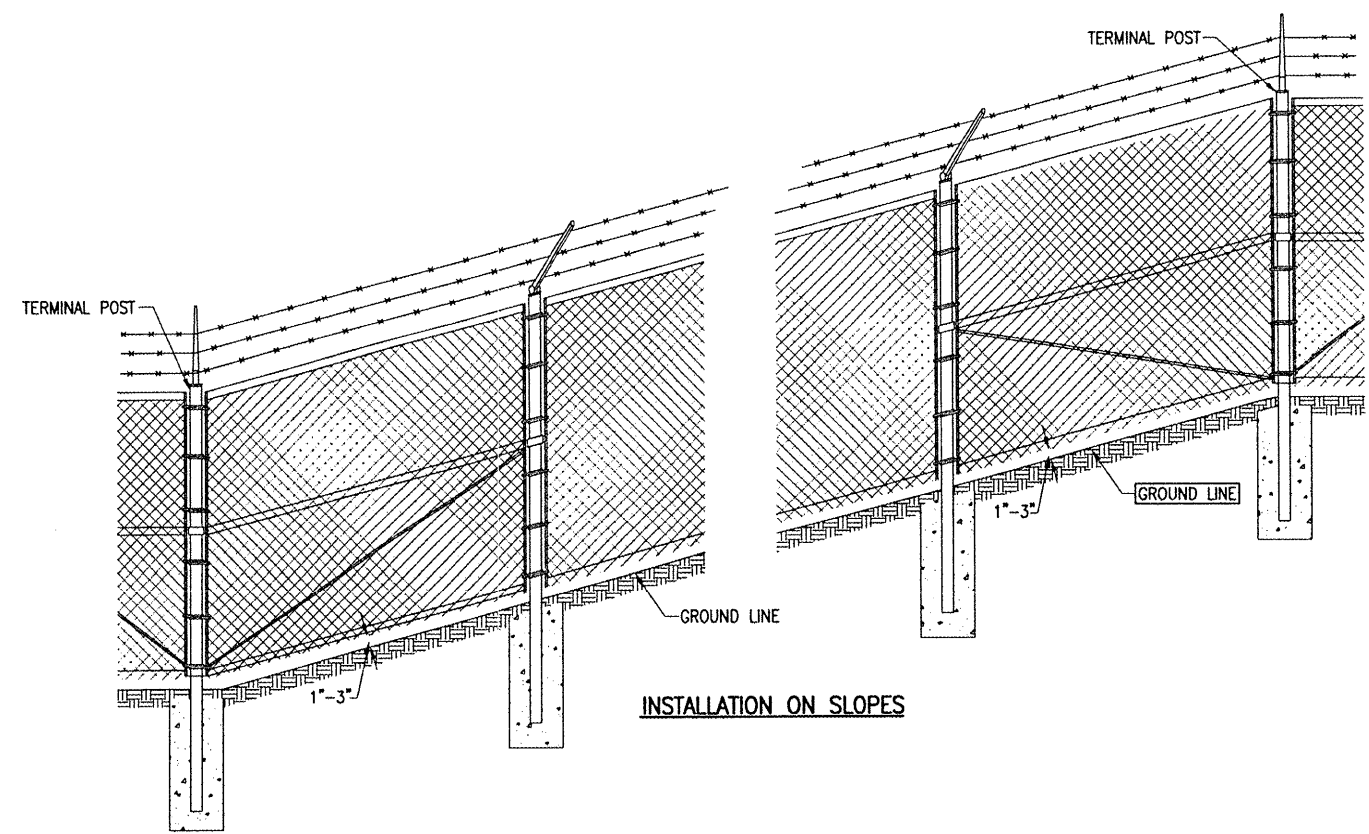
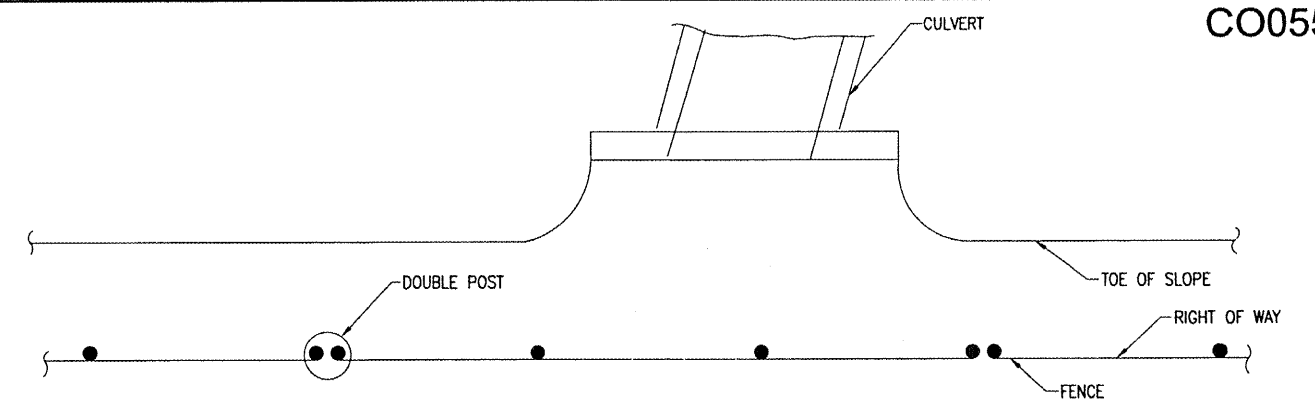


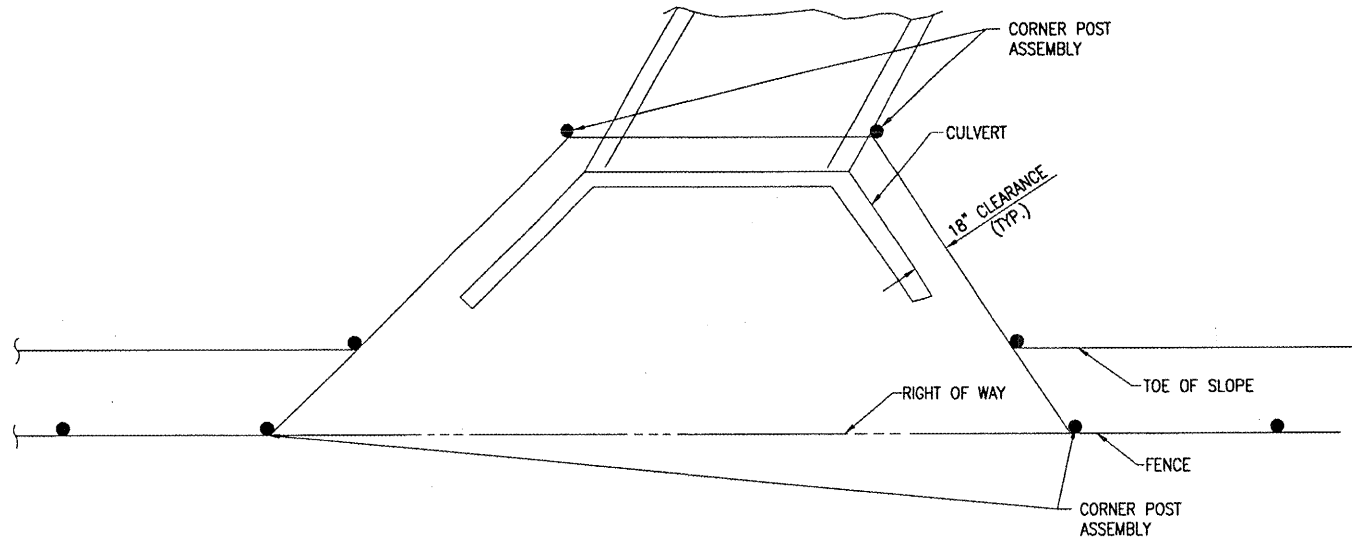
FEB 08, 2009 10:57 AM HAGL000382
 \\A:\PROJECTS\COLES\08A0147\AIRPORT\SHEETS\R-57BFEN.DWG - Layout1



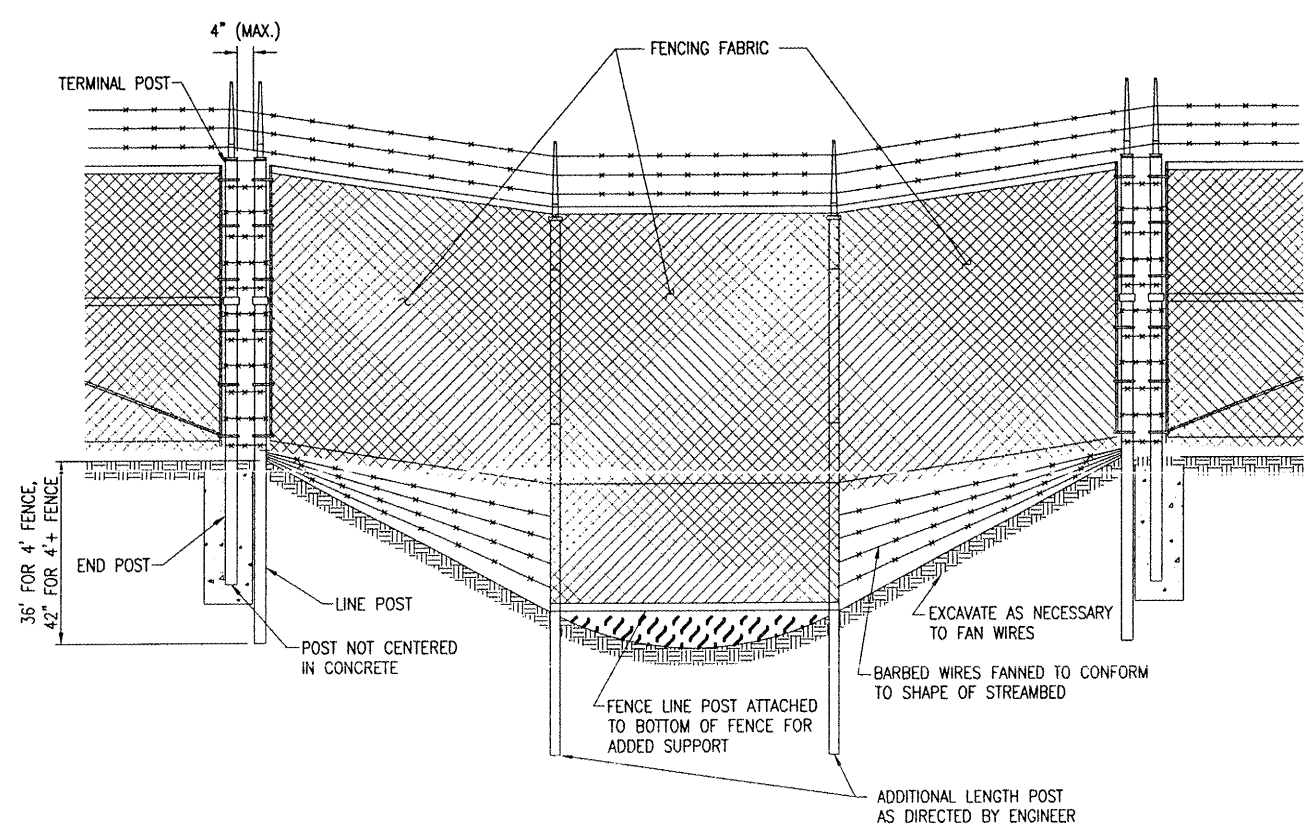
INSTALLATION ON SLOPES



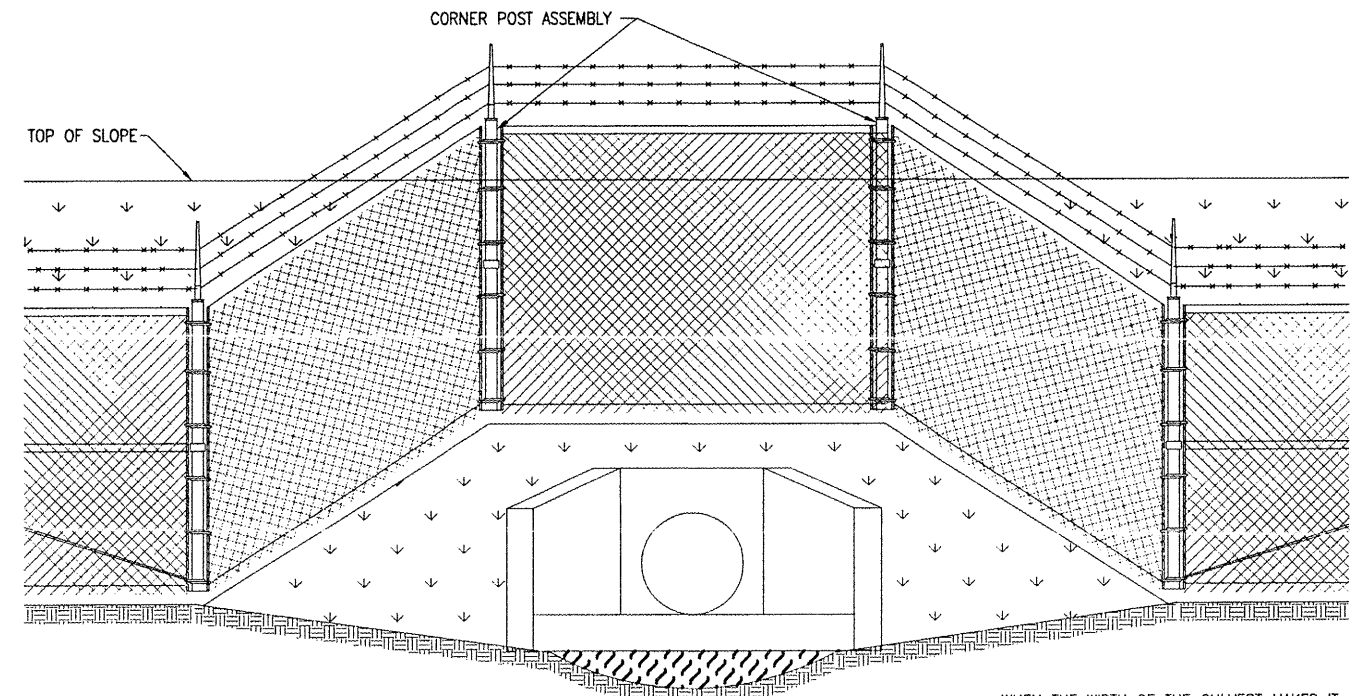
INSTALLATION OVER STREAM (PLAN)



INSTALLATION AROUND HEADWALL (PLAN)



INSTALLATION OVER STREAM (ELEVATION)



INSTALLATION AROUND HEADWALL (ELEVATION)

WHEN THE WIDTH OF THE CULVERT MAKES IT NECESSARY TO ANCHOR A POST TO THE TOP OF THE CULVERT, A CAST IRON SHOE OR OTHER DEVICE APPROVED BY THE ENGINEER SHALL BE USED.

CO055

DATE	REVISION	BY

COLES COUNTY AIRPORT
 AUTHORITY
 COLES COUNTY MEMORIAL AIRPORT
 A.I.P. PROJ.: 3-17-0066-B22
 I.L. PROJ.: MTO-3831

Hanson Project No. 08A0147D_0800	CAH	08/04/08
Drawings R-57BFEN.DWG	BAK	08/04/08
Scale NOT TO SCALE	CAH	xx/xx/xx
Date 08/04/08		
LAYOUT		
DRAWN		
REVIEWED		

HANSON
 Hanson Professional Services Inc.
 1525 South Sixth Street
 Springfield, Illinois 62703-2888
 Offices Nationwide

PERIMETER FENCE INSTALLATION
 PROPOSED FENCE DETAILS