

REVISIONS

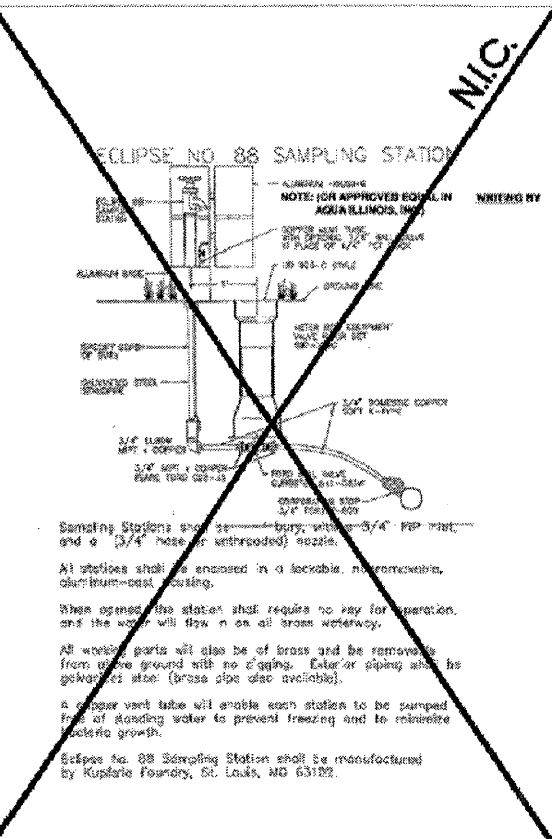
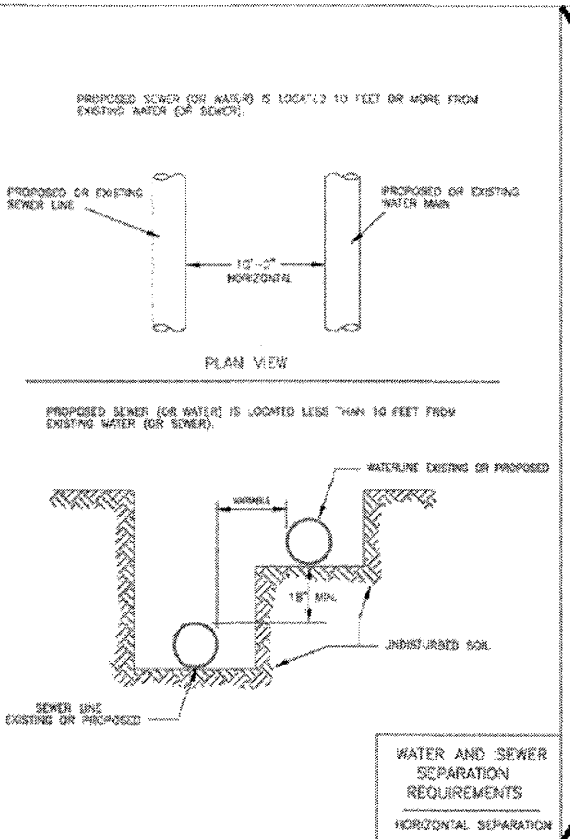
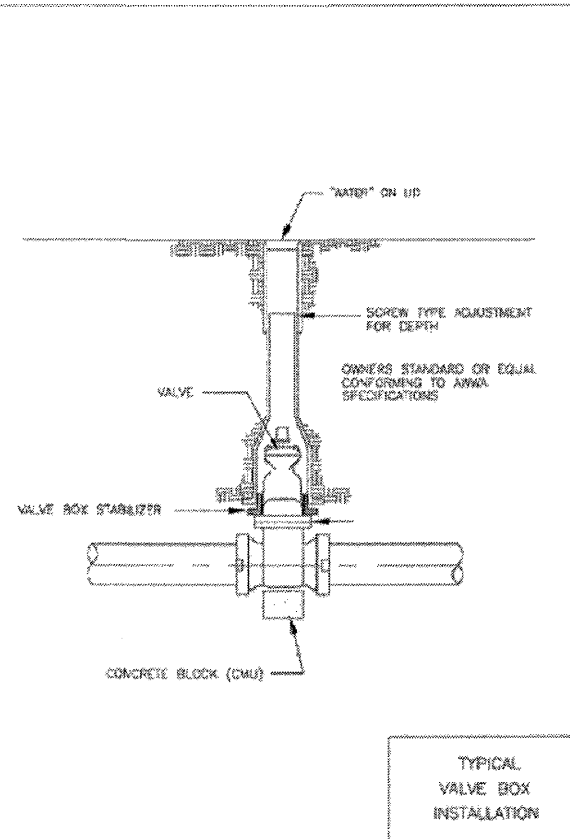
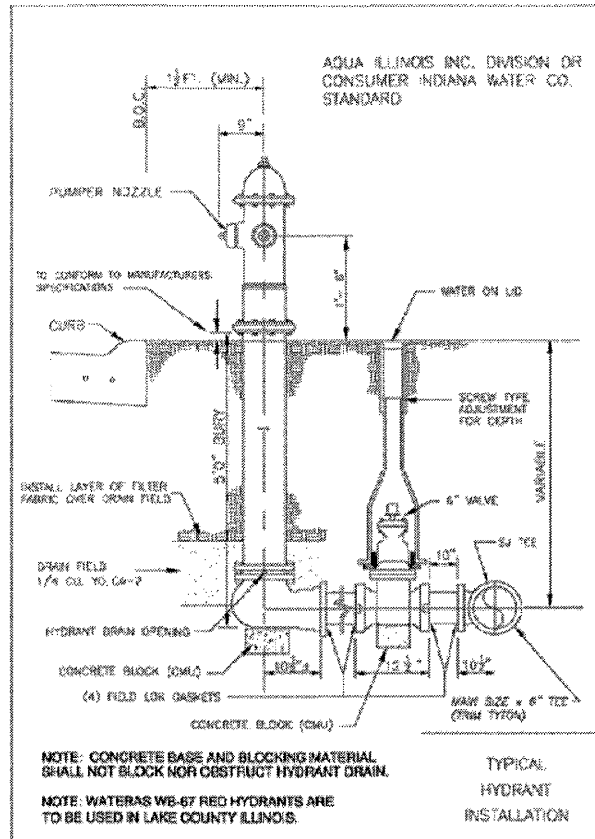
NUMBER	BY	DATE

0 1 2
 THIS BAR IS EQUAL TO 2"
 AT FULL SCALE (34x22).

GREATER KANKAKEE AIRPORT
 KANKAKEE, ILLINOIS
 CONSTRUCT SOUTHEAST QUADRANT FIRE PROTECTION
 AQUA ILLINOIS NOTES AND DETAILS
 SHEET 2

© Copyright CMT, Inc.
CMT
 CRAWFORD, MURPHY & TILLY, INC.
 CONSULTING ENGINEERS
 License No. 88-00613

DESIGN BY:	CAL
DRAWN BY:	JRO
CHECKED BY:	CAL
APPROVED BY:	CAL
DATE:	01/26/07
JOB No:	06075-02
IL PROJECT:	IKK-3661
A.I.P. PROJECT:	3-17-0057-B13
SHEET	7 OF 7 SHEETS



PIPE DIA. (IN)	NUMBER OF RESTRAINED JOINTS (EITHER SIDE OF FITTING)						VERT. UP	VERT. DOWN	TEEBRANCH
	DEADEND	60° BENDS	45° BENDS	22.5° BENDS	11.25° BENDS	VERT. DP			
8"	6	3	1	1	1	1	2	5	
12"	9	5	2	1	1	2	4	8	
16"	12	7	3	1	1	3	5	10	

