

# RETURN WITH BID

LETTING DATE March 6, 2009

ITEM NUMBER 11A

Proposal Submitted By

Name \_\_\_\_\_

Address \_\_\_\_\_

City/State \_\_\_\_\_

9 Digit Zip Code \_\_\_\_\_ Telephone Number \_\_\_\_\_

FEIN Number \_\_\_\_\_ FAX Number \_\_\_\_\_

E-Mail Address \_\_\_\_\_

**BIDDERS NEED NOT RETURN THE ENTIRE PROPOSAL**  
(See instructions inside front cover)

**NOTICE TO PROSPECTIVE BIDDERS**

This proposal can be used for bidding purposes by only those companies that request and receive written AUTHORIZATION TO BID from IDOT's Central Bureau of Construction.  
(SEE INSTRUCTIONS ON THE INSIDE OF COVER)

# PROPOSAL COVER SHEET



**Illinois Department of Transportation**  
**DIVISION OF AERONAUTICS**

AIRPORT Greater Kankakee

MUNICIPAL DESIGNATION Kankakee

COUNTY DESIGNATION Kankakee

ILLINOIS PROJECT NO. IKK-3864

FEDERAL PROJECT NO. 3-17-0057-B16

**FAA rules prohibit the use of escalation clauses for materials. Therefore, the Division of Aeronautics cannot offer a bituminous material cost adjustment provision for projects utilizing federal funds.**

PLEASE MARK THE APPROPRIATE BOX BELOW:

A Bid Bond is included.

A Cashier's Check or a Certified Check is included.

---

---

## INSTRUCTIONS

**ABOUT IDOT PROPOSALS:** All proposals issued by IDOT are potential bidding proposals. Each proposal contains all Certifications and Affidavits, a Proposal Signature Sheet and a Proposal Bid Bond required for Prime Contractors to submit a bid after written **Authorization to Bid** has been issued by IDOT's Central Bureau of Construction.

**HOW MANY PROPOSALS SHOULD PROSPECTIVE BIDDERS REQUEST?:** Prospective bidders should, prior to submitting their initial request for plans and proposals, determine their needs and request the total number of plans and proposals needed for each item requested. There will be a nonrefundable charge of \$15 for each set of plans and specifications issued.

**WHO CAN BID?:** Bids will be accepted from only those companies that request and receive written **Authorization to Bid** from IDOT's Central Bureau of Construction.

**WHAT CONSTITUTES WRITTEN AUTHORIZATION TO BID?:** When a prospective prime bidder submits a "Request for Proposal Forms and Plans" he/she must indicate at that time which items are being requested For Bidding purposes. Only those items requested For Bidding will be analyzed. After the request has been analyzed, the bidder will be issued a **Proposal Denial and/or Authorization Form**, approved by the Central Bureau of Construction, that indicates which items have been approved For Bidding. If **Authorization to Bid** cannot be approved, the **Proposal Denial and/or Authorization Form** will indicate the reason for denial. If a contractor has requested to bid but has not received a **Proposal Denial and/or Authorization Form**, they should contact the Central Bureau of Construction in advance of the letting date.

**WHAT MUST BE INCLUDED WHEN BIDS ARE SUBMITTED?:** Bidders need not return the entire proposal when bids are submitted. That portion of the proposal that must be returned includes the following:

1. All documents from the Proposal Cover Sheet through the Proposal Bid Bond
2. Other special documentation and/or information that may be required by the contract special provisions

All proposal documents, including Proposal Guaranty Checks or Proposal Bid Bonds, should be stapled together to prevent loss when bids are processed by IDOT personnel.

**ABOUT SUBMITTING BIDS:** It is recommended that bidders deliver bids in person to insure they arrive at the proper location prior to the time specified for the receipt of bids. Any bid received at the place of letting after the time specified will not be accepted.

### **WHO SHOULD BE CALLED IF ASSISTANCE IS NEEDED?**

| Questions Regarding                          | Call         |
|--|--------------|
| Prequalification and/or Authorization to Bid | 217/782-3413 |
| Preparation and submittal of bids            | 217/782-7806 |
| Mailing of plans and proposals               | 217/782-7806 |



PROPOSAL

1. Proposal of \_\_\_\_\_  
 \_\_\_\_\_

for the improvement officially known as:

- (a) Greater Kankakee Airport
- (b) The proposed improvement shown in detail on the plans issued by the Department schedule and detail sheets included herein, includes, in general, the following described work:

**Rehabilitate Terminal Apron and Taxiway H – Phase, Including Additive Alternate No. 1**

TO THE DEPARTMENT OF TRANSPORTATION

2. The plans for the proposed work are those issued by the Department of Transportation to cover the work described above.

The specifications are those prepared by the Department of Transportation, Division of Aeronautics and designated as “Standard Specifications for Construction of Airports,” adopted January, 1985, the “Supplemental Specifications and Recurring Special Provisions,” adopted July 1, 2004 and the “Special Provisions” thereto, adopted and in effect on the date of invitation for bids.

3. **COMPLETION TIME/LIQUIDATED DAMAGES.** It being understood and agreed that the completion within the time limit is an essential part of the contract, the bidder agrees to complete the Base Bid work within 133 calendar days, unless additional time is granted by the Engineer in accordance with the provisions of the specifications. If Additive Alternate No. 1 is awarded, an additional 15 calendar days will be granted. In case of failure to complete the work on or before the time named herein, or within such extra time as may have been allowed by extensions, the bidder agrees that the Department of Transportation shall withhold from such sum as may be due him/her under the terms of this contract, the costs, as set forth below, which costs shall be considered and treated not as a penalty but as damages due to the State from the bidder by reason of the failure of the bidder to complete the work within the time specified in the contract. The following Schedule of Deductions supersedes the table given in Section 60-09 of the Division’s Standard Specifications for Construction of Airports.

Schedule of Deductions for Each Day of Overrun in Contract Time

| <u>Original Contract Amount</u> |                         | <u>Daily Charge</u> |
|---------------------------------|-------------------------|---------------------|
| <u>From More Than</u>           | <u>To and Including</u> | <u>Calendar Day</u> |
| \$ 0                            | \$ 25,000               | \$ 300              |
| 25,000                          | 100,000                 | 375                 |
| 100,000                         | 500,000                 | 550                 |
| 500,000                         | 1,000,000               | 725                 |
| 1,000,000                       | 2,000,000               | 900                 |
| 2,000,000                       | 3,000,000               | 1,100               |
| 3,000,000                       | 5,000,000               | 1,300               |
| 5,000,000                       | 7,500,000               | 1,450               |
| 7,500,000                       | 10,000,000              | 1,650               |

A daily charge shall be made for every day shown on the calendar beyond the specified contract time in calendar days.

**RETURN WITH BID**

4. **ASSURANCE OF EXAMINATION AND INSPECTION/WAIVER.** The undersigned further declares that he/she has carefully examined the proposal, plans, specifications, supplemental and applicable recurring special provisions, form of contract and contract bonds, and special provisions, and that he/she has inspected in detail the site of the proposed work, and that he/she has familiarized themselves with all of the local conditions affecting the contract and the detailed requirements of construction, and understands that in making this proposal he/she waives all right to plead any misunderstanding regarding the same.
  
5. **EXECUTION OF CONTRACT AND CONTRACT BONDS.** The undersigned further agrees to execute a contract for this work and present the same to the department within fifteen (15) days after the contract has been mailed to him/her. The undersigned further agrees that he/she and his/her surety will execute and present within fifteen (15) days after the contract has been mailed to him/her contract bonds satisfactory to and in the form prescribed by the Department of Transportation, in the penal sum of the full amount of the contract, guaranteeing the faithful performance of the work in accordance with the terms of the contract and guaranteeing payment in full all bills and accounts for materials and labor used in the construction of the work.
  
6. **PROPOSAL GUARANTY.** Accompanying this proposal is either a bid bond on the department form, executed by a corporate surety company satisfactory to the department, or a proposal guaranty check consisting of a bank cashier's check or a properly certified check for not less than 5 per cent of the amount bid or for the amount specified in the following schedule:

| <u>Amount of Bid</u> | <u>Proposal Guaranty</u> | <u>Amount of Bid</u> | <u>Proposal Guaranty</u> |
|----------------------|--------------------------|----------------------|--------------------------|
| Up to \$5,000        | to \$150                 | \$2,000,000          | to \$100,000             |
| \$5,000              | to \$300                 | \$3,000,000          | to \$150,000             |
| \$10,000             | to \$1,000               | \$5,000,000          | to \$250,000             |
| \$50,000             | to \$3,000               | \$7,500,000          | to \$400,000             |
| \$100,000            | to \$5,000               | \$10,000,000         | to \$500,000             |
| \$150,000            | to \$7,500               | \$15,000,000         | to \$600,000             |
| \$250,000            | to \$12,500              | \$20,000,000         | to \$700,000             |
| \$500,000            | to \$25,000              | \$25,000,000         | to \$800,000             |
| \$1,000,000          | to \$50,000              | \$30,000,000         | to \$900,000             |
| \$1,500,000          | to \$75,000              | over                 | \$35,000,000             |
|                      |                          |                      | \$1,000,000              |

Bank cashier's checks or properly certified checks accompanying proposals shall be made payable to the Treasurer, State of Illinois, when the state is awarding authority; the county treasurer, when a county is the awarding authority; or the city, village, or town treasurer, when a city, village, or town is the awarding authority.

If a combination bid is submitted, the proposal guaranties which accompany the individual proposals making up the combination will be considered as also covering the combination bid.

The amount of the proposal guaranty check is \_\_\_\_\_ \$(\_\_\_\_\_). If this proposal is accepted and the undersigned shall fail to execute contract bonds as required herein, it is hereby agreed that the amount of the proposal guaranty shall become the property of the State of Illinois, and shall be considered as payment of damages due to delay and other causes suffered by the State because of the failure to execute said contract and contract bonds; otherwise, the bid bond shall become void or the proposal guaranty check shall be returned to the undersigned.



**RETURN WITH BID**

(e) The plans and Special Provisions for each separate contract shall be construed separately for all requirements, except as described in paragraphs (a) through (d) listed above.

**When a combination bid is submitted, the schedule below must be completed in each proposal comprising the combination.**

**If alternate bids are submitted for one or more of the sections comprising the combination, a combination bid must be submitted for each alternate.**

**Schedule of Combination Bids**

| <b>Combination No.</b> | <b>Sections Included in Combination</b> | <b>Combination Bid</b> |              |
|------------------------|---|------------------------|--------------|
|                        |   | <b>Dollars</b>         | <b>Cents</b> |
|                        |   |                        |              |
|                        |   |                        |              |
|                        |   |                        |              |
|                        |   |                        |              |

8. **SCHEDULE OF PRICES.** The undersigned submits herewith his/her schedule of prices covering the work to be performed under this contract; he/she understands that he/she must show in the schedule the unit prices (with no more than two decimal places, i.e. \$25.35, not \$25.348) for which he/she proposes to perform each item of work, that the extensions must be made by him/her, and that if not so done his/her proposal may be rejected as irregular.

The undersigned further agrees that the unit prices submitted herewith are for the purpose of obtaining a gross sum, and for use in computing the value of additions and deductions; that if there is a discrepancy between the gross sum bid and that resulting from the summation of the quantities multiplied by their respective unit prices, the latter shall govern.

STATE JOB #- - - -

ILLINOIS DEPARTMENT OF TRANSPORTATION  
 SCHEDULE OF PRICES  
 CONTRACT NUMBER - KA039

ECMS002 DTGECM03 ECMR003 PAGE 1  
 RUN DATE : 01/22/09  
 RUN TIME - 183310

|             |      |      |                  |               |             |
|-------------|------|------|------------------|---------------|-------------|
| COUNTY NAME | CODE | DIST | AIRPORT NAME     | FED PROJECT   | ILL PROJECT |
| KANKAKEE    | 091  | 03   | GREATER KANKAKEE | 3-17-0057-B16 | IK-K - 3864 |

\*\*\*\*\* BASE \*\*\*\*\*

| ITEM NUMBER | PAY ITEM DESCRIPTION            | UNIT OF MEASURE | QUANTITY   | UNIT PRICE |       | TOTAL PRICE |     |
|-------------|---------------------------------|-----------------|------------|------------|-------|-------------|-----|
|             |                                 |                 |            | DOLLARS    | CENTS | DOLLARS     | CTS |
| AR150510    | ENGINEER'S FIELD OFFICE         | L.S.            | 1.000      | X          | =     |             |     |
| AR150520    | MOBILIZATION                    | L.S.            | 1.000      | X          | =     |             |     |
| AR152410    | UNCLASSIFIED EXCAVATION         | C.Y.            | 4,600.000  | X          | =     |             |     |
| AR156520    | INLET PROTECTION                | EACH            | 3.000      | X          | =     |             |     |
| AR156531    | EROSION CONTROL BLANKET         | S.Y.            | 1,090.000  | X          | =     |             |     |
| AR201610    | BITUMINOUS BASE COURSE          | TON             | 4,810.000  | X          | =     |             |     |
| AR201630    | BITUMINOUS BASE TEST SECTION    | EACH            | 1.000      | X          | =     |             |     |
| AR201661    | CLEAN & SEAL BITUMINOUS CRACKS  | L.F.            | 5,600.000  | X          | =     |             |     |
| AR208515    | POROUS GRANULAR EMBANKMENT      | C.Y.            | 100.000    | X          | =     |             |     |
| AR209612    | CRUSHED AGG. BASE COURSE - 12"  | S.Y.            | 5,630.000  | X          | =     |             |     |
| AR209614    | CRUSHED AGG. BASE COURSE - 14"  | S.Y.            | 2,350.000  | X          | =     |             |     |
| AR401610    | BITUMINOUS SURFACE COURSE       | TON             | 2,620.000  | X          | =     |             |     |
| AR401630    | BITUMINOUS SURFACE TEST SECTION | EACH            | 1.000      | X          | =     |             |     |
| AR401650    | BITUMINOUS PAVEMENT MILLING     | S.Y.            | 11,700.000 | X          | =     |             |     |
| AR401655    | BUTT JOINT CONSTRUCTION         | S.Y.            | 1,950.000  | X          | =     |             |     |

GREATER KANKAKEE  
KANKAKEE

ILLINOIS DEPARTMENT OF TRANSPORTATION  
SCHEDULE OF PRICES  
CONTRACT NUMBER - KA039

ECMS002 DTGECM03 ECMR003 PAGE 2  
RUN DATE - 01/22/09  
RUN TIME - 183310

| ITEM NUMBER | PAY ITEM DESCRIPTION             | UNIT OF MEASURE | QUANTITY    | UNIT PRICE |       | TOTAL PRICE |     |
|-------------|----------------------------------|-----------------|-------------|------------|-------|-------------|-----|
|             |                                  |                 |             | DOLLARS    | CENTS | DOLLARS     | CTS |
| AR401915    | REM & REP BIT PAVEMENT - TYPE A  | S.Y.            | 50.000 X    |            | =     |             |     |
| AR401916    | REM & REP BIT PAVEMENT - TYPE B  | S.Y.            | 50.000 X    |            | =     |             |     |
| AR510510    | TIE DOWN                         | EACH            | 74.000 X    |            | =     |             |     |
| AR510515    | GROUND ROD                       | EACH            | 14.000 X    |            | =     |             |     |
| AR510900    | REMOVE TIE DOWN                  | EACH            | 98.000 X    |            | =     |             |     |
| AR602510    | BITUMINOUS PRIME COAT            | GAL.            | 2,520.000 X |            | =     |             |     |
| AR603510    | BITUMINOUS TACK COAT             | GAL.            | 6,430.000 X |            | =     |             |     |
| AR620520    | PAVEMENT MARKING-WATERBORNE      | S.F.            | 4,400.000 X |            | =     |             |     |
| AR620900    | PAVEMENT MARKING REMOVAL         | S.F.            | 700.000 X   |            | =     |             |     |
| AR625510    | TAR EMULSION SEAL COAT           | S.Y.            | 5,800.000 X |            | =     |             |     |
| AR701512    | 12" RCP, CLASS IV                | L.F.            | 250.000 X   |            | =     |             |     |
| AR751416    | TYPE 1 INLET                     | EACH            | 2.000 X     |            | =     |             |     |
| AR751943    | ADJUST MANHOLE                   | EACH            | 2.000 X     |            | =     |             |     |
| AR752412    | PRECAST REINFORCED CONC. FES 12" | EACH            | 1.000 X     |            | =     |             |     |
| AR800055    | BITUMINOUS MILLING PLACEMENT     | C.Y.            | 1,400.000 X |            | =     |             |     |



GREATER KANKAKEE  
KANKAKEE

ILLINOIS DEPARTMENT OF TRANSPORTATION  
SCHEDULE OF PRICES  
CONTRACT NUMBER - KA039

ECMS002 DTGECM03 ECMR003 PAGE 3  
RUN DATE - 01/22/09  
RUN TIME - 183310

| ITEM NUMBER | PAY ITEM DESCRIPTION              | UNIT OF MEASURE | QUANTITY    | UNIT PRICE    |       | TOTAL PRICE |     |
|-------------|-----------------------------------|-----------------|-------------|---------------|-------|-------------|-----|
|             |                                   |                 |             | DOLLARS       | CENTS | DOLLARS     | CTS |
| AR800143    | REMOVE BITUMINOUS PAVEMENT (3")   | S.Y.            | 1,510.000 X |               |       | =           |     |
| AR800144    | REMOVE BITUMINOUS PAVEMENT (6"- 8 | S.Y.            | 6,500.000 X |               |       | =           |     |
| AR905530    | TOPSOILING                        | S.Y.            | 1,090.000 X |               |       | =           |     |
|             |                                   |                 |             | SUBTOTAL BASE |       | \$          |     |

\*\*\*THE DEPARTMENT RESERVES THE RIGHT TO AWARD THIS CONTRACT ON THE  
\*\*\*BASIS OF ANY OF THE ALTERNATES OR COMBINATION THEREOF.

GREATER KANKAKEE  
KANKAKEE

ILLINOIS DEPARTMENT OF TRANSPORTATION  
SCHEDULE OF PRICES  
CONTRACT NUMBER - KA039

ECMS002 DTGECM03 ECMR003 PAGE 4  
RUN DATE - 01/22/09  
RUN TIME - 183310

\*\*\*\*\* ALT 1 \*\*\*\*\*

| ITEM NUMBER | PAY ITEM DESCRIPTION             | UNIT OF MEASURE | QUANTITY  | UNIT PRICE |       | TOTAL PRICE |     |
|-------------|----------------------------------|-----------------|-----------|------------|-------|-------------|-----|
|             |                                  |                 |           | DOLLARS    | CENTS | DOLLARS     | CTS |
| AS156531    | EROSION CONTROL BLANKET          | S.Y.            | 230.000   | X          | =     |             |     |
| AS201610    | BITUMINOUS BASE COURSE           | TON             | 1,250.000 | X          | =     |             |     |
| AS201661    | CLEAN AND SEAL BITUMINOUS CRACKS | L.F.            | 2,600.000 | X          | =     |             |     |
| AS401610    | BITUMINOUS SURFACE COURSE        | TON             | 630.000   | X          | =     |             |     |
| AS401650    | BITUMINOUS PAVEMENT MILLING      | S.Y.            | 4,080.000 | X          | =     |             |     |
| AS401655    | BUTT JOINT CONSTRUCTION          | S.Y.            | 1,065.000 | X          | =     |             |     |
| AS510510    | TIE DOWN                         | EACH            | 7.000     | X          | =     |             |     |
| AS510515    | GROUND ROD                       | EACH            | 1.000     | X          | =     |             |     |
| AS510900    | REMOVE TIE DOWN                  | EACH            | 15.000    | X          | =     |             |     |
| AS603510    | BITUMINOUS TACK COAT             | GAL.            | 1,620.000 | X          | =     |             |     |
| AS905530    | TOPSOILING                       | S.Y.            | 230.000   | X          | =     |             |     |

SUBTOTAL ALT 1 \$

GREATER KANKAKEE  
KANKAKEE

ILLINOIS DEPARTMENT OF TRANSPORTATION  
SCHEDULE OF PRICES  
CONTRACT NUMBER - KA039

ECMS002 DTGECM03 ECMR003 PAGE 5  
RUN DATE - 01/22/09  
RUN TIME - 183310  
CONTRACT - KA039

| SUMMARY OF TOTAL ALTERNATES |         |     |
|-----------------------------|---------|-----|
|                             | DOLLARS | CTS |
| TOTAL BASE \$               |         |     |
| TOTAL ALT 1 \$              |         |     |

NOTE:

1. EACH PAY ITEM SHOULD HAVE A UNIT PRICE AND A TOTAL PRICE.
2. THE UNIT PRICE SHALL GOVERN IF NO TOTAL PRICE IS SHOWN OR IF THERE IS A DISCREPANCY BETWEEN THE PRODUCT OF THE UNIT PRICE MULTIPLIED BY THE QUANTITY.
3. IF A UNIT PRICE IS OMITTED, THE TOTAL PRICE WILL BE DIVIDED BY THE QUANTITY IN ORDER TO ESTABLISH A UNIT PRICE.
4. A BID MAY BE DECLARED UNACCEPTABLE IF NEITHER A UNIT PRICE NOR A TOTAL PRICE IS SHOWN.

**RETURN WITH BID**

**THE PRECEDING SCHEDULE OF PRICES MUST BE**

**COMPLETED AND RETURNED.**

**RETURN WITH BID**

**STATE REQUIRED ETHICAL  
STANDARDS GOVERNING CONTRACT  
PROCUREMENT: ASSURANCES, CERTIFICATIONS  
AND DISCLOSURES**

**I. GENERAL**

A. Article 50 of the Illinois Procurement Code establishes the duty of all State chief procurement officers, State purchasing officers, and their designees to maximize the value of the expenditure of public moneys in procuring goods, services, and contracts for the State of Illinois and to act in a manner that maintains the integrity and public trust of State government. In discharging this duty, they are charged by law to use all available information, reasonable efforts, and reasonable actions to protect, safeguard, and maintain the procurement process of the State of Illinois.

B. In order to comply with the provisions of Article 50 and to carry out the duty established therein, all bidders are to adhere to ethical standards established for the procurement process, and to make such assurances, disclosures and certifications required by law. By execution of the Proposal Signature Sheet, the bidder indicates that each of the mandated assurances has been read and understood, that each certification is made and understood, and that each disclosure requirement has been understood and completed.

C. In addition to all other remedies provided by law, failure to comply with any assurance, failure to make any disclosure or the making of a false certification shall be grounds for termination of the contract and the suspension or debarment of the bidder.

**II. ASSURANCES**

A. The assurances hereinafter made by the bidder are each a material representation of fact upon which reliance is placed should the Department enter into the contract with the bidder. The Department may terminate the contract if it is later determined that the bidder rendered a false or erroneous assurance, and the surety providing the performance bond shall be responsible for the completion of the contract.

**B. Felons**

1. The Illinois Procurement Code provides:

Section 50-10. Felons. Unless otherwise provided, no person or business convicted of a felony shall do business with the State of Illinois or any state agency from the date of conviction until 5 years after the date of completion of the sentence for that felony, unless no person held responsible by a prosecutorial office for the facts upon which the conviction was based continues to have any involvement with the business.

2. The bidder assures the Department that the award and execution of the contract would not cause a violation of Section 50-10.

**C. Conflicts of Interest**

1. The Illinois Procurement Code provides in pertinent part:

Section 50-13. Conflicts of Interest.

(a) Prohibition. It is unlawful for any person holding an elective office in this State, holding a seat in the General Assembly, or appointed to or employed in any of the offices or agencies of state government and who receives compensation for such employment in excess of 60% of the salary of the Governor of the State of Illinois, or who is an officer or employee of the Capital Development Board or the Illinois Toll Highway Authority, or who is the spouse or minor child of any such person to have or acquire any contract, or any direct pecuniary interest in any contract therein, whether for stationery, printing, paper, or any services, materials, or supplies, that will be wholly or partially satisfied by the payment of funds appropriated by the General Assembly of the State of Illinois or in any contract of the Capital Development Board or the Illinois Toll Highway authority.

(b) Interests. It is unlawful for any firm, partnership, association or corporation, in which any person listed in subsection (a) is entitled to receive (i) more than 7 1/2% of the total distributable income or (ii) an amount in excess of the salary of the Governor, to have or acquire any such contract or direct pecuniary interest therein.

(c) Combined interests. It is unlawful for any firm, partnership, association, or corporation, in which any person listed in subsection (a) together with his or her spouse or minor children is entitled to receive (i) more than 15%, in the aggregate, of the total distributable income or (ii) an amount in excess of 2 times the salary of the Governor, to have or acquire any such contract or direct pecuniary interest therein.

(d) Securities. Nothing in this Section invalidates the provisions of any bond or other security previously offered or to be offered for sale or sold by or for the State of Illinois.

(e) Prior interests. This Section does not affect the validity of any contract made between the State and an officer or employee of the State or member of the General Assembly, his or her spouse, minor child or any combination of those persons if that contract was in existence before his or her election or employment as an officer, member, or employee. The contract is voidable, however, if it cannot be completed within 365 days after the officer, member, or employee takes office or is employed.

The current salary of the Governor is \$150,700.00. Sixty percent of the salary is \$90,420.00.

2. The bidder assures the Department that the award and execution of the contract would not cause a violation of Section 50-13, or that an effective exemption has been issued by the Board of Ethics to any individual subject to the Section 50-13 prohibitions pursuant to the provisions of Section 50-20 of the Code and Executive Order Number 3 (1998). Information concerning the exemption process is available from the Department upon request.

**D. Negotiations**

1. The Illinois Procurement Code provides in pertinent part:

Section 50-15. Negotiations.

(a) It is unlawful for any person employed in or on a continual contractual relationship with any of the offices or agencies of State government to participate in contract negotiations on behalf of that office or agency with any firm, partnership, association, or corporation with whom that person has a contract for future employment or is negotiating concerning possible future employment.

2. The bidder assures the Department that the award and execution of the contract would not cause a violation of Section 50-15, and that the bidder has no knowledge of any facts relevant to the kinds of acts prohibited therein.

## RETURN WITH BID

### **E. Inducements**

1. The Illinois Procurement Code provides:

Section 50-25. Inducement. Any person who offers or pays any money or other valuable thing to any person to induce him or her not to bid for a State contract or as recompense for not having bid on a State contract is guilty of a Class 4 felony. Any person who accepts any money or other valuable thing for not bidding for a State contract or who withholds a bid in consideration of the promise for the payment of money or other valuable thing is guilty of a Class 4 felony.

2. The bidder assures the Department that the award and execution of the contract would not cause a violation of Section 50-25, and that the bidder has no knowledge of any facts relevant to the kinds of acts prohibited therein.

### **F. Revolving Door Prohibition**

1. The Illinois Procurement Code provides:

Section 50-30. Revolving door prohibition. Chief procurement officers, associate procurement officers, State purchasing officers, their designees whose principal duties are directly related to State procurement, and executive officers confirmed by the Senate are expressly prohibited for a period of 2 years after terminating an affected position from engaging in any procurement activity relating to the State agency most recently employing them in an affected position for a period of at least 6 months. The prohibition includes, but is not limited to: lobbying the procurement process; specifying; bidding; proposing bid, proposal, or contract documents; on their own behalf or on behalf of any firm, partnership, association, or corporation. This Section applies only to persons who terminate an affected position on or after January 15, 1999.

2. The bidder assures the Department that the award and execution of the contract would not cause a violation of Section 50-30, and that the bidder has no knowledge of any facts relevant to the kinds of acts prohibited therein.

### **G. Reporting Anticompetitive Practices**

1. The Illinois Procurement Code provides:

Section 50-40. Reporting anticompetitive practices. When, for any reason, any vendor, bidder, contractor, chief procurement officer, State purchasing officer, designee, elected official, or State employee suspects collusion or other anticompetitive practice among any bidders, offers, contractors, proposers, or employees of the State, a notice of the relevant facts shall be transmitted to the Attorney General and the chief procurement officer.

2. The bidder assures the Department that it has not failed to report any relevant facts concerning the practices addressed in Section 50-40 which may involve the contract for which the bid is submitted.

### **H. Confidentiality**

1. The Illinois Procurement Code provides:

Section 50-45. Confidentiality. Any chief procurement officer, State purchasing officer, designee, or executive officer who willfully uses or allows the use of specifications, competitive bid documents, proprietary competitive information, proposals, contracts, or selection information to compromise the fairness or integrity of the procurement, bidding, or contract process shall be subject to immediate dismissal, regardless of the Personnel code, any contract, or any collective bargaining agreement, and may in addition be subject to criminal prosecution.

2. The bidder assures the Department that it has no knowledge of any fact relevant to the practices addressed in Section 50-45 which may involve the contract for which the bid is submitted.

## RETURN WITH BID

### **I. Insider Information**

1. The Illinois Procurement Act provides:

Section 50-50. Insider information. It is unlawful for any current or former elected or appointed State official or State employee to knowingly use confidential information available only by virtue of that office or employment for actual or anticipated gain for themselves or another person.

2. The bidder assures the Department that it has no knowledge of any facts relevant to the practices addressed in Section 50-50 which may involve the contract for which the bid is submitted.

### **III. CERTIFICATIONS**

**A.** The certifications hereinafter made by the bidder are each a material representation of fact upon which reliance is placed should the Department enter into the contract with the bidder. The Department may terminate the contract if it is later determined that the bidder rendered a false or erroneous certification, and the surety providing the performance bond shall be responsible for completion of the contract.

#### **B. Bribery**

1. The Illinois Procurement Code provides:

Section 50-5. Bribery.

(a) Prohibition. No person or business shall be awarded a contract or subcontract under this Code who:

(1) has been convicted under the laws of Illinois or any other state of bribery or attempting to bribe an officer or employee of the State of Illinois or any other state in that officer's or employee's official capacity; or

(2) has made an admission of guilt of that conduct that is a matter of record but has not been prosecuted for that conduct.

(b) Businesses. No business shall be barred from contracting with any unit of State or local government as a result of a conviction under this Section of any employee or agent of the business if the employee or agent is no longer employed by the business and:

(1) the business has been finally adjudicated not guilty; or

(2) the business demonstrates to the governmental entity with which it seeks to contract, and that entity finds that the commission of the offense was not authorized, requested, commanded, or performed by a director, officer, or high managerial agent on behalf of the business as provided in paragraph (2) of subsection (a) of Section 5-4 of the Criminal Code of 1961.

(c) Conduct on behalf of business. For purposes of this Section, when an official, agent, or employee of a business committed the bribery or attempted bribery on behalf of the business and in accordance with the direction or authorization of a responsible official of the business, the business shall be chargeable with the conduct.

(d) Certification. Every bid submitted to and contract executed by the State shall contain a certification by the contractor that the contractor is not barred from being awarded a contract or subcontract under this Section. A contractor who makes a false statement, material to the certification, commits a Class 3 felony.

2. The bidder certifies that it is not barred from being awarded a contract under Section 50.5.



## RETURN WITH BID

### C. Educational Loan

1. Section 3 of the Educational Loan Default Act provides:

§ 3. No State agency shall contract with an individual for goods or services if that individual is in default, as defined in Section 2 of this Act, on an educational loan. Any contract used by any State agency shall include a statement certifying that the individual is not in default on an educational loan as provided in this Section.

2. The bidder, if an individual as opposed to a corporation, partnership or other form of business organization, certifies that the bidder is not in default on an educational loan as provided in Section 3 of the Act.

### D. Bid-Rigging/Bid Rotating

1. Section 33E-11 of the Criminal Code of 1961 provides:

§ 33E-11. (a) Every bid submitted to and public contract executed pursuant to such bid by the State or a unit of local government shall contain a certification by the prime contractor that the prime contractor is not barred from contracting with any unit of State or local government as a result of a violation of either Section 33E-3 or 33E-4 of this Article. The State and units of local government shall provide the appropriate forms for such certification.

(b) A contractor who makes a false statement, material to the certification, commits a Class 3 felony.

A violation of Section 33E-3 would be represented by a conviction of the crime of bid-rigging which, in addition to Class 3 felony sentencing, provides that any person convicted of this offense or any similar offense of any state or the United States which contains the same elements as this offense shall be barred for 5 years from the date of conviction from contracting with any unit of State or local government. No corporation shall be barred from contracting with any unit of State or local government as a result of a conviction under this Section of any employee or agent of such corporation if the employee so convicted is no longer employed by the corporation and: (1) it has been finally adjudicated not guilty or (2) if it demonstrates to the governmental entity with which it seeks to contract and that entity finds that the commission of the offense was neither authorized, requested, commanded, nor performed by a director, officer or a high managerial agent in behalf of the corporation.

A violation of Section 33E-4 would be represented by a conviction of the crime of bid-rotating which, in addition to Class 2 felony sentencing, provides that any person convicted of this offense or any similar offense of any state or the United States which contains the same elements as this offense shall be permanently barred from contracting with any unit of State or local government. No corporation shall be barred from contracting with any unit of State or local government as a result of a conviction under this Section of any employee or agent of such corporation if the employee so convicted is no longer employed by the corporation and: (1) it has been finally adjudicated not guilty or (2) if it demonstrates to the governmental entity with which it seeks to contract and that entity finds that the commission of the offense was neither authorized, requested, commanded, nor performed by a director, officer or a high managerial agent in behalf of the corporation.

2. The bidder certifies that it is not barred from contracting with the Department by reason of a violation of either Section 33E-3 or Section 33E-4.

### E. International Anti-Boycott

1. Section 5 of the International Anti-Boycott Certification Act provides:

§ 5. State contracts. Every contract entered into by the State of Illinois for the manufacture, furnishing, or purchasing of supplies, material, or equipment or for the furnishing of work, labor, or services, in an amount exceeding the threshold for small purchases according to the purchasing laws of this State or \$10,000.00, whichever is less, shall contain certification, as a material condition of the contract, by which the contractor agrees that neither the contractor nor any substantially-owned affiliated company is participating or shall participate in an international boycott in violation of the provisions of the U.S. Export Administration Act of 1979 or the regulations of the U.S. Department of Commerce promulgated under that Act.

2. The bidder makes the certification set forth in Section 5 of the Act.

## RETURN WITH BID

### **F. Drug Free Workplace**

1. The Illinois “Drug Free Workplace Act” applies to this contract and it is necessary to comply with the provisions of the “Act” if the contractor is a corporation, partnership, or other entity (including a sole proprietorship) which has 25 or more employees.

2. The bidder certifies that if awarded a contract in excess of \$5,000 it will provide a drug free workplace by:

(a) Publishing a statement notifying employees that the unlawful manufacture, distribution, dispensation, possession or use of a controlled substance, including cannabis, is prohibited in the contractor’s workplace; specifying the actions that will be taken against employees for violations of such prohibition; and notifying the employee that, as a condition of employment on such contract, the employee shall abide by the terms of the statement, and notify the employer of any criminal drug statute conviction for a violation occurring in the workplace no later than five (5) days after such conviction.

(b) Establishing a drug free awareness program to inform employees about the dangers of drug abuse in the workplace; the contractor’s policy of maintaining a drug free workplace; any available drug counseling, rehabilitation, and employee assistance programs; and the penalties that may be imposed upon employees for drug violations.

(c) Providing a copy of the statement required by subparagraph (1) to each employee engaged in the performance of the contract and to post the statement in a prominent place in the workplace.

(d) Notifying the Department within ten (10) days after receiving notice from an employee or otherwise receiving actual notice of the conviction of an employee for a violation of any criminal drug statute occurring in the workplace.

(e) Imposing or requiring, within 30 days after receiving notice from an employee of a conviction or actual notice of such a conviction, an appropriate personnel action, up to and including termination, or the satisfactory participation in a drug abuse assistance or rehabilitation program approved by a federal, state or local health, law enforcement or other appropriate agency.

(f) Assisting employees in selecting a course of action in the event drug counseling, treatment, and rehabilitation is required and indicating that a trained referral team is in place.

(g) Making a good faith effort to continue to maintain a drug free workplace through implementation of the actions and efforts stated in this certification.

### **G. Debt Delinquency**

1. The Illinois Procurement Code provides:

Section 50-11 and 50-12. Debt Delinquency.

The contractor or bidder certifies that it, or any affiliate, is not barred from being awarded a contract under 30 ILCS 500. Section 50-11 prohibits a person from entering into a contract with a State agency if it knows or should know that it, or any affiliate, is delinquent in the payment of any debt to the State as defined by the Debt Collection Board. Section 50-12 prohibits a person from entering into a contract with a State agency if it, or any affiliate, has failed to collect and remit Illinois Use Tax on all sales of tangible personal property into the State of Illinois in accordance with the provisions of the Illinois Use Tax Act. The contractor further acknowledges that the contracting State agency may declare the contract void if this certification is false or if the contractor, or any affiliate, is determined to be delinquent in the payment of any debt to the State during the term of the contract.

**RETURN WITH BID**

**H. Sarbanes-Oxley Act of 2002**

1. The Illinois Procurement Code provides:

Section 50-60(c).

The contractor certifies in accordance with 30 ILCS 500/50-10.5 that no officer, director, partner or other managerial agent of the contracting business has been convicted of a felony under the Sarbanes-Oxley Act of 2002 or a Class 3 or Class 2 felony under the Illinois Securities Law of 1953 for a period of five years prior to the date of the bid or contract. The contractor acknowledges that the contracting agency shall declare the contract void if this certification is false.

**I. Addenda**

The contractor or bidder certifies that all relevant addenda have been incorporated in to this contract. Failure to do so may cause the bid to be declared unacceptable.

**J. Section 42 of the Environmental Protection Act**

The contractor certifies in accordance with 30 ILCS 500/50-12 that the bidder or contractor is not barred from being awarded a contract under this Section which prohibits the bidding on or entering into contracts with the State of Illinois or a State agency by a person or business found by a court or the Pollution Control Board to have committed a willful or knowing violation of Section 42 of the Environmental Protection Act for a period of five years from the date of the order. The contractor acknowledges that the contracting agency may declare the contract void if this certification is false.

**K. Apprenticeship and Training Certification (Does not apply to federal aid projects)**

In accordance with the provisions of Section 30-22 (6) of the Illinois Procurement Code, the bidder certifies that it is a participant, either as an individual or as part of a group program, in the approved apprenticeship and training programs applicable to each type of work or craft that the bidder will perform with its own forces. The bidder further certifies for work that will be performed by subcontract that each of its subcontractors submitted for approval either (a) is, at the time of such bid, participating in an approved, applicable apprenticeship and training program; or (b) will, prior to commencement of performance of work pursuant to this contract, begin participation in an approved apprenticeship and training program applicable to the work of the subcontract. The Department, at any time before or after award, may require the production of a copy of each applicable Certificate of Registration issued by the United States Department of Labor evidencing such participation by the contractor and any or all of its subcontractors. Applicable apprenticeship and training programs are those that have been approved and registered with the United States Department of Labor. The bidder shall list in the space below, the official name of the program sponsor holding the Certificate of Registration for all of the types of work or crafts in which the bidder is a participant and that will be performed with the bidder's forces. Types of work or craft work that will be subcontracted shall be included and listed as subcontracted work. The list shall also indicate any type of work or craft job category that does not have an applicable apprenticeship or training program. **The bidder is responsible for making a complete report and shall make certain that each type of work or craft job category that will be utilized on the project as reported on the Construction Employee Workforce Projection (Form BC-1256) and returned with the bid is accounted for and listed.**

---

N/A (Federal)

---

The requirements of this certification and disclosure are a material part of the contract, and the contractor shall require this certification provision to be included in all approved subcontracts. In order to fulfill this requirement, it shall not be necessary that an applicable program sponsor be currently taking or that it will take applications for apprenticeship, training or employment during the performance of the work of this contract.

## RETURN WITH BID

### **L. Executive Order Number 1 (2007) Regarding Lobbying on Government Procurements**

The bidder hereby warrants and certifies that they have complied and will comply with the requirements set forth in this Order. The requirements of this warrant and certification are a material part of the contract, and the contractor shall require this warrant and certification provision to be included in all approved subcontracts.

### **M. Disclosure of Business Operations in Iran**

Public Act 95-0616 provides that each bid, offer, or proposal submitted for a State contract shall include a disclosure of whether or not the Company acting as the bidder, offeror, or proposing entity, or any of its corporate parents or subsidiaries, within the 24 months before submission of the bid, offer, or proposal had business operations that involved contracts with or provision of supplies or services to the Government of Iran, companies in which the Government of Iran has any direct or indirect equity share, consortiums or projects commissioned by the Government of Iran, or companies involved in consortiums or projects commissioned by the Government of Iran and either of the following conditions apply:

(1) More than 10% of the Company's revenues produced in or assets located in Iran involve oil-related activities or mineral-extraction activities; less than 75% of the Company's revenues produced in or assets located in Iran involve contracts with or provision of oil-related or mineral-extraction products or services to the Government of Iran or a project or consortium created exclusively by that government; and the Company has failed to take substantial action.

(2) The Company has, on or after August 5, 1996, made an investment of \$20 million or more, or any combination of investments of at least \$10 million each that in the aggregate equals or exceeds \$20 million in any 12-month period, which directly or significantly contributes to the enhancement of Iran's ability to develop petroleum resources of Iran.

The terms "Business operations", "Company", "Mineral-extraction activities", "Oil-related activities", "Petroleum resources", and "Substantial action" are all defined in the Act.

Failure to make the disclosure required by the Act shall cause the bid, offer or proposal to be considered not responsive. The disclosure will be considered when evaluating the bid, offer, or proposal or awarding the contract. The name of each Company disclosed as doing business or having done business in Iran will be provided to the State Comptroller.

Check the appropriate statement:

Company has no business operations in Iran to disclose.

Company has business operations in Iran as disclosed in the attached document.

**RETURN WITH BID**

**N. PA 95-0635 SUBSTANCE ABUSE PREVENTION PROGRAM (SAPP)**

Effective January 1, 2008

This Public Act requires that all contractors and subcontractors have an SAPP, meeting certain requirements, in place **before** starting work.

The contractor must submit their correctly completed SAPP Certification (Form BC 261) prior to issuance of the Notice-to-Proceed.

The requirements of this Public Act are a material part of the contract, and the contractor shall require this provision to be included in all approved subcontracts. The contractor shall submit the correctly completed SAPP Certification Form BC 261 for each subcontractor with the Request for Approval of Subcontractor (Form AER 260-A) prior to issuance of the Notice-to-Proceed.

All SAPPs and Requests for Approval of Subcontractor are to be submitted to:

Department of Transportation  
Division of Aeronautics  
Attn: Chief Engineer  
1 Langhorne Bond Drive  
Capital Airport  
Springfield, IL 62707-8415.

Telephone number (217) 785-8514  
Telefax number (217) 785-4533

**O. PA 95-0971**

Effective February 1, 2009

This Public Act amends the Illinois State Procurement Code (30 ILCS 500) by adding Sections 20-160 and 50-37.

Section 20-160 (b) states “Every bid submitted to and every contract executed by the State on or after the effective date of this amendatory Act of the 95<sup>th</sup> General Assembly shall contain (1) a certification by the bidder or contractor that either (i) the bidder or contractor is not required to register as a business entity with the State Board of Elections pursuant to this Section or (ii) the bidder or contractor has registered as a business entity with the State Board of Elections and acknowledges a continuing duty to update the registration and (2) a statement that the contract is voidable under Section 50-60 for the bidder’s or contractor’s failure to comply with this Section.”

Check the appropriate statement:

The contractor certifies that they are not required to register as a business entity with the State Board of Elections pursuant to the Procurement Code (30 ILCS 500/20-160). Further, the contractor acknowledges that all contracts between State agencies and a business entity that do not comply with this Section shall be voidable under Section 50-60 of the Procurement Code (30 ILCS 500/50-60).

The contractor certifies that they have registered as a business entity with the State Board of Elections and acknowledges a continuing duty to update the registration pursuant to the Procurement Code (30 ILCS 500/20-160). Further, the contractor acknowledges that all contracts between State agencies and a business entity that do not comply with this Section shall be voidable under Section 50-60 of the Procurement Code (30 ILCS 500/50-60).

# RETURN WITH BID

## IV. DISCLOSURES

A. The disclosures hereinafter made by the bidder are each a material representation of fact upon which reliance is placed should the Department enter into the contract with the bidder. The Department may terminate the contract if it is later determined that the bidder rendered a false or erroneous disclosure, and the surety providing the performance bond shall be responsible for completion of the contract.

### B. Financial Interests and Conflicts of Interest

1. Section 50-35 of the Illinois Procurement Code provides that all bids of more than \$10,000 shall be accompanied by disclosure of the financial interests of the bidder. This disclosed information for the successful bidder, will be maintained as public information subject to release by request pursuant to the Freedom of Information Act.

The financial interests to be disclosed shall include ownership or distributive income share that is in excess of 5%, or an amount greater than 60% of the annual salary of the Governor, of the bidding entity or its parent entity, whichever is less, unless the contractor or bidder is a publicly traded entity subject to Federal 10K reporting, in which case it may submit its 10K disclosure in place of the prescribed disclosure. The disclosure shall include the names, addresses, and dollar or proportionate share of ownership of each person making the disclosure, their instrument of ownership or beneficial relationship, and notice of any potential conflict of interest resulting from the current ownership or beneficial interest of each person making the disclosure having any of the relationships identified in Section 50-35 and on the disclosure form.

In addition, all disclosures shall indicate any other current or pending contracts, proposals, leases, or other ongoing procurement relationships the bidding entity has with any other unit of state government and shall clearly identify the unit and the contract, proposal, lease, or other relationship.

2. Disclosure Forms. Disclosure Form A is attached for use concerning the individuals meeting the above ownership or distributive share requirements. Subject individuals should be covered each by one form. In addition, a second form (Disclosure Form B) provides for the disclosure of current or pending procurement relationships with other (non-IDOT) state agencies. **The forms must be included with each bid or incorporated by reference.**

### C. Disclosure Form Instructions

#### Form A: For bidders that have previously submitted the information requested in Form A

The Department has retained the Form A disclosures submitted by all bidders responding to these requirements for the April 24, 1998 or any subsequent letting conducted by the Department. The bidder has the option of submitting the information again or the bidder may sign the following certification statement indicating that the information previously submitted by the bidder is, as of the date of signature, current and accurate. The Certification must be signed and dated by a person who is authorized to execute contracts for the bidding company. Before signing this certification, the bidder should carefully review its prior submissions to ensure the Certification is correct. If the Bidder signs the Certification, the Bidder should proceed to Form B instructions.

## CERTIFICATION STATEMENT

I have determined that the Form A disclosure information previously submitted is current and accurate, and all forms are hereby incorporated by reference in this bid. Any necessary additional forms or amendments to previously submitted forms are attached to this bid.

\_\_\_\_\_  
(Bidding Company)

\_\_\_\_\_  
Name of Authorized Representative (type or print)

\_\_\_\_\_  
Title of Authorized Representative (type or print)

\_\_\_\_\_  
Signature of Authorized Representative

\_\_\_\_\_  
Date

**Form A: For bidders who have NOT previously submitted the information requested in Form A**

If the bidder is a publicly traded entity subject to Federal 10K reporting, the 10K Report may be submitted to meet the requirements of Form A. If a bidder is not subject to Federal 10K reporting, the bidder must determine if any individuals are required by law to complete a financial disclosure form. To do this, the bidder should answer each of the following questions. A “YES” answer indicates Form A must be completed. If the answer to each of the following questions is “NO”, then the **NOT APPLICABLE STATEMENT** on the second page of Form A must be signed and dated by a person that is authorized to execute contracts for the bidding company. Note These questions are for assistance only and are not required to be completed.

1. Does anyone in your organization have a direct or beneficial ownership share of greater than 5% of the bidding entity or parent entity? YES \_\_\_\_\_ NO \_\_\_\_\_
2. Does anyone in your organization have a direct or beneficial ownership share of less than 5%, but which has a value greater than \$87,526.20? YES \_\_\_\_\_ NO \_\_\_\_\_
3. Does anyone in your organization receive more than \$87,526.20 of the bidding entity’s or parent entity’s distributive income? (Note: Distributive income is, for these purposes, any type of distribution of profits. An annual salary is not distributive income.) YES \_\_\_\_\_ NO \_\_\_\_\_
4. Does anyone in your organization receive greater than 5% of the bidding entity’s or parent entity’s total distributive income, but which is less than \$87,526.20? YES \_\_\_\_\_ NO \_\_\_\_\_

(Note: Only one set of forms needs to be completed per person per bid even if a specific individual would require a yes answer to more than one question.)

A “YES” answer to any of these questions requires the completion of Form A. The bidder must determine each individual in the bidding entity or the bidding entity’s parent company that would cause the questions to be answered “Yes”. Each form must be signed and dated by a person that is authorized to execute contracts for your organization. **Photocopied or stamped signatures are not acceptable.** The person signing can be, but does not have to be, the person for which the form is being completed. The bidder is responsible for the accuracy of any information provided.

If the answer to each of the above questions is “NO”, then the **NOT APPLICABLE STATEMENT** on page 2 of Form A must be signed and dated by a person that is authorized to execute contracts for your company.

**Form B: Identifying Other Contracts & Procurement Related Information** Disclosure Form B must be completed for each bid submitted by the bidding entity. It must be signed by an individual who is authorized to execute contracts for the bidding entity. *Note: Signing the **NOT APPLICABLE STATEMENT** on Form A does not allow the bidder to ignore Form B. Form B must be completed, signed and dated or the bidder may be considered nonresponsive and the bid will not be accepted.*

The Bidder shall identify, by checking Yes or No on Form B, whether it has any pending contracts (including leases), bids, proposals, or other ongoing procurement relationship with any other (non-IDOT) State of Illinois agency. If “No” is checked, the bidder only needs to complete the signature box on the bottom of Form B. If “Yes” is checked, the bidder must do one of the following:

Option I: If the bidder did not submit an Affidavit of Availability to obtain authorization to bid, the bidder must list all non-IDOT State of Illinois agency pending contracts, leases, bids, proposals, and other ongoing procurement relationships. These items may be listed on Form B or on an attached sheet(s). Do not include IDOT contracts. Contracts with cities, counties, villages, etc. are not considered State of Illinois agency contracts and are not to be included. Contracts with other State of Illinois agencies such as the Department of Natural Resources or the Capital Development Board must be included. Bidders who submit Affidavits of Availability are suggested to use Option II.

Option II: If the bidder is required and has submitted an Affidavit of Availability in order to obtain authorization to bid, the bidder may write or type “See Affidavit of Availability” which indicates that the Affidavit of Availability is incorporated by reference and includes all non-IDOT State of Illinois agency pending contracts, leases, bids, proposals, and other ongoing procurement relationships. For any contracts that are not covered by the Affidavit of Availability, the bidder must identify them on Form B or on an attached sheet(s). These might be such things as leases.

**D. Bidders Submitting More Than One Bid**

Bidders submitting multiple bids may submit one set of forms consisting of all required Form A disclosures and one Form B for use with all bids. Please indicate in the space provided below the bid item that contains the original disclosure forms and the bid items which incorporate the forms by reference.

- The bid submitted for letting item \_\_\_\_\_ contains the Form A disclosures or Certification Statement and the Form B disclosures. The following letting items incorporate the said forms by reference:

---

---

**ILLINOIS DEPARTMENT  
OF TRANSPORTATION**

**Form A  
Financial Information &  
Potential Conflicts of Interest  
Disclosure**

|                  |  |                           |
|------------------|--|---------------------------|
| Contractor Name  |  |                           |
| Legal Address    |  |                           |
| City, State, Zip |  |                           |
| Telephone Number |  | Fax Number (if available) |

Disclosure of the information contained in this Form is required by the Section 50-35 of the Illinois Procurement Code (30 ILCS 500). Vendors desiring to enter into a contract with the State of Illinois must disclose the financial information and potential conflict of interest information as specified in this Disclosure Form. This information shall become part of the publicly available contract file. This Form A must be completed for bids in excess of \$10,000, and for all open-ended contracts. **A publicly traded company may submit a 10K disclosure in satisfaction of the requirements set forth in Form A. See Disclosure Form Instructions.**

**DISCLOSURE OF FINANCIAL INFORMATION**

**1. Disclosure of Financial Information.** The individual named below has an interest in the BIDDER (or its parent) in terms of ownership or distributive income share in excess of 5%, or an interest which has a value of more than \$87,526.20 (60% of the Governor’s salary as of 10/1/2000). **(Make copies of this form as necessary and attach a separate Disclosure Form A for each individual meeting these requirements)**

|  |   |
|--|---|
| <b>FOR INDIVIDUAL (type or print information)</b>            |   |
| <b>NAME:</b>   | _____                                     |
| <b>ADDRESS</b>   | _____                                     |
| <b>Type of ownership/distributable income share:</b>         |   |
| stock _____  | sole proprietorship _____                 |
| partnership _____  | other: (explain on separate sheet): _____ |
| % or \$ value of ownership/distributable income share: _____ |   |

**2. Disclosure of Potential Conflicts of Interest.** Check “Yes” or “No” to indicate which, if any, of the following potential conflict of interest relationships apply. If the answer to any question is “Yes”, please attach additional pages and describe.

(a) State employment, currently or in the previous 3 years, including contractual employment of services.  
Yes \_\_\_\_\_ No \_\_\_\_\_

(b) State employment of spouse, father, mother, son, or daughter, including contractual employment for services in the previous 2 years.  
Yes \_\_\_\_\_ No \_\_\_\_\_

(c) Elective status; the holding of elective office of the State of Illinois, the government of the United States, any unit of local government authorized by the Constitution of the State of Illinois or the statutes of the State of Illinois currently or in the previous 3 years.  
Yes \_\_\_\_\_ No \_\_\_\_\_

(d) Relationship to anyone holding elective office currently or in the previous 2 years; spouse, father, mother, son, or daughter  
Yes \_\_\_\_\_ No \_\_\_\_\_



**RETURN WITH BID/OFFER**

(e) Appointive office; the holding of any appointive government office of the State of Illinois, the United States of America, or any unit of local government authorized by the Constitution of the State of Illinois or the statutes of the State of Illinois, which office entitles the holder to compensation in excess of the expenses incurred in the discharge of that office currently or in the previous 3 years.

Yes \_\_\_\_\_ No \_\_\_\_\_

(f) Relationship to anyone holding appointive office currently or in the previous 2 years; spouse, father, mother, son, or daughter.

Yes \_\_\_\_\_ No \_\_\_\_\_

(g) Employment, currently or in the previous 3 years, as or by any registered lobbyist of the State government.

Yes \_\_\_\_\_ No \_\_\_\_\_

(h) Relationship to anyone who is or was a registered lobbyist in the previous 2 years; spouse, father, mother, son, or daughter.

Yes \_\_\_\_\_ No \_\_\_\_\_

(i) Compensated employment, currently or in the previous 3 years, by any registered election or reelection committee registered with the Secretary of State or any county clerk of the State of Illinois, or any political action committee registered with either the Secretary of State or the Federal Board of Elections.

Yes \_\_\_\_\_ No \_\_\_\_\_

(j) Relationship to anyone; spouse, father, mother, son, or daughter; who was a compensated employee in the last 2 years by any registered election or re-election committee registered with the Secretary of State or any county clerk of the State of Illinois, or any political action committee registered with either the Secretary of State or the Federal Board of Elections.

Yes \_\_\_\_\_ No \_\_\_\_\_

**APPLICABLE STATEMENT**

**This Disclosure Form A is submitted on behalf of the INDIVIDUAL named on previous page.**

Completed by:

\_\_\_\_\_  
Name of Authorized Representative (type or print)

Completed by:

\_\_\_\_\_  
Title of Authorized Representative (type or print)

Completed by:

\_\_\_\_\_  
Signature of Individual or Authorized Representative

\_\_\_\_\_  
Date

**NOT APPLICABLE STATEMENT**

**I have determined that no individuals associated with this organization meet the criteria that would require the completion of this Form A.**

**This Disclosure Form A is submitted on behalf of the CONTRACTOR listed on the previous page.**

\_\_\_\_\_  
Name of Authorized Representative (type or print)

\_\_\_\_\_  
Title of Authorized Representative (type or print)

\_\_\_\_\_  
Signature of Authorized Representative

\_\_\_\_\_  
Date

**ILLINOIS DEPARTMENT  
OF TRANSPORTATION**

**Form B  
Other Contracts &  
Procurement Related Information  
Disclosure**

|                  |  |                           |
|------------------|--|---------------------------|
| Contractor Name  |  |                           |
| Legal Address    |  |                           |
| City, State, Zip |  |                           |
| Telephone Number |  | Fax Number (if available) |

Disclosure of the information contained in this Form is required by the Section 50-35 of the Illinois Procurement Act (30 ILCS 500). This information shall become part of the publicly available contract file. This Form B must be completed for bids in excess of \$10,000, and for all open-ended contracts.

**DISCLOSURE OF OTHER CONTRACTS AND PROCUREMENT RELATED INFORMATION**

**1. Identifying Other Contracts & Procurement Related Information.** The BIDDER shall identify whether it has any pending contracts (including leases), bids, proposals, or other ongoing procurement relationship with any other State of Illinois agency: Yes \_\_\_\_\_ No \_\_\_\_\_

If “No” is checked, the bidder only needs to complete the signature box on the bottom of this page.

**2. If “Yes” is checked.** Identify each such relationship by showing State of Illinois agency name and other descriptive information such as bid or project number (attach additional pages as necessary). SEE DISCLOSURE FORM INSTRUCTIONS:

**THE FOLLOWING STATEMENT MUST BE SIGNED**

|  |       |
|--|-------|
| _____  |       |
| Name of Authorized Representative (type or print)  |       |
| _____  |       |
| Title of Authorized Representative (type or print) |       |
| _____  | _____ |
| Signature of Authorized Representative             | Date  |

## **RETURN WITH BID**

### **SPECIAL NOTICE TO CONTRACTORS**

The following requirements of the Illinois Department of Human Rights' Rules and Regulations are applicable to bidders on all construction contracts advertised by the Illinois Department of Transportation:

#### **CONSTRUCTION EMPLOYEE UTILIZATION PROJECTION**

- (a) All bidders on construction contracts shall complete and submit, along with and as part of their bids, a Bidder's Employee Utilization Form (Form BC-1256) setting forth a projection and breakdown of the total workforce intended to be hired and/or allocated to such contract work by the bidder including a projection of minority and female employee utilization in all job classifications on the contract project.
- (b) The Department of Transportation shall review the Employee Utilization Form, and workforce projections contained therein, of the contract awardee to determine if such projections reflect an underutilization of minority persons and/or women in any job classification in accordance with the Equal Employment Opportunity Clause and Section 7.2 of the Illinois Department of Human Rights' Rules and Regulations for Public Contracts adopted as amended on September 17, 1980. If it is determined that the contract awardee's projections reflect an underutilization of minority persons and/or women in any job classification, it shall be advised in writing of the manner in which it is underutilizing and such awardee shall be considered to be in breach of the contract unless, prior to commencement of work on the contract project, it submits revised satisfactory projections or an acceptable written affirmative action plan to correct such underutilization including a specific timetable geared to the completion stages of the contract.
- (c) The Department of Transportation shall provide to the Department of Human Rights a copy of the contract awardee's Employee Utilization Form, a copy of any required written affirmative action plan, and any written correspondence related thereto. The Department of Human Rights may review and revise any action taken by the Department of Transportation with respect to these requirements.



**PART I. IDENTIFICATION**

Human Rights

Bid Number: \_\_\_\_\_ Duration of Project: \_\_\_\_\_

Name of Bidder: \_\_\_\_\_

**PART II. WORKFORCE PROJECTION**

A. The undersigned bidder has analyzed minority group and female populations, unemployment rates and availability of workers for the location in which this contract work is to be performed, and for the locations from which the bidder recruits employees, and hereby submits the following workforce projection including a projection for minority and female employee utilization in all job categories in the workforce to be allocated to this contract:

| TABLE A<br>TOTAL Workforce Projection for Contract |                    |   |                    |   |          |   |                  |   |                  |   |                        | TABLE B<br>CURRENT EMPLOYEES<br>TO BE ASSIGNED<br>TO CONTRACT |                    |   |                       |   |
|--|--------------------|---|--------------------|---|----------|---|------------------|---|------------------|---|------------------------|---|--------------------|---|-----------------------|---|
| JOB<br>CATEGORIES                                  | TOTAL<br>EMPLOYEES |   | MINORITY EMPLOYEES |   |          |   |                  |   | TRAINEES         |   |                        |   | TOTAL<br>EMPLOYEES |   | MINORITY<br>EMPLOYEES |   |
|  | M                  | F | BLACK              |   | HISPANIC |   | *OTHER<br>MINOR. |   | APPREN-<br>TICES |   | ON THE JOB<br>TRAINEES |   | M                  | F | M                     | F |
|  |                    |   | M                  | F | M        | F | M                | F | M                | F | M                      | F   |                    |   |                       |   |
| OFFICIALS<br>(MANAGERS)                            |                    |   |                    |   |          |   |                  |   |                  |   |                        |   |                    |   |                       |   |
| SUPERVISORS  |                    |   |                    |   |          |   |                  |   |                  |   |                        |   |                    |   |                       |   |
| FOREMEN  |                    |   |                    |   |          |   |                  |   |                  |   |                        |   |                    |   |                       |   |
| CLERICAL   |                    |   |                    |   |          |   |                  |   |                  |   |                        |   |                    |   |                       |   |
| EQUIPMENT<br>OPERATORS                             |                    |   |                    |   |          |   |                  |   |                  |   |                        |   |                    |   |                       |   |
| MECHANICS  |                    |   |                    |   |          |   |                  |   |                  |   |                        |   |                    |   |                       |   |
| TRUCK DRIVERS                                      |                    |   |                    |   |          |   |                  |   |                  |   |                        |   |                    |   |                       |   |
| IRONWORKERS  |                    |   |                    |   |          |   |                  |   |                  |   |                        |   |                    |   |                       |   |
| CARPENTERS   |                    |   |                    |   |          |   |                  |   |                  |   |                        |   |                    |   |                       |   |
| CEMENT MASONS                                      |                    |   |                    |   |          |   |                  |   |                  |   |                        |   |                    |   |                       |   |
| ELECTRICIANS                                       |                    |   |                    |   |          |   |                  |   |                  |   |                        |   |                    |   |                       |   |
| PIPEFITTERS,<br>PLUMBERS                           |                    |   |                    |   |          |   |                  |   |                  |   |                        |   |                    |   |                       |   |
| PAINTERS   |                    |   |                    |   |          |   |                  |   |                  |   |                        |   |                    |   |                       |   |
| LABORERS,<br>SEMI-SKILLED                          |                    |   |                    |   |          |   |                  |   |                  |   |                        |   |                    |   |                       |   |
| LABORERS,<br>UNSKILLED                             |                    |   |                    |   |          |   |                  |   |                  |   |                        |   |                    |   |                       |   |
| <b>TOTAL</b>                                       |                    |   |                    |   |          |   |                  |   |                  |   |                        |   |                    |   |                       |   |

| TABLE C<br>TOTAL Training Projection for Contract |                    |   |       |   |          |   |                  |   |
|---|--------------------|---|-------|---|----------|---|------------------|---|
| EMPLOYEES<br>IN<br>TRAINING                       | TOTAL<br>EMPLOYEES |   | BLACK |   | HISPANIC |   | *OTHER<br>MINOR. |   |
|   | M                  | F | M     | F | M        | F | M                | F |
| APPRENTICES                                       |                    |   |       |   |          |   |                  |   |
| ON THE JOB<br>TRAINEES                            |                    |   |       |   |          |   |                  |   |

\*Other minorities are defined as Asians (A) or Native Americans (N).  
Please specify race of each employee shown in Other Minorities column.

**Note: See instructions on page 2**

|                                       |
|---------------------------------------|
| <p><b>FOR DEPARTMENT USE ONLY</b></p> |
|---------------------------------------|

**RETURN WITH BID**

**PART II. WORKFORCE PROJECTION - continued**

- B. Included in "Total Employees" under Table A is the total number of **new hires** that would be employed in the event the undersigned bidder is awarded this contract.

The undersigned bidder projects that: (number) \_\_\_\_\_ new hires would be recruited from the area in which the contract project is located; and/or (number) \_\_\_\_\_ new hires would be recruited from the area in which the bidder's principal office or base of operation is located.

- C. Included in "Total Employees" under Table A is a projection of numbers of persons to be employed directly by the undersigned bidder as well as a projection of numbers of persons to be employed by subcontractors.

The undersigned bidder estimates that (number) \_\_\_\_\_ persons will be directly employed by the prime contractor and that (number) \_\_\_\_\_ persons will be employed by subcontractors.

**PART III. AFFIRMATIVE ACTION PLAN**

- A. The undersigned bidder understands and agrees that in the event the foregoing minority and female employee utilization projection included under **PART II** is determined to be an underutilization of minority persons or women in any job category, and in the event that the undersigned bidder is awarded this contract, he/she will, prior to commencement of work, develop and submit a written Affirmative Action Plan including a specific timetable (geared to the completion stages of the contract) whereby deficiencies in minority and/or female employee utilization are corrected. Such Affirmative Action Plan will be subject to approval by the contracting agency and the **Department of Human Rights**.
- B. The undersigned bidder understands and agrees that the minority and female employee utilization projection submitted herein, and the goals and timetable included under an Affirmative Action Plan if required, are deemed to be part of the contract specifications.

Company \_\_\_\_\_ Telephone Number \_\_\_\_\_  
 \_\_\_\_\_  
 Address \_\_\_\_\_

**NOTICE REGARDING SIGNATURE**

The Bidder's signature on the Proposal Signature Sheet will constitute the signing of this form. The following signature block needs to be completed only if revisions are required.

Signature: \_\_\_\_\_ Title: \_\_\_\_\_ Date: \_\_\_\_\_

- Instructions: All tables must include subcontractor personnel in addition to prime contractor personnel.
- Table A - Include both the number of employees that would be hired to perform the contract work and the total number currently employed (Table B) that will be allocated to contract work, and include all apprentices and on-the-job trainees. The "Total Employees" column should include all employees including all minorities, apprentices and on-the-job trainees to be employed on the contract work.
  - Table B - Include all employees currently employed that will be allocated to the contract work including any apprentices and on-the-job trainees currently employed.
  - Table C - Indicate the racial breakdown of the total apprentices and on-the-job trainees shown in Table A.

**RETURN WITH BID**

**CERTIFICATIONS REQUIRED BY STATE AND/OR FEDERAL LAW.** The bidder is required by State and/or Federal law to make the below certifications and assurances as a part of the proposal and contract upon award. It is understood by the bidder that the certifications and assurances made herein are a part of the contract.

By signing the Proposal Signature Sheet, the bidder certifies that he/she has read and completed each of the following certifications and assurances, that required responses are true and correct and that the certified signature of the Proposal Signature Sheet constitutes an endorsement and execution of each certification and assurance as though each was individually signed:

A. By the execution of this proposal, the signing bidder certifies that the bidding entity has not, either directly or indirectly, entered into any agreement, participated in any collusion, or otherwise taken any action, in restraint of free competitive bidding in connection with the submitted bid. This statement made by the undersigned bidder is true and correct under penalty of perjury under the laws of the United States.

B. **CERTIFICATION, EQUAL EMPLOYMENT OPPORTUNITY:**

1. Have you participated in any previous contracts or subcontracts subject to the equal opportunity clause.  
YES \_\_\_\_\_ NO \_\_\_\_\_
2. If answer to #1 is yes, have you filed with the Joint Reporting Committee, the Director of OFCC, any Federal agency, or the former President's Committee on Equal Employment Opportunity, all reports due under the applicable filing requirements of those organizations? YES \_\_\_\_\_ NO \_\_\_\_\_

C. **BUY AMERICAN - STEEL AND MANUFACTURED PRODUCTS FOR CONSTRUCTION CONTRACTS (JAN 1991)**

(a) The Aviation Safety and Capacity Expansion Act of 1990 provides that preference be given to steel and manufactured products produced in the United States when funds are expended pursuant to a grant issued under the Airport Improvement Program. The following terms apply:

1. Steel and manufactured products. As used in this clause, steel and manufactured products include (1) steel produced in the United States or (2) a manufactured product produced in the United States, if the cost of its components mined, produced or manufactured in the United States exceeds 60 percent of the cost of all its components and final assembly has taken place in the United States. Components of foreign origin of the same class or kind as the products referred to in subparagraphs (b)(1) or (2) shall be treated as domestic.
2. Components. As used in this clause, components means those articles, materials, and supplies incorporated directly into steel and manufactured products.
3. Cost of Components. This means the costs for production of the components, exclusive of final assembly labor costs.

(b) The successful bidder will be required to assure that only domestic steel and manufactured products will be used by the Contractor, subcontractors, materialmen, and suppliers in the performance of this contract, except those-

- (1) that the U.S. Department of Transportation has determined, under the Aviation Safety and Capacity Expansion Act of 1990, are not produced in the United States in sufficient and reasonably available quantities of a satisfactory quality;
- (2) that the U.S. Department of Transportation has determined, under the Aviation Safety and Capacity Expansion Act of 1990, that domestic preference would be inconsistent with the public interest; or
- (3) that inclusion of domestic material will increase the cost of the overall project contract by more than 25 percent.

(End of Clause)

**RETURN WITH BID**

**D. BUY AMERICAN CERTIFICATE (JAN 1991)**

By submitting a bid/proposal under this solicitation, except for those items listed by the offeror below or on a separate and clearly identified attachment to this bid/proposal, the offeror certifies that steel and each manufactured product, is produced in the United States (as defined in the clause Buy American - Steel and Manufactured Products or Buy American - Steel and Manufactured Products For Construction Contracts) and that components of unknown origin are considered to have been produced or manufactured outside the United States.

Offerors may obtain from (IDOT, Division of Aeronautics) lists of articles, materials, and supplies excepted from this provision.

PRODUCT

COUNTRY OF ORIGIN

---

---

---

**E. NPDES CERTIFICATION**

In accordance with the provisions of the Illinois Environmental Protection Act, the Illinois Pollution Control Board Rules and Regulations (35 Ill. Adm. Code, Subtitle C, Chapter I), and the Clean Water Act, and the regulations thereunder, this certification is required for all construction contracts that will result in the disturbance of one or more acres total land area.

The undersigned bidder certifies under penalty of law that he/she understands the terms and conditions of the general National Pollutant Discharge Elimination System (NPDES) permit (ILR100000) that authorizes the storm water discharges associated with industrial activity from the construction site identified as part of this certification.

The Airport Owner or its Agent will:

- 1) prepare, sign and submit the Notice of Intent (NOI)
- 2) conduct site inspections and complete and file the inspection reports
- 3) submit Incidence of Non-Compliance (ION) forms
- 4) submit Notice of Termination (NOT) form

Prior to the issuance of the Notice-to-Proceed, for each erosion control measure identified in the Storm Water Pollution Prevention Plan, the contractor or subcontractor responsible for the control measure(s) must sign the above certification (forms to be provided by the Department).

**F. NON-APPROPRIATION CLAUSE**

By submitting a bid/proposal under this solicitation the offeror certifies that he/she understands that obligations of the State will cease immediately without penalty or further payment being required in any fiscal year the Illinois General Assembly fails to appropriate or otherwise make available sufficient funds for this contract.

**G. Contractor is not delinquent in the payment of any debt to the State (or if delinquent has entered into a deferred payment plan to pay the debt), and Contractor acknowledges the contracting state agency may declare the contract void if this certification is false (30 ILCS 500/50-11, effective July 1, 2002).**

## RETURN WITH BID

### NOTICE TO BIDDERS

- 1. TIME AND PLACE OF OPENING BIDS.** Sealed proposals for the improvement described herein will be received by the Department of Transportation at the Harry R. Hanley Building, 2300 South Dirksen Parkway in Springfield, Illinois until 10:00 o'clock a.m., March 6, 2009. All bids will be gathered, sorted, publicly opened and read in the auditorium at the Department of Transportation's Harry R. Hanley Building shortly after the 10:00 a.m. cut off time.
- 2. DESCRIPTION OF WORK.** The proposed improvement, shown in detail on the plans issued by the Department includes, in general, the following described work:

#### **Rehabilitate Terminal Apron and Taxiway H – Phase, Including Additive Alternate No. 1**

- 3. INSTRUCTIONS TO BIDDERS.** (a) This Notice, the invitation for bids, proposal and award shall, together with all other documents in accordance with Article 10-15 of the Illinois Standard Specifications for Construction of Airports, become part of the contract. Bidders are cautioned to read and examine carefully all documents, to make all required inspections, and to inquire or seek explanation of the same prior to submission of a bid.  
  
(b) State law, and, if the work is to be paid wholly or in part with Federal-aid funds, Federal law requires the bidder to make various certifications as a part of the proposal and contract. By execution and submission of the proposal, the bidder makes the certification contained therein. A false or fraudulent certification shall, in addition to all other remedies provided by law, be a breach of contract and may result in termination of the contract.
- 4. AWARD CRITERIA AND REJECTION OF BIDS.** This contract will be awarded to the lowest responsive and responsible bidder considering conformity with the terms and conditions established by the Department in the proposal and contract documents. The issuance of plans and proposal forms for bidding based upon a prequalification rating shall not be the sole determinant of responsibility. The Department reserves the right to determine responsibility at the time of award, to reject any or all proposals, to readvertise the proposed improvement, and to waive technicalities.
- 5. PRE-BID CONFERENCE.** There will be a pre-bid conference held at N/A at the Greater Kankakee Airport administration building. For engineering information, contact Matt Demos of Crawford, Murphy & Tilly, Inc. at (312) 855-2540.
- 6. DISADVANTAGED BUSINESS POLICY.** The DBE goal for this contract is 2.0%.
- 7. SPECIFICATIONS AND DRAWINGS.** The work shall be done in accordance with the Illinois Standard Specifications for Construction of Airports, the Illinois Division of Aeronautics Supplemental Specifications and Recurring Special Provisions, the Special Provisions dated January 16, 2009 and the Construction Plans dated January 16, 2009 as approved by the Department of Transportation, Division of Aeronautics.



## RETURN WITH BID

- 8. INSPECTION OF RECORDS.** The Contractor shall maintain an acceptable cost accounting system. The Sponsor, the FAA, and the Comptroller General of the United States shall have access to any books, documents, paper, and records of the Contractor which are directly pertinent to the specific contract for the purposes of making an audit, examination, excerpts, and transcriptions. The Contractor shall maintain all required records for three years after the Sponsor makes final payment and all other pending matters are closed.
- 9. RIGHTS TO INVENTIONS.** All rights to inventions and materials generated under this contract are subject to Illinois law and to regulations issued by the FAA and the Sponsor of the Federal grant under which this contract is executed. Information regarding these rights is available from the FAA and the Sponsor.
- 10. TERMINATION OF CONTRACT.**
1. The Sponsor may, by written notice, terminate this contract in whole or in part at any time, either for the Sponsor's convenience or because of failure to fulfill the contract obligations. Upon receipt of such notice services shall be immediately discontinued (unless the notice directs otherwise) and all materials as may have been accumulated in performing this contract, whether completed or in progress, delivered to the Sponsor.
  2. If the termination is for the convenience of the Sponsor, an equitable adjustment in the contract price shall be made, but no amount shall be allowed for anticipated profit on unperformed services.
  3. If the termination is due to failure to fulfill the Contractor's obligations, the Sponsor may take over the work and prosecute the same to completion by contract or otherwise. In such case, the Contractor shall be liable to the Sponsor for any additional cost occasioned to the Sponsor thereby.
  4. If, after notice of termination for failure to fulfill contract obligations, it is determined that the Contractor had not so failed, the termination shall be deemed to have been effected for the convenience of the Sponsor. In such event, adjustment in the contract price shall be made as provided in paragraph 2 of this clause.
  5. The rights and remedies of the sponsor provided in this clause are in addition to any other rights and remedies provided by law or under this contract.

**RETURN WITH BID**

**11. BIDDING REQUIREMENTS AND BASIS OF AWARD.** When alternates are included in the proposal, the following shall apply:

a. Additive Alternates

- (1) Bidders must submit a bid for the Base Bid and for all Additive Alternates.
- (2) Award of this contract will be made to the lowest responsible qualified bidder computed as follows:

The lowest aggregate amount of (i) the Base Bid plus (ii) any Additive Alternate(s) which the Department elects to award.

The Department may elect not to award any Additive Alternates. In that case, award will be to the lowest responsible qualified bidder of the Base Bid.

b. Optional Alternates

- (1) Bidders must submit a bid for the Base Bid and for either Alternate A or Alternate B or for both Alternate A and Alternate B.
- (2) Award of this contract will be made to the lowest responsible qualified bidder computed as follows:

The lower of the aggregate of either (i) the Base Bid plus Alternate A or (ii) the Base Bid plus Alternate B.

**12. CONTRACT TIME.** The Contractor shall complete all work within the specified contract time. Any calendar day extension beyond the specified contract time must be fully justified, requested by the Contractor in writing, and approved by the Engineer, or be subject to liquidated damages.

The contract time for this contract is 133 calendar days for the base bid work. If Additive Alternate No. 1 is awarded, an additional 15 calendar days will be granted.

**13. INDEPENDENT WEIGHT CHECKS.** The Department reserves the right to conduct random unannounced independent weight checks on any delivery for bituminous, aggregate or other pay item for which the method of measurement for payment is based on weight. The weight checks will be accomplished by selecting, at random, a loaded truck and obtaining a loaded and empty weight on an independent scale. In addition, the department may perform random weight checks by obtaining loaded and empty truck weights on portable scales operated by department personnel.

**14. GOOD FAITH COMPLIANCE.** The Illinois Department of Transportation has made a good faith effort to include all statements, requirements, and other language required by federal and state law and by various offices within federal and state governments whether that language is required by law or not. If anything of this nature has been left out or if additional language etc. is later required, the bidder/contractor shall cooperate fully with the Department to modify the contract or bid documents to correct the deficiency. If the change results in increased operational costs, the Department shall reimburse the contractor for such costs as it may find to be reasonable.

**RETURN WITH BID**

**PROPOSAL SIGNATURE SHEET**

The undersigned bidder hereby makes and submits this bid on the subject Proposal, thereby assuring the Department that all requirements of the Invitation for Bids and rules of the Department have been met, that there is no misunderstanding of the requirements of paragraph 4 of this Proposal, and that the contract will be executed in accordance with the rules of the Department if an award is made on this bid.

Firm Name \_\_\_\_\_

(IF AN INDIVIDUAL)

Signature of Owner \_\_\_\_\_

Business Address \_\_\_\_\_

Firm Name \_\_\_\_\_

By \_\_\_\_\_

(IF A CO-PARTNERSHIP)

Business Address \_\_\_\_\_

Name and Address of All Members of the Firm:

\_\_\_\_\_  
\_\_\_\_\_

Corporate Name \_\_\_\_\_

Corporate Seal

By \_\_\_\_\_

President

(IF A CORPORATION)

Attest \_\_\_\_\_

Corporate Secretary

Business Address \_\_\_\_\_

Name of Corporate Officers:

\_\_\_\_\_  
President                      Corporate Secretary                      Treasurer

**NOTARY CERTIFICATION**

STATE OF ILLINOIS,

**ALL SIGNATURES MUST BE NOTARIZED**

COUNTY OF \_\_\_\_\_

I, \_\_\_\_\_, a Notary Public in and for said county, do hereby certify that \_\_\_\_\_

\_\_\_\_\_ AND \_\_\_\_\_

(Insert names of individual(s) signing on behalf of bidder)

who are each personally known to me to be the same persons whose names are subscribed to the foregoing instrument on behalf of the bidder, appeared before me this day in person and acknowledged that they signed, sealed, and delivered said instrument as their free and voluntary act for the uses and purposes therein set forth.

Given under my hand and notarial seal this \_\_\_\_\_ day of \_\_\_\_\_, A.D. \_\_\_\_\_

My commission expires \_\_\_\_\_ (Seal)

Notary Public



Item No. 11A  
Letting Date: March 6, 2009

Airport: Greater Kankakee Airport  
Ill. Proj. No. IKK-3864  
Fed. Proj. No. 3-17-0057-B16

**KNOW ALL MEN BY THESE PRESENTS.** that we, \_\_\_\_\_, as PRINCIPAL, and \_\_\_\_\_,

\_\_\_\_\_ as SURETY are held and firmly bound unto the, hereinafter called the SPONSOR, in the penal sum of 5 percent of the total bid price or of the amount specified in Section 6, PROPOSAL GUARANTEE of the Proposal Document, whichever is the lesser sum, well and truly to be paid unto the said SPONSOR, for the payment of which we bind ourselves, our heirs, executors, administrators, successors, and assigns.

THE CONDITION OF THIS OBLIGATION IS SUCH, that whereas the PRINCIPAL has submitted a Bid Proposal to the SPONSOR through its AGENT, the State of Illinois, Department of Transportation, Division of Aeronautics, for the improvement designated by the Transportation Bulletin Item Number and Letting Date indicated above;

**NOW, THEREFORE,** if the SPONSOR through its AGENT shall accept the Bid Proposal of the PRINCIPAL; and if PRINCIPAL shall within the time and as specified in the Bidding and Contract Documents, submit the DBE Utilization Plan that is acceptable and approved by the AGENT, and if after the award, the PRINCIPAL shall enter into a contract in accordance with the terms of the Bidding and Contract Documents including evidence of insurance coverage's and providing such bond as specified with good and sufficient surety for the faithful performance of such contract and for prompt payment of labor and material furnished in the prosecution thereof; or if, in the event of the failure of the PRINCIPAL to make the required DBE submission or to enter into such contract and to give the specified bond, the PRINCIPAL pays to the SPONSOR the difference not to exceed the penalty hereof between the amount in the Bid Proposal and such larger amount for which the SPONSOR may contract with another party to perform the work covered by said Proposal Document, then, this obligation to be void; otherwise to remain in full force and effect.

IN THE EVENT the SPONSOR acting through its AGENT determines the PRINCIPAL has failed to comply with any requirement as set forth in the preceding paragraph, then the SURETY shall pay the penal sum to the SPONSOR within fifteen (15) days of written demand therefor. If the SURETY does not make full payment within such period of time, the AGENT may bring an action to collect the amount owed. The SURETY is liable to the SPONSOR and to the AGENT for all its expenses, including attorney's fees, incurred in any litigation in which SPONSOR or AGENT prevail either in whole or in part.

**IN WITNESS WHEREOF,** the said PRINCIPAL and the said SURETY have caused this instrument to be signed by

their respective officers this \_\_\_\_\_ day of \_\_\_\_\_ A.D., 20 \_\_\_\_.

**PRINCIPAL**

**SURETY**

\_\_\_\_\_  
(Company Name)

\_\_\_\_\_  
(Company Name)

By: \_\_\_\_\_  
(Signature & Title)

By: \_\_\_\_\_  
(Signature of Attorney-in-Fact)

**Notary Certification for Principal and Surety**

State of Illinois )  
 ) ss:  
County of \_\_\_\_\_ )

I, \_\_\_\_\_, a Notary Public in and for said County, do hereby certify that

\_\_\_\_\_ and \_\_\_\_\_  
(Insert names of individuals signing on behalf of PRINCIPAL & SURETY)

who are each personally known to me to be the same persons whose names are subscribed to the foregoing instrument on behalf of PRINCIPAL and SURETY, appeared before me this day in person and acknowledged respectively, that they signed and delivered said instrument as their free and voluntary act for uses and purposes therein set forth.

Given under my hand and notary seal this \_\_\_\_\_ day of \_\_\_\_\_ A.D., 20 \_\_\_\_

My commission expires \_\_\_\_\_  
(Notary Public)

In lieu of completing the above section of the Proposal Bid Form, the PRINCIPAL may file an Electronic Bid Bond. By signing below, the PRINCIPAL is ensuring the identified electronic bid bond has been executed and the PRINCIPAL and SURETY are firmly bound to the SPONSOR through its AGENT under the conditions of the Bid Bond as shown above.

Electronic Bid Bond ID# \_\_\_\_\_ Company/Bidder Name \_\_\_\_\_ Signature and Title \_\_\_\_\_  
Form D.E. (Rev. 12-2001)



# PROPOSALS

for construction work advertised for bids by the  
Illinois Department of Transportation

| Item No. | Item No. | Item No. |
|----------|----------|----------|
|          |          |          |
|          |          |          |
|          |          |          |
|          |          |          |

Submitted By:

|           |
|-----------|
| Name:     |
| Address:  |
|           |
|           |
| Phone No. |

Bidders should affix this form to the front of a 10" x 13" envelope and use that envelope for the submittal of bids. If proposals are mailed, they should be enclosed in a second or outer envelope addressed to:

Engineer of Design and Environment - Room 323  
Illinois Department of Transportation  
2300 South Dirksen Parkway  
Springfield, Illinois 62764

# CONTRACTOR OFFICE COPY OF CONTRACT SPECIFICATIONS

---

## NOTICE

None of the following material needs to be returned with the bid package unless the special provisions require documentation and/or other information to be submitted.



**Illinois Department of Transportation**

## CONTRACT REQUIREMENTS

(1) Airport Improvement Program projects. The work in this contract is included in the federal Airport Improvement Program and is being undertaken and accomplished by the Illinois Department of Transportation, Division of Aeronautics and the Municipality, hereinafter called the Co-Sponsors, in accordance with the terms and conditions of a Grant Agreement between the Co-Sponsors and the United States, under the Airport and Airway Improvement Act of 1982 (Public Law 97-248; Title V, Section 501 et seq., September 3, 1982; 96 Stat. 671; codified at 49 U.S.C Section 2201 et seq.) and Part 152 of the Federal Aviation Regulations (14 CFR Part 152), pursuant to which the United States has agreed to pay a certain percentage of the costs of the Project that are determined to be allowable Project costs under the Act. The United States is not a party to this contract and no reference in this contract to FAA or representative thereof, or to any rights granted to the FAA or any representative thereof, or the United States, by the contract, makes the United States a party to this contract.

(2) Consent of Assignment. The Contractor shall obtain the prior written consent of the Co-Sponsors to any proposed assignment of any interest in or part of this contract.

(3) Convict Labor. No convict labor may be employed under this contract.

(4) Veterans Preference. In the employment of labor, except in executive, administrative, and supervisory positions, preference shall be given to veterans of the Vietnam era and disabled veterans as defined in Section 515(c) of the Airport and Airway Improvement Act of 1982. However, this preference shall apply only where the individuals are available and qualified to perform the work to which the employment relates.

(5) Withholding: Sponsor from Contractor. Whether or not payments or advances to the Co-Sponsors are withheld or suspended by the FAA, the Co-Sponsors may withhold or cause to be withheld from the Contractor so much of the accrued payments or advances as may be considered necessary to pay laborers and mechanics employed by the Contractor or any subcontractor on the work the full amount of wages required by this contract.

(6) Nonpayment of Wages. If the Contractor or subcontractor fails to pay any laborer or mechanic employed or working on the site of the work any of the wages required by this contract the Co-Sponsors may, after written notice to the Contractor, take such action as may be necessary to cause the suspension of any further payment or advance of funds until the violations cease.

(7) FAA Inspection and Review. The Contractor shall allow any authorized representative of the FAA to inspect and review any work or materials used in the performance of this contract.

(8) Subcontracts. The Contractor shall insert in each of his subcontracts the provisions contained in Paragraphs (1), (3), (4), (5), (6), and (7) above and also a clause requiring the subcontractors to include these provisions in any lower tier subcontracts which they may enter into, together with a clause requiring this insertion in any further subcontracts that may in turn be made.

(9) Contract Termination. A breach of Paragraph (6), (7), and (8) above may be grounds for termination of the contract.

### PROVISIONS REQUIRED BY THE REGULATIONS OF THE SECRETARY OF LABOR 29 CFR 5.5

(a) Contract Provisions and Related Matters.

(1) Minimum Wages.

Revised 1/92

(i) All laborers and mechanics employed or working upon the site of the work will be paid unconditionally and not less often than once a week, and without subsequent deduction or rebate on any account (except such payroll deductions as are permitted by regulations issued by the Secretary of Labor under the Copeland Act (29 CFR Part 3)), the full amount of wages and bona fide fringe benefits (or cash equivalents thereof) due at time of payment computed at rates not less than those contained in the wage determination of the Secretary of Labor which is attached hereto and made a part hereof, regardless of any contractual relationship which may be alleged to exist between the Contractor and such laborers and mechanics. Contributions made or costs reasonably anticipated for bona fide fringe benefits under section 1(b)(2) of the Davis-Bacon Act on behalf of laborers or mechanics are considered wages paid to such laborers or mechanics, subject to the provision of paragraph (a)(1)(iv) of this section; also, regular contributions made or costs incurred for more than a weekly period (but not less often than quarterly) under plans, funds, or programs which cover the particular weekly period, are deemed to be constructively made or incurred during such weekly period. Such laborers and mechanics shall be paid the appropriate wage rate and fringe benefits on the wage determination for the classification of work actually performed, without regard to skill, except as provided in paragraph 5.5(a)(4). Laborers or mechanics performing work in more than one classification may be compensated at the rate specified for each classification for the time actually worked therein: provided, that the employer's payroll records accurately set forth the time spent in each classification in which work is performed. The wage determination (including any additional classification and wage rates conformed under paragraph (a)(1)(ii) of this section) and the Davis-Bacon poster (WH-1321) shall be posted at all times by the Contractor and its subcontractors at the site of the work in a prominent and accessible place where it can be easily seen by the workers.

(ii)(A) The contracting officer shall require that any class of laborers or mechanics which is not listed in the wage determination and which is to be employed under the contract shall be classified in conformance with the wage determination. The contracting officer shall approve an additional classification and wage rate and fringe benefits therefor only when the following criteria have been met:

- (1) The work to be performed by the classification requested is not performed by a classification in the wage determination; and
- (2) The classification is utilized in the area by the construction industry; and
- (3) The proposed wage rate, including any bona fide fringe benefits, bears a reasonable relationship to the wage rates contained in the wage determination.

(ii)(B) If the Contractor and the laborers and mechanics to be employed in the classification (if known), or their representatives, and the contracting officer agree on the classification and wage rate (including the amount designated for fringe benefits where appropriate), a report of the action taken shall be sent by the contracting officer to the Administrator of the Wage and Hour Division, Employment Standards Administration, U.S. Department of Labor, Washington, D.C. 20210. The Administrator, or an authorized representative, will approve, modify, or disapprove every additional classification action within 30 days of receipt and so advise the contracting officer or will notify the contracting officer within the 30-day period that additional time is necessary. (Approved by the Office of Management and Budget under OMB control number 1215-0140).

(ii)(C) In the event the Contractor, the laborers or mechanics to be employed in the classification or their representatives, and the contracting officer do not agree on the proposed classification and wage rate (including the amount designated for fringe benefits, where appropriate), the contracting officer shall refer the questions, including the views of all interested parties and the recommendation of the contracting officer, to the Administrator for determination. The Administrator, or an authorized representative, will issue a determination within 30 days of receipt and so advise the contracting officer or will notify the contracting officer within the 30-day period that additional time is necessary. (Approved by the Office of Management and Budget under OMB control number 1215-0140).



(ii)(D) The wage rate (including fringe benefits where appropriate) determined pursuant to subparagraphs (1)(B) or (C) of this paragraph, shall be paid to all workers performing work in the classification under this contract from the first day on which work is performed in the classification.

(iii) Whenever the minimum wage rate prescribed in the contract for a class of laborers or mechanics includes a fringe benefit which is not expressed as an hourly rate, the Contractor shall either pay the benefit as stated in the wage determination or shall pay another bona fide fringe benefit or an hourly cash equivalent thereof.

(iv) If the Contractor does not make payments to a trustee or other third person, the Contractor may consider as part of the wages of any laborer or mechanic the amount of any costs reasonably anticipated in providing bona fide fringe benefits under a plan or program, provided, that the Secretary of Labor has found, upon the written request of the Contractor, that the applicable standards of the Davis-Bacon Act have been met. The Secretary of Labor may require the Contractor to set aside in a separate account assets for the meeting of obligations under the plan or program. (Approved by the Office of Management and Budget under OMB control number 1215-0140).

(2) Withholding. The Federal Aviation Administration shall upon its own action or written request of an authorized representative of the Department of Labor withhold or cause to be withheld from the Contractor under this contract or any other Federal contract with the same prime Contractor, or any other Federally-assisted contract subject to Davis-Bacon prevailing wage requirements, which is held by the same prime Contractor, so much of the accrued payments or advances as may be considered necessary to pay laborers and mechanics, including apprentices, trainees, and helpers, employed by the Contractor or any subcontractor the full amount of wages required by the contract. In the event of failure to pay any laborer or mechanic, including any apprentice, trainee, or helper, employed or working on the site of the work, all or part of the wages required by the contract, the (Agency) may, after written notice to the Contractor, sponsor, applicant, or owner, take such action as may be necessary to cause the suspension of any further payment, advance, or guarantee of funds until such violations have ceased.

### (3) Payrolls and basic records.

(i) Payrolls and basic records relating thereto shall be maintained by the Contractor during the course of the work and preserved for a period of three years thereafter for all laborers and mechanics working at the site of the work. Such records shall contain the name, address, and social security number of each such work, his or her correct classification, hourly rates of wages paid (including rates of contributions or costs anticipated for bona fide fringe benefits or cash equivalents thereof of the types described in section 1(b)(2)(B) of the Davis-Bacon Act), daily and weekly number of hours worked, deductions made and actual wages paid. Whenever the Secretary of Labor has found under 29 CFR 5.5(a)(1)(iv) that the wages of any laborer or mechanic include the amount of any costs reasonably anticipated in providing benefits under a plan or program described in section 1(b)(2)(B) of the Davis-Bacon Act, the Contractor shall maintain records which show that the commitment to provide such benefits is enforceable, that the plan or program is financially responsible, and that the plan or program has been communicated in writing to the laborers or mechanics affected, and records which show the costs anticipated or the actual cost incurred in providing such benefits. Contractors employing apprentices or trainees under approved programs shall maintain written evidence of the registration of apprenticeship programs and certification of trainee programs, the registration of the apprentices and trainees, and the ratios and wage rates prescribed in the applicable programs. (Approved by the Office Management and Budget under OMB control numbers 1215-0140 and 1215-0017).

(ii)(A) The Contractor shall submit weekly for each week in which any contract work is performed a copy of all payrolls to the Federal Aviation Administration if the agency is a party to the contract, but if the agency is not such a party, the Contractor will submit the payrolls to the applicant, sponsor, or owner, as the case may be, for transmission to the Federal Aviation Administration. The payrolls submitted shall set out accurately and completely all of the information required to be maintained under paragraph 5.5(a)(3)(i) of Regulations, 29 CFR Part 5. This information may be submitted in any form desired.

Optional Form WH-347 is available for this purpose and may be purchased from the Superintendent of Documents (Federal Stock Number 029-005-00014-1), U.S. Government Printing Office, Washington, D.C. 20402. The prime Contractor is responsible for the submission of copies of payrolls by all subcontractors. (Approved by the Office of Management and Budget under OMB control number 1215-0149).

(ii)(B) Each payroll submitted shall be accompanied by a "Statement of Compliance," signed by the Contractor, or subcontractor or his or her agent who pays or supervises the payment of the persons employed under the contract and shall certify the following:

(1) That the payroll for the payroll period contains the information required to be maintained under paragraph 5.5(a)(3)(i) of Regulations, 29 CFR Part 5 and that such information is correct and complete;

(2) That each laborer or mechanic (including each helper, apprentice, and trainee) employed on the contract during the payroll period has been paid the full weekly wages earned, without rebate, either directly or indirectly, and that no deductions have been made either directly or indirectly from the full wages earned, other than permissible deductions as set forth in Regulations, 29 CFR Part 3;

(3) That each laborer or mechanic has been paid not less than the applicable wage rates and fringe benefits or cash equivalents for the classification of work performed as specified in the applicable wage determination incorporated into the contract.

(ii)(C) The weekly submission of a properly executed certification set forth on the reverse side of Optional Form WH-347 shall satisfy the requirement for submission of the "Statement of Compliance" required by paragraph (a)(3)(ii)(B) of this section.

(ii)(D) The falsification of any of the above certifications may subject the Contractor or subcontractor to civil or criminal prosecution under Section 1001 of Title 18 and Section 231 of Title 31 of the United States Code.

(iii) The Contractor or subcontractor shall make the records required under paragraph (a)(3)(i) of this section available for inspection, copying, or transcription by authorized representatives of the (write the name of the agency) or the Department of Labor, and shall permit such representatives to interview employees during working hours on the job. If the Contractor or subcontractor fails to submit the required records or to make them available, the Federal agency may, after written notice to the Contractor, sponsor, applicant, or owner, take such action as may be necessary to cause the suspension of any further payment, advance, or guarantee of funds. Furthermore, failure to submit the required records upon request or to make such records available may be grounds for debarment action pursuant to 29 CFR 5.12.

#### (4) Apprentices and Trainees

(i) Apprentices. Apprentices will be permitted to work at less than the predetermined rate for the work they performed when they are employed pursuant to and individually registered in a bona fide apprenticeship program registered with the U.S. Department of Labor, Employment and Training Administration, Bureau of Apprenticeship and Training, or with a State Apprenticeship Agency recognized by the Bureau, or if a person is employed in his or her first 90 days of probationary employment as a apprentice in such an apprenticeship program, who is not individually registered in the program, but who has been certified by the Bureau of Apprenticeship and Training or a State Apprenticeship Agency (where appropriate) to be eligible for probationary employment as an apprentice. The allowable ratio of apprentices to journeymen on the job site in any craft classification shall not be greater than the ratio permitted to the Contractor as to the entire work force under the registered program. Any worker listed on a payroll at an apprentice wage rate, who is not registered or otherwise employed as stated above, shall be paid not less than the applicable wage rate on the wage determination for the classification of work actually performed. In addition, any apprentice performing work on the job site in excess of the ratio permitted under the registered program shall be paid not less than the applicable wage rate on the wage determination for the work actually performed. Where a Contractor is performing construction on a project in a locality other than that in which its program is registered, the ratios and wage rates (expressed in percentages of the journeyman's hourly rate) specified in the Contractor's or subcontractor's registered program shall be observed. Every apprentice must be paid at not less than the rate specified in the registered program for the apprentice's level of progress, expressed as a percentage of the journeymen hourly rate specified in the applicable wage determination. Apprentices shall be paid fringe benefits in accordance with the provisions of the apprenticeship program. If the apprenticeship program does not specify fringe benefits, apprentices must be paid the full amount of fringe benefits listed on the wage determination for the applicable classification. If the Administrator determines that a different practice prevails for the applicable apprentice classification, fringes shall be paid in accordance with that determination. In the event the Bureau of Apprenticeship and Training, or a State Apprenticeship Agency recognized by the Bureau, withdraws approval of an apprenticeship program, the Contractor will no longer be permitted to utilize apprentices at less than the applicable predetermined rate for the work performed until an acceptable program is approved.

(ii) Trainees. Except as provided in 29 CFR 5.16, trainees will not be permitted to work at less than the predetermined rate for the work performed unless they are employed pursuant to and individually registered in a program which has received prior approval, evidenced by formal certification by the U.S. Department of Labor, Employment and Training Administration. The ratio of trainees to journeymen on the job site shall not be greater than permitted under the plan approved by the Employment and Training Administration. Every trainee must be paid at not less than the rate specified in the approved program for the trainee's level of progress, expressed as a percentage of the journeyman hourly rate specified in the applicable wage determination. Trainees shall be paid fringe benefits in accordance with the provisions of the trainee program. If the trainee program does not mention fringe benefits, trainees shall be paid the full amount of fringe benefits listed on the wage determination unless the Administrator of the Wage and Hour Division determines that there is an apprenticeship program associated with the corresponding journeyman wage rate on the wage determination which provides for less than full fringe benefits for apprentices. Any employee listed on the payroll at a trainee rate who is not registered and participating in a training plan approved by the Employment and Training Administration shall be paid not less than the applicable wage rate on the wage determination for the classification of work actually performed. In addition, any trainee performing work on the job site in excess of the ration permitted under the registered program shall be paid not less than the applicable wage rate on the wage determination for the work actually performed. In the event the Employment and Training Administration withdraws approval of a training program, the contract will no longer be permitted to utilize trainees at less than the applicable predetermined rate for the work performed until an acceptable program is approved.

(iii) Equal employment opportunity. The utilization of apprentices, trainees and journeymen under this part shall be in conformity with the equal employment opportunity requirements of Executive Order 11246, as amended, and 29 CFR Part 30.

(5) Compliance with Copeland Act requirements. The Contractor shall comply with the requirements of 29 CFR Part 3, which are incorporated by reference in this contract.

(6) Subcontracts. The Contractor or subcontractor shall insert in any subcontracts the clauses contained in paragraph (a)(1) through (10) of this contract and such other clauses as the Federal Aviation Administration may by appropriate instructions require, and also a clause requiring the subcontractors to include these clauses in any lower tier subcontracts. The prime Contractor shall be responsible for the compliance by an subcontractor or lower tier subcontractor with all the contract clauses in 29 CFR 5.5.

(7) Contract determination: debarment. A breach of these contract clauses paragraphs (a)(1) through (10) and the 2nd clause (b)(1) through (5) below may be grounds for termination of the contract and for debarment as a Contractor and a subcontractor as provided in 29 CFR 5.12.

(8) Compliance with Davis-Bacon and Related Act requirements. All rulings and interpretations of the Davis-Bacon and Related Acts contained in 29 CFR Parts 1, 3, and 5 are herein incorporated by referenced in this contract.

(9) Disputes concerning labor standards. Disputes arising out of the labor standards provisions of this contract shall not be subject to the general disputes clause of this contract. Such disputes shall be resolved in accordance with the procedures of the Department of Labor set forth in 29 CFR Parts 5, 6, and 7. Disputes within the meaning of this clause include disputes between the Contractor (or any of its subcontractors ) and the contracting agency, the U.S. Department of Labor, or the employees or their representatives.

(10) Certification of Eligibility.

(i) By entering into this contract, the Contractor certifies that neither it (nor he or she) nor any person or firm who has an interest in the Contractor's firm is a person or firm ineligible to be awarded Government contracts by virtue of section 3(a) of the Davis-Bacon Act or 29 CFR 5.12(a)(1).

(ii) No part of this contract shall be subcontracted to any person or firm ineligible for award of a Government contract by virtue of section 3(a) of the Davis-Bacon Act or 29 CFR 5.12(a)(1).

(iii) The penalty for making false statements is prescribed in the U.S. Criminal Code, 18 U.S.C. 1001.

(b) Contract Work Hours and Safety Standards Act. The Agency Head shall cause or require the contracting officer to insert the following clauses set forth in paragraphs (b)(1), (2), (3), (4) and (5) of this section in full in AIP construction contracts in excess of \$2,000. These clauses shall be inserted in addition to the clauses required by paragraph 5.5(a) or paragraph 4.6 of Part 4 of this title. As used in this paragraph, the terms "laborers" and "mechanics" include watchmen and guards.

(1) Overtime requirements: No Contractor or subcontractor contracting for any part of the contract work which may require or involve the employment of laborers, mechanics, watchmen or guards (including apprentices and trainees described in paragraphs 5 and 6 above) shall require or permit any laborer, mechanic, watchman or guard in any workweek in which he/she is employed on such work, to work in excess of 40 hours in such workweek unless such laborer, mechanic, watchman or guard receives compensation at a rate not less than one and one-half times his/her basic rate of pay for all hours worked in excess of 40 hours in such workweek.

(2) Violations: Liability for Unpaid Wages; Liquidated Damages: In the event of any violation of the clause set forth in subparagraph (1) of this paragraph, the Contractor and any subcontractor responsible therefore shall be liable to any affected employee for his/her unpaid wages. In addition, such Contractor and subcontractor shall be liable to the United States (in case of work done under contract for the District of Columbia or a territory, to such District or to such territory), for liquidated damages. Such liquidated damages shall be computed with respect to each individual laborer, mechanic, watchman or guard employed in violation of the clause set forth in subparagraph (1) of this paragraph, in the sum of \$10.00 for each calendar day on which such employee was required or permitted to work in excess of the standard workweek of 40 hours without payment of the overtime wages required by the clause set forth in subparagraph (1) of this paragraph.

(3) Withholding for unpaid wages and liquidated damages. The (write in the name of the Federal agency or the loan or grant recipient) shall upon its own action or upon written request of an authorized representative of the Department of Labor withhold or cause to be withheld, from any moneys payable on account of work performed by the Contractor or subcontractor under any such contract or any other Federal contract with the same prime Contractor, or any other Federally-assisted contract subject to the Contract Work Hours and Safety Standards Act, which is held by the same prime Contractor, such sums as may be determined to be necessary to satisfy any liabilities of such Contractor or subcontractor for unpaid wages and liquidated damages as provided in the clause set forth in subparagraph (2) of this paragraph.

(4) Subcontracts. The Contractor or subcontractor shall insert in any subcontracts the clauses set forth in subparagraph (1) through (4) of this paragraph and also a clause requiring the subcontractors to include these clauses in any lower tier subcontracts. The prime Contractor shall be responsible for compliance by any subcontractor or lower tier subcontractor with the clauses set forth in subparagraphs (1) through (4) of this paragraph.

(5) Working Conditions. No Contractor or subcontractor may require any laborer or mechanic employed in the performance of any contract to work in surroundings or under working conditions that are unsanitary, hazardous, or dangerous to his health or safety as determined under construction safety and health standards (29 CFR 1926) issued by Department of Labor.

(c) In addition to the clauses contained in paragraph (b), in any contract subject only to the Contract Work Hours and Safety Standards Act and not to any of the other statutes cited in paragraph 5.1, the Agency Head shall cause or require the contracting officer to insert a clause requiring that the Contractor or subcontractor shall maintain payrolls and basic payroll records during the course of the work and shall preserve them for a period of three years from the completion of the contract for all laborers and mechanics, including guards and watchmen, working on the contract. Such records shall contain the name and address of each such employee, social security number, correct classifications, hourly rates of wages paid, daily and weekly number of hours worked, deductions made, and actual wages paid. Further, the Agency Head shall cause or require the contracting officer to insert in any such contract a clause providing that the records to be maintained under this paragraph shall be made available by the Contractor or subcontractor for inspection, copying, or transcription by authorized representatives of the (write the name of agency) and the Department of Labor, and the Contractor or subcontractor will permit such representatives to interview employees during working hours on the job. (Approved by the Office of Management and Budget under OMB control numbers 1215-0140 and 1215-0017).

FEDERAL REGULATIONS VOL. 40, #74,  
WEDNESDAY, APRIL 16, 1975, PAGE 17124,  
ADMINISTRATION OF THE CLEAR AIR ACT  
& WATER POLLUTION CONTROL ACT  
(with respect to Federal Grants)

In connection with the administration of the Clean Air Act and the Water Pollution Control Act with respect to Federal Grants, specific requirements have been imposed of any contract which is not exempt under the provisions of 40 CFR 15.5.

(1) Any facility listed on the EPA List of Violating Facilities pursuant to Paragraph 15.20 of 40 CFR as of the date of the contract award will not be utilized in the performance of any non-exempt contract or subcontract.

(2) The Contractor shall comply with all the requirements of Section 114 of the Clean Air Act, as amended, 42 USC 1857 et seq. and Section 308 of the Federal Water Pollution Control Act, as amended, 33 USC 1251 et seq. relating to inspection, monitoring, entry, reports and information, as well as all other requirements specified in Section 114 and Section 308 of the Air Act and Water Act, respectively, and all regulations and guidelines issued thereunder after the award of the contract.

(3) Prompt notification shall be required prior to contract award to the awarding official by the Contractor who will receive the award of the receipt of any communication from the Director, Office of Federal Activities, U.S. Environmental Protection Agency, indicating that a facility to be utilized for the contract is under consideration to be listed on the EPA List of Violating Facilities.

(4) The Contractor shall include or cause to be included the criteria and requirements in paragraphs 1 through 4 in any non-exempt subcontract and will take such action as the Government may direct as a means of enforcing such provisions.

Attachment No. 1

During the performance of the contract, the Contractor agrees as follows:

- (1) The Contractor will not discriminate against any employee or applicant for employment because of race, color, religion, sex or national origin. The Contractor will take affirmative action to ensure that applicants are employed, and that employees are treated during employment without regard to their race, color, religion, sex or national origin. Such action shall include, but not be limited to the following: Employment, upgrading, demotion or transfer, recruitment or recruitment advertising, layoff or termination, rates of pay or other forms of compensation, and selection for training including apprenticeship. The Contractor agrees to post in conspicuous places, available to employees and applicants for employment, notices to be provided setting forth the provisions of this nondiscrimination clause.
- (2) The Contractor will, in all solicitations or advertisements for employees placed by or on the behalf of the Contractor, state that all qualified applicants will receive consideration for employment without regard to race, color, religion, sex or national origin.
- (3) The Contractor will send to each labor union or representative of workers with which he has a collective bargaining agreement or other contract or understanding, a notice to be provided advising the said labor union or worker's representatives of the Contractor's commitments under this section, and shall post copies of the notice in conspicuous places available to employees and applicants for employment.
- (4) The Contractor will comply with all provisions of Executive Order 11246 of September 24, 1965, and of the rules, regulations, and relevant orders of the Secretary of Labor.
- (5) The Contractor will furnish all information and reports required by Executive Order 11246 of September 24, 1965, and by rules, regulations and orders of the Secretary of Labor, or pursuant thereto, and will permit access to his books, records, and accounts by the administering agency and the Secretary of Labor for purposes of investigation to ascertain compliance with such rules, regulations, and orders.
- (6) In the event of the Contractor's noncompliance with the nondiscrimination clauses of this contract or with any of the said rules, regulations, or orders, this contract may be canceled, terminated, or suspended in whole or in part and the Contractor may be declared ineligible for further government contracts or federally assisted construction contracts in accordance with procedures authorized in Executive Order 11246 of 24 September 1965, and such other sanctions may be imposed and remedies invoked as provided in Executive Order 11246 of 24 September 1965, or by rule, regulation or order of the Secretary of Labor, or as otherwise provided by law.
- (7) The Contractor will include the portion of the sentence immediately preceding paragraph (1) and the provisions of paragraphs (1) through (7) in every subcontract or purchase order unless exempted by rules, regulations, or orders of the Secretary of Labor issued pursuant to Section 204 of Executive Order 11246 of 24 September 1965, so that such provisions will be binding upon each subcontractor or vendor. The Contractor will take such action with respect to any subcontract or purchase order as the administering agency may direct as means of enforcing such provisions, including sanctions for noncompliance; provided, however, that in the event a Contractor becomes involved in, or is threatened with, litigation with a subcontractor or vendor as a result of such direction by the administering agency, the Contractor may request the United States to enter into such litigation to protect the interests of the United States.

ATTACHMENT NO. 2

EACH PRIME CONTRACTOR SHALL INSERT IN EACH SUBCONTRACT THE CERTIFICATION IN APPENDIX B, AND FURTHER, SHALL REQUIRE ITS INCLUSION IN ANY LOWER TIER SUBCONTRACT, PURCHASE ORDER, OR TRANSACTION THAT MAY IN TURN BE MADE.

- Appendix B of 49 CFR Part 29 -

This certification applies to subcontractors, material suppliers, vendors and other lower tier participants.

Appendix B--Certification Regarding Debarment, Suspension, Ineligibility and Voluntary Exclusion--Lower Tier Covered Transactions

Instructions for Certification

1. By signing and submitting this proposal, the prospective lower tier participant is providing the certification set out below.

2. The certification in this clause is a material representation of fact upon which reliance was placed when this transaction was entered into. If it is later determined that the prospective lower tier participant knowingly rendered an erroneous certification, in addition to other remedies available to the Federal Government, the department or agency with which this transaction originated may pursue available remedies, including suspension and/or debarment.

3. The prospective lower tier participant shall provide immediate written notice to the person to which this proposal is submitted if at any time the prospective lower tier participant learns that its certification was erroneous when submitted or has become erroneous by reason of changed circumstances.

4. The terms "covered transaction," "debarred," "suspended," "ineligible," "lower tier covered transaction," "participant," "person," "primary covered transaction," "principal," "proposal," and "voluntarily excluded," as used in this clause sections of rules implementing Executive Order 12549. You may contact the person to which this proposal is submitted for assistance in obtaining a copy of those regulations.

5. The prospective lower tier participant agrees by submitting this proposal that, should the proposed covered transaction be entered into, it shall not knowingly enter into any lower tier covered transaction with a person who is debarred, suspended, declared ineligible, or voluntarily excluded from participation in this covered transaction, unless authorized by the department or agency with which this transaction originated.

6. The prospective lower tier participant further agrees by submitting this proposal that it will include this clause titled "Certification Regarding Debarment, Suspension, Ineligibility and Voluntary Exclusion--Lower Tier Covered Transaction," without modification, in all lower tier covered transactions and in all solicitations for lower tier covered transactions.

7. A participant in a covered transaction may rely upon a certification of a prospective participant in a lower tier covered transaction that it is not debarred, suspended, ineligible, or voluntarily excluded from the covered transaction, unless it knows that the certification is erroneous. A participant may decide the method and frequency by which it determines the eligibility of its principals. Each participant may, but is not required to, check the Nonprocurement List.

8. Nothing contained in the foregoing shall be construed to require establishment of a system of records in order to render in good faith the certification required by this clause. The knowledge and information of a participant is not required to exceed that which is normally possessed by a prudent person in the ordinary course of business dealings.

9. Except for transactions authorized under paragraph 5 of these instructions, if a participant in a covered transaction knowingly enters into a lower tier covered transaction with a person who is suspended, debarred, ineligible, or voluntarily excluded from participation in this transaction, in addition to other remedies available to the Federal Government, the department or agency with which this transaction originated may pursue available remedies, including suspension and/or debarment.

Certification Regarding Debarment, Suspension, Ineligibility and Voluntary Exclusion--Lower Tier Covered Transactions

(1) The prospective lower tier participant certifies, by submission of this proposal, that neither it nor its principals is presently debarred, suspended, proposed for debarment, declared ineligible, or voluntarily excluded from participation in this transaction by any Federal department or agency.

(2) Where the prospective lower tier participant is unable to certify to any of the statements in this certification, such prospective participant shall attach an explanation to this proposal.

STATE REQUIRED CONTRACT PROVISIONS  
ALL FEDERAL-AID CONSTRUCTION CONTRACTS

Effective February 1, 1969  
Revised January 2, 1973

The following provisions are State of Illinois requirements and are in addition to the Federal requirements.

"EQUAL EMPLOYMENT OPPORTUNITY"

In the event of the Contractor's noncompliance with any provisions of this Equal Employment Opportunity Clause, the Illinois Fair Employment Practices Act or the Fair Employment Practices Commission's Rules and Regulations for Public Contracts, the Contractor may be declared nonresponsible and therefore ineligible for future contracts or subcontracts with the State of Illinois or any of its political subdivisions or municipal corporations, and the contract may be canceled or avoided in whole or in part, and such other sanctions or penalties may be imposed or remedies invoked as provided by statute or regulation.

During the performance of this contract, the Contractor agrees as follows:

- (1) That it will not discriminate against any employee or applicant for employment because of race, color, religion, sex, national origin or ancestry; and further that it will examine all job classifications to determine if minority persons or women are underutilized and will take appropriate affirmative action to rectify any such underutilization.
- (2) That, if it hires additional employees in order to perform this contract or any portion hereof, it will determine the availability (in accordance with the Commission's Rules and Regulations for Public Contracts) of minorities and women in the area(s) from which it may reasonably recruit and it will hire for each job classification for which employees are hired in such a way that minorities and women are not underutilized.
- (3) That, in all solicitations or advertisements for employees placed by it or on its behalf, it will state that all applicants will be afforded equal opportunity without discrimination because of race, color, religion, sex, national origin or ancestry.
- (4) That it will send to each labor organization or representative of workers with which it has or is bound by a collective bargaining or other agreement or understanding, a notice advising such labor organization or representative of the Contractor's obligations under the Illinois Fair Employment Practices Act and the Commission's Rules and Regulations for Public Contracts. If any such labor organization or representative fails or refuses to cooperate with the Contractor in its efforts to comply with such Act and Rules and Regulations, the Contractor will promptly so notify the Illinois Fair Employment Practices Commission and the contracting agency and will recruit employees from other sources when necessary to fulfill its obligations thereunder.
- (5) That it will submit reports as required by the Illinois Fair Employment Practices Commission's Rules and Regulations for Public Contracts, furnish all relevant information as may from time to time be requested by the Commission or the contracting agency, and in all respects comply with the Illinois Fair Employment Practices Act and the Commission's Rules and Regulations for Public Contracts.
- (6) That it will permit access to all relevant books, records, accounts and work sites by personnel of the contracting agency and the Illinois Fair Employment Practices Commission for purposes of investigation to ascertain compliance with the Illinois Fair Employment Practices Act and the Commission's Rules and Regulations for Public Contracts.
- (7) That it will include verbatim or by reference the provisions of paragraphs 1 through 7 of this clause in every performance subcontract as defined in Section 2.10(b) of the Commission's Rules and Regulations for Public Contracts so that such provisions will be binding upon every subcontractor; and that it will also so include the provisions or paragraphs 1, 5, 6 and 7 in every supply subcontract as defined in Section 2.10(a) of the Commission's Rules and Regulations for Public Contracts so that such provisions will be binding upon every such subcontractor. In the same manner as with other provisions of this contract, the Contractor will be liable for compliance with applicable provisions of this clause by all its subcontractors; and further it will promptly notify the contracting agency and the Illinois Fair Employment Practices Commission in the event any subcontractor fails or refuses to comply therewith. In addition, no Contractor will utilize any subcontractor declared by the Commission to be nonresponsible and therefore ineligible for contracts or subcontracts with the State of Illinois or any of its political subdivisions or municipal corporations.



CONSTRUCTION CONTRACT PROCUREMENT POLICIES

TABLE OF CONTENTS

SECTION 1

Proposal Requirements and Conditions

SUB-SECTION

|  |    |
|--|----|
| 1-01 ADVERTISEMENT (Notice to Bidders).....              | 44 |
| 1-02 PREQUALIFICATION OF BIDDERS.....                    | 44 |
| 1-03 CONTENTS OF PROPOSAL FORMS.....                     | 45 |
| 1-04 ISSUANCE OF PROPOSAL FORMS.....                     | 45 |
| 1-05 INTERPRETATION OF QUANTITIES IN BID SCHEDULE.....   | 45 |
| 1-06 EXAMINATION OF PLANS, SPECIFICATIONS, AND SITE..... | 45 |
| 1-07 PREPARATION OF THE PROPOSAL.....                    | 46 |
| 1-08 REJECTION OF PROPOSALS.....                         | 46 |
| 1-09 PROPOSAL GUARANTY.....                              | 46 |
| 1-10 DELIVERY OF PROPOSALS.....                          | 47 |
| 1-11 WITHDRAWAL OF PROPOSALS.....                        | 47 |
| 1-12 PUBLIC OPENING OF PROPOSALS.....                    | 47 |
| 1-13 DISQUALIFICATION OF BIDDERS.....                    | 47 |
| 1-14 WORKER'S COMPENSATION INSURANCE.....                | 47 |

SECTION 2

Award and Execution of Contract

SUB-SECTION

|  |    |
|--|----|
| 2-01 CONSIDERATION OF PROPOSALS.....                   | 47 |
| 2-02 AWARD OF CONTRACT.....                            | 48 |
| 2-03 CANCELLATION OF AWARD.....                        | 48 |
| 2-04 RETURN OF PROPOSAL GUARANTY.....                  | 48 |
| 2-05 REQUIREMENT OF PERFORMANCE AND PAYMENT BONDS..... | 48 |
| 2-06 EXECUTION OF CONTRACT.....                        | 48 |
| 2-07 APPROVAL OF CONTRACT.....                         | 48 |
| 2-08 FAILURE TO EXECUTE CONTRACT.....                  | 48 |

## SECTION 1

### PROPOSAL REQUIREMENTS AND CONDITIONS

1-01 ADVERTISEMENT (Notice to Bidders). The State of Illinois shall publish the advertisement at such places and at such times as are required by local law or ordinances. The published advertisement shall state the time and place for submitting sealed proposals; a description of the proposed work; instructions to bidders as to obtaining proposal forms, plans, and specifications; proposal guaranty required; and the Owner's right to reject any and all bids.

For Federally assisted contracts the advertisement shall conform to the requirements of local laws and ordinances pertaining to letting of contracts and, in addition, shall conform to the requirements of the appropriate parts of the Federal Aviation Regulations applicable to the particular contract being advertised.

#### 1-02 PREQUALIFICATION OF BIDDERS.

- (a) When the awarding authority is the State of Illinois, each prospective bidder, prior to being considered for issuance of any proposal forms will be required to file, on forms furnished by the Department, an experience questionnaire and a confidential financial statement in accordance with the Department's Instructions for Prequalification of Contractors. The Statement shall include a complete report of the prospective bidder's financial resources and liabilities, equipment, past record and personnel, and must be submitted at least thirty (30) days prior to the scheduled opening of bids in which the Contractor is interested.

After the Department has analyzed the submitted "Contractor's Statement of Experience and Financial Condition" and related information and has determined appropriate ratings, the Department will issue to the Contractor a "Certificate of Eligibility". The Certificate will permit the Contractor to obtain proposal forms and plans for any Department of Transportation letting on work which is within the limits of the Contractor's potential as indicated on his "Certificate of Eligibility", subject to any limitations due to present work under contract or pending award as determined from the Contractor's submitted "Affidavit of Availability". Bidders intending to consistently submit proposals shall submit a "Contractor's Statement of Experience and Financial Condition" at least once a year. However, prequalification may be changed during that period upon the submission of additional favorable reports or upon reports of unsatisfactory performance.

Before a proposal is issued, the prospective bidder will be required to furnish an "Affidavit of Availability" indicating the location and amount of all uncompleted work under contract, or pending award, either as principal or subcontractor, as well as a listing of all subcontractors and value of work sublet to others. The prospective bidder may be requested to file a statement showing the amount and condition of equipment which will be available.

Before an award is made, the bidder may be required to furnish an outline of his plans for conducting the work.

- (b) When the awarding authority for contract construction work is the County Board of a county; the Council, the City Council, or the President and Board of Trustees of a city, village or town, each prospective bidder, in evidence of his competence, shall furnish the awarding authority as a prerequisite to the release of proposal forms by the awarding authority, a certified or photostatic copy of a "Certificate of Eligibility" issued by the Department of Transportation, in accordance with Section 1-02(a).

The two low bidders must file within 24 hours after the letting a sworn affidavit, in triplicate, showing all uncompleted contracts awarded to them and all low bids pending award for Federal, State, County, Municipal and private work, using the blank form made available for this affidavit. One copy shall be filed with the awarding authority and two copies with the District Highway Office.

1-03 CONTENTS OF PROPOSAL FORMS. Upon request, the Department will furnish the prequalified bidders a proposal form. This form will state the location and description of the contemplated construction and will show the estimate of the various quantities and kinds of work to be performed or materials to be furnished, and will have a schedule of items for which unit bid prices are invited. The proposal form will state the time in which work must be completed, the amount of the proposal guaranty, labor requirements, and date, time and place of the opening of proposals. The form will also include any special provisions or requirements which vary from or are not contained in these specifications.

All papers bound with or attached to the proposal form are considered a part thereof and must not be detached or altered when the proposal is submitted. Any addenda officially issued by the Department, will be considered a part of the proposal whether attached or not.

For Federally assisted contracts, the proposal shall conform to the requirements of local laws and ordinances pertaining to letting of contracts and, in addition, shall conform to the requirements of the appropriate parts of the Federal Aviation Regulations pertaining to the particular contract being let.

1-04 ISSUANCE OF PROPOSAL FORMS. The Department shall refuse to issue a proposal form for any of the following reasons:

- (a) Lack of competency and adequate machinery, plant and other equipment, as revealed by the financial statement and experience questionnaires required under Section 1-02(a).
- (b) Uncompleted work which, in the judgment of the Department, might hinder or prevent the prompt completion of additional work if awarded.
- (c) False information provided on a bidder's "Affidavit of Availability".
- (d) Failure to pay, or satisfactorily settle, all bills due for labor and material on former contracts in force at the time of issuance of proposal forms.
- (e) Failure to comply with any prequalification regulations of the Department.
- (f) Default under previous contracts.
- (g) Unsatisfactory performance record as shown by past work for the Department, judged from the standpoint of workmanship and progress.
- (h) When the Contractor is suspended from eligibility to bid at a public letting where the contract is awarded by, or require approval of, the Department.
- (i) When any agent, servant, or employee of the prospective bidder currently serves as a member, employee, or agent of a governmental body that is financially involved in the proposed work.
- (j) When any agent, servant, or employee of the prospective bidder has participated in the preparation of plans or specifications for the proposed work.

1-05 INTERPRETATION OF QUANTITIES IN BID SCHEDULE. An estimate of quantities of work to be done and materials to be furnished under these specifications is given in the proposal. It is the result of careful calculations and is believed to be correct. It is given only as a basis for comparison of proposals and the award of the contract. The Owner does not expressly or by implication agree that the actual quantities involved will correspond exactly therewith; nor shall the bidder plead misunderstanding or deception because of such estimates of quantities, or of the character, location, or other conditions pertaining to the work. Payment to the Contractor will be made only for the actual quantities of work performed or materials furnished in accordance with the plans and specifications. It is understood that the quantities may be increased or decreased as provided in the subsection titled ALTERATION OF WORK AND QUANTITIES of Section 20 of the Illinois Standard Specifications for Construction of Airports without in any way invalidating the unit bid prices.

1-06 EXAMINATION OF PLANS, SPECIFICATIONS, AND SITE. The bidder is expected to carefully examine the site of the proposed work, the proposal, plans, specifications, and contract forms. He shall satisfy himself as to the character, quality, and quantities of work to be performed, materials to be furnished, and as to the requirements of the proposed contract. The submission of a proposal shall be prima facie evidence that the bidder has made such examination and is satisfied as to the conditions to be encountered in performing the work and as to the requirements of the proposed contract, plans, and specifications.

Boring logs, underground utilities and other records of subsurface investigations and tests are available for inspection of bidders. It is understood and agreed that such subsurface information, whether included in the plans, specifications, or otherwise made available to the bidder, was obtained and is intended for the Owner's design and estimating purposes only. Such information has been made available for the convenience of all bidders. It is further understood and agreed that each bidder is solely responsible for all assumptions, deductions, or conclusions which he may make or obtain from his examination of the boring logs and other records of subsurface investigations and tests that are furnished by the Owner.

1-07 PREPARATION OF THE PROPOSAL. The bidder shall submit his proposal on the form furnished by the Department. The proposal shall be executed property, and bids shall be made for all items indicated in the proposal form, except that when alternate bids are asked, a bid on more than one alternate for each item is not required, unless otherwise provided. The bidder shall indicate, in figures, a unit price for each of the separate items called for in the proposal; he shall show the products of the respective quantities and unit prices in the column provided for that purpose, and the gross sum shown in the place indicated in the proposal shall be the summation of said products. All writing shall be with ink or typewriter, except the signature of the bidder which shall be written with ink.

If the proposal is made by an individual, his name and business address shall be shown. If made by a firm or partnership, the name and business address of each member of the firm or partnership shall be shown. If made by a corporation, the proposal shall show the names, titles, and business address of the president, secretary, and treasurer, and the seal of the corporation shall be affixed and attested by the secretary.

The proposal shall be issued to a prequalified bidder in the same name and style as the financial statement used for prequalification and shall be submitted in like manner.

1-08 REJECTION OF PROPOSALS. The Department reserves the right to reject proposals for any of the conditions in Article 1-04 or for any of the following reasons:

- (a) More than one proposal for the same work from an individual, firm, partnership, or corporation under the same or different names.
- (b) Evidence of collusion among bidders.
- (c) Unbalanced proposals in which the prices for some items are obviously out of proportion to the prices for other items.
- (d) If the proposal does not contain a unit price for each pay item listed except in the case of authorized alternate pay items or lump sum pay items.
- (e) If the proposal is other than that furnished by the Department; or if the form is altered or any part thereof is detached.
- (f) If there are omissions, erasures, alterations, unauthorized additions, conditional or alternate bids, or irregularities of any kind which may tend to make the proposal incomplete, indefinite, or ambiguous as to its meaning.
- (g) If the bidder adds any provisions reserving the right to accept or reject an award, or to enter into a contract pursuant to an award.
- (h) If the proposal is not accompanied by the proper proposal guaranty.
- (i) If the proposal is prepared with other than ink or typewriter.
- (j) If the proposal is submitted in any other name other than that to whom it was issued by the Department.

1-09 PROPOSAL GUARANTY. Each Proposal shall be accompanied by either a bid bond on the Department of Transportation, Division of Aeronautics form contained in the proposal, executed by a corporate surety company satisfactory to the Department or by a bank cashier's check or a properly certified check for not less than 5 percent of the amount bid.

Bank cashier's checks, or properly certified checks accompanying proposals shall be made payable to the Treasurer, State of Illinois.

1-10 DELIVERY OF PROPOSALS. Each proposal should be submitted in a special envelope furnished by the Department. The blank spaces on the envelope shall be filled in correctly to clearly indicate its contents. When an envelope other than the special one furnished by the Department is used, it shall be of the same general size and shape and be similarly marked to clearly indicate its contents. When sent by mail, the sealed proposal shall be addressed to the Department at the address and in care of the official in whose office the bids are to be received. All proposals shall be filed prior to the time and place specified in the Notice to Bidders. Proposals received after the time for opening of bids will be returned to the bidder unopened.

1-11 WITHDRAWAL OF PROPOSALS. Permission will be given a bidder to withdraw a proposal if he makes his request in writing or by telegram before the time for opening proposals. If a proposal is withdrawn, the bidder will not be permitted to resubmit this proposal at the same letting. With the approval of the Engineer, a bidder may withdraw a proposal and substitute a new proposal prior to the time of opening bids.

1-12 PUBLIC OPENING OF PROPOSALS. Proposals will be opened and read publicly at the time and place specified in the Notice to Bidders. Bidders, their authorized agents, and other interested parties are invited to be present.

1-13 DISQUALIFICATION OF BIDDERS. A bidder shall be considered disqualified for any of the following reasons:

- (a) Submitting more than one proposal from the same partnership, firm, or corporation under the same or different name.
- (b) Evidence of collusion among bidders. Bidders participating in such collusion shall be disqualified as bidders for any future work of the Owner.
- (c) If the bidder is considered to be in "default" for any reason specified in the Subsection 1-04 titled ISSUANCE OF PROPOSAL FORMS of this section.

1-14 WORKER'S COMPENSATION INSURANCE. Prior to the approval of his contract by the Division, the Contractor shall furnish to the Division certificates of insurance covering Worker's Compensation, or satisfactory evidence that this liability is otherwise taken care of in accordance with Section 4.(a) of the "Worker's Compensation Act of the State of Illinois" as amended.

## SECTION 2

### AWARD AND EXECUTION OF CONTRACT

2-01 CONSIDERATION OF PROPOSALS. After the proposals are publicly opened and read, they will be compared on the basis of the summation of the products obtained by multiplying the estimated quantities shown in the proposal by the unit bid prices. In the event of a discrepancy between unit bid prices and extensions, the unit bid price shall govern.

Until the award of a contract is made, the Owner reserves the right to reject a bidder's proposal for any of the following reasons:

- (a) If the proposal is irregular as specified in the subsection titled REJECTION OF PROPOSALS of Section 1.
- (b) If the bidder is disqualified for any of the reasons specified in the subsection titled DISQUALIFICATION OF BIDDERS of Section 1.

In addition, until the award of a contract is made, the Owner reserves the right to reject any or all proposals; waive technicalities, if such waiver is in the best interest of the Owner and is in conformance with applicable State and Local laws or regulations pertaining to the letting of construction contracts; advertise for new proposals; or proceed with the work otherwise.

2-02 AWARD OF CONTRACT. The award of contract will be made within 60 calendar days after the opening of proposals to the lowest responsible and qualified bidder whose proposal complies with all the requirements prescribed. The successful bidder will be notified by letter, that his bid has been accepted, and that he has been awarded the contract.

If a contract is not awarded within 60 days after the opening of proposals, a bidder may file a written request with the Division for the withdrawal of his bid and the Division will permit such withdrawal.

For Federally assisted contracts, unless otherwise specified in this subsection, no award shall be made until the FAA has concurred in the Owner's recommendation to make such award and has approved the Owner's proposal contract to the extent that such concurrence and approval are required by Federal Regulations.

2-03 CANCELLATION OF AWARD. The Division reserves the right to cancel the award without liability to the bidder at any time before a contract has been fully executed by all parties and is approved by the Owner in accordance with the subsection titled APPROVAL OF CONTRACT of this section. The Division at the time of cancellation will return the proposal guaranty.

2-04 RETURN OF PROPOSAL GUARANTY. The proposal guaranties of all except the two lowest bidders will be returned promptly after the proposals have been checked, tabulated, and the relation of the proposals established. Proposal guaranties of the two lowest bidders will be returned as soon as the Construction Contract, Performance Bonds, and Payment Bonds of the successful bidder have been properly executed and approved.

If any other form of proposal guaranty is used, other than a bid bond, a bid bond may be substituted at the Contractor's option.

2-05 REQUIREMENT OF PERFORMANCE AND PAYMENT BONDS. The successful bidder for a contract, at the time of the execution of the contract, shall deposit with the Division separate performance and payment bonds each for the full amount of the contract. The form of the bonds shall be that furnished by the Division, and the sureties shall be acceptable to the Division.

2-06 EXECUTION OF CONTRACT. The successful bidder shall sign (execute) the Contract and shall return the signed Contract to the Owner (Sponsor) for signature (execution) and subsequently return all copies to the Division. The fully executed surety bonds specified in the subsection title REQUIREMENTS OF PERFORMANCE AND PAYMENT BONDS of this section will be forwarded to the Division within 15 days of the date mailed or otherwise delivered to the successful bidder. If the Contract and Bonds are mailed, special handling is recommended.

If the bidder to whom award is to be made is a corporation organized under the laws of a State other than Illinois, the bidder shall furnish the Division a copy of the corporation's certificate of authority to do business in the State of Illinois with the return of the executed contract and bond. Failure to furnish such evidence of a certificate of authority within the time required will be considered as just cause for the annulment of the award and the forfeiture of the proposal guaranty to the State, not as a penalty, but in payment of liquidated damages sustained as a result of such failure.

2-07 APPROVAL OF CONTRACT. Upon receipt of the contract and bonds that have been executed by the successful bidder, the Owner shall complete the execution of the contract in accordance with local laws or ordinances, and return the contract to the Division for approval and execution by the Division. Delivery of the fully executed contract to the Contractor shall constitute the Department's approval to be bound by the successful bidder's proposal and the terms of the contract.

2-08 FAILURE TO EXECUTE CONTRACT. If the contract is not executed by the Division within 15 days following receipt from the bidder of the properly executed contracts and bonds, the bidder shall have the right to withdraw his bid without penalty.

Failure of the successful bidder to execute the contract and file acceptable bonds within 15 days after the contract has been mailed to him shall be just cause for the cancellation of the award and the forfeiture of the proposal guaranty which shall become the property of the State, not as a penalty, but as liquidation of damages sustained.

ILLINOIS DEPARTMENT OF TRANSPORTATION

DIVISION OF AERONAUTICS

The requirements of the following provisions written for Federally-assisted construction contracts, including all goals and timetables and affirmative action steps, shall also apply to all State-funded construction contracts awarded by the Illinois Department of Transportation.

NOTICE OF REQUIREMENT FOR AFFIRMATIVE ACTION TO ENSURE EQUAL EMPLOYMENT OPPORTUNITY (EXECUTIVE ORDER 11246)

1. The Offeror's or Bidder's attention is called to the "Equal Opportunity Clause" and the "Standard Federal Equal Employment Opportunity Construction Contract Specifications" set forth herein.

2. The goals and timetables for minority and female participation, expressed in percentage terms for the Contractor's aggregate workforce in each trade on all construction work in the covered area, are as follows:

APPENDIX A

The following goal for female utilization in each construction craft and trade shall apply to all Contractors holding Federal and federally assisted construction contracts and subcontracts in excess of \$10,000. The goal is applicable to the Contractor's total on-site construction workforce, regardless of whether or not part of that workforce is performing work on a Federal, federally assisted or nonfederally related construction contract or subcontract.

AREA COVERED (STATEWIDE)

Goals for Women apply nationwide.

GOAL

|                         | Goal<br>(percent) |
|-------------------------|-------------------|
| Female Utilization..... | ... 6.9           |

APPENDIX B

Until further notice, the following goals for minority utilization in each construction craft and trade shall apply to all Contractors holding Federal and federally-assisted construction contracts and subcontracts in excess of \$10,000. to be performed in the respective geographical areas. The goals are applicable to the Contractor's total on-site construction workforce, regardless of whether or not part of that workforce is performing work on a Federal, federally-assisted or nonfederally related construction contract or subcontract.

| <u>Economic Area</u>  | <u>Goal<br/>(percent)</u> |
|---|---------------------------|
| 056 Paducah, KY:  |                           |
| Non-SMSA Counties -   | 5.2                       |
| IL - Hardin, Massac, Pope   |                           |
| KY - Ballard, Caldwell, Calloway, Carlisle, Crittenden,<br>Fulton, Graves, Hickman, Livingston, Lyon, McCracken, Marshall |                           |

Revised 08-31-83

| <u>Economic Area</u>   | <u>Goal<br/>(percent)</u> |
|--|---------------------------|
| 080 Evansville, IN:  |                           |
| Non-SMSA Counties -  | 3.5                       |
| IL - Edwards, Gallatin, Hamilton, Lawrence, Saline, Wabash, White              |                           |
| IN - Dubois, Knox, Perry, Pike, Spencer  |                           |
| KY - Hancock, Hopkins, McLean, Mublenberg, Ohio, Union, Webster                |                           |
| 081 Terre Haute, IN:   |                           |
| Non-SMSA Counties -  | 2.5                       |
| IL - Clark, Crawford   |                           |
| IN - Parke   |                           |
| 083 Chicago, IL:   |                           |
| SMSA Counties:   | 19.6                      |
| 1600 Chicago, IL -   |                           |
| IL - Cook, DuPage, Kane, Lake, McHenry, Will                                   |                           |
| 3740 Kankakee, IL -  | 9.1                       |
| IL - Kankakee  |                           |
| Non-SMSA Counties  | 18.4                      |
| IL - Bureau, DeKalb, Grundy, Iroquois, Kendall, LaSalle, Livingston,<br>Putnam |                           |
| IN - Jasper, Laporte, Newton, Pulaski, Starke                                  |                           |
| 084 Champaign - Urbana, IL:  |                           |
| SMSA Counties:   |                           |
| 1400 Champaign - Urbana - Rantoul, IL -  | 7.8                       |
| IL - Champaign   |                           |
| Non-SMSA Counties -  | 4.8                       |
| IL - Coles, Cumberland, Douglas, Edgar, Ford, Piatt, Vermilion                 |                           |
| 085 Springfield - Decatur, IL:   |                           |
| SMSA Counties:   |                           |
| 2040 Decatur, IL -   | 7.6                       |
| IL - Macon   |                           |
| 7880 Springfield, IL -   | 4.5                       |
| IL - Mendard, Sangamon   |                           |
| Non-SMSA Counties  | 4.0                       |
| IL - Cass, Christian, Dewitt, Logan, Morgan, Moultrie, Scott, Shelby           |                           |
| 086 Quincy, IL:  |                           |
| Non-SMSA Counties  | 3.1                       |
| IL - Adams, Brown, Pike  |                           |
| MO - Lewis, Marion, Pike, Ralls  |                           |
| 087 Peoria, IL:  |                           |
| SMSA Counties:   |                           |
| 1040 Bloomington - Normal, IL -  | 2.5                       |
| IL - McLean  |                           |

Revised 08-31-83



APPENDIX B (CONTINUED)

| <u>Economic Area</u>  | <u>Goal<br/>(percent)</u> |
|---|---------------------------|
| 6120 Peoria, IL -<br>IL - Peoria, Tazewell, Woodford  | 4.4                       |
| Non-SMSA Counties -<br>IL - Fulton, Knox, McDonough, Marshall, Mason, Schuyler, Stark, Warren   | 3.3                       |
| 088 Rockford, IL:<br>SMSA Counties:<br>6880 Rockford, IL -<br>IL - Boone, Winnebago   | 6.3                       |
| Non-SMSA Counties -<br>IL - Lee, Ogle, Stephenson   | 4.6                       |
| 098 Dubuque, IA:<br>Non-SMSA Counties -<br>IL - JoDaviess<br>IA - Atlamakee, Clayton, Delaware, Jackson, Winnesheik<br>WI - Crawford, Grant, Lafayette  | 0.5                       |
| 099 Davenport, Rock Island, Moline, IA - IL:<br>SMSA Counties:<br>1960 Davenport, Rock Island, Moline, IA - IL -<br>IL - Henry, Rock Island<br>IA - Scott   | 4.6                       |
| Non-SMSA Counties -<br>IL - Carroll, Hancock, Henderson, Mercer, Whiteside<br>IA - Clinton, DesMoines, Henry, Lee, Louisa, Muscatine<br>MO - Clark  | 3.4                       |
| 107 St. Louis, MO:<br>SMSA Counties:<br>7040 St. Louis, MO - IL -<br>IL - Clinton, Madison, Monroe, St. Clair<br>MO - Franklin, Jefferson, St. Charles, St. Louis, St. Louis City   | 14.7                      |
| Non-SMSA Counties -<br>IL - Alexander, Bond, Calhoun, Clay, Effingham, Fayette, Franklin, Greene,<br>Jackson, Jasper, Jefferson, Jersey, Johnson, Macoupin, Marion,<br>Montgomery, Perry, Pulaski, Randolph, Richland, Union, Washington,<br>Wayne, Williamson<br>MO - Bollinger, Butler, Cape Girardeau, Carter, Crawford, Dent, Gasconade,<br>Iron, Lincoln, Madison, Maries, Mississippi, Montgomery, Perry, Phelps,<br>Reynolds, Ripley, St. Francois, St. Genevieve, Scott, Stoddard, Warren,<br>Washington, Wayne | 11.4                      |

Revised 08-31-83

These goals are applicable to all the Contractor's construction work (whether or not it is Federal or federally assisted) performed in the covered area. If the Contractor performs construction work in a geographical area located outside of the covered area, it shall apply the goals established for such geographical area where the work is actually performed. With regard to this second area, the Contractor also is subject to the goals for both its federally involved and nonfederally involved construction.

The Contractor's compliance with Executive Order and the regulations in 41 CFR Part 60-4 shall be based on its implementation of the Equal Opportunity Clause, specific affirmative action obligations required by the provisions and specifications set forth in its federally assisted contracts, and its efforts to meet the goals established for the geographical area where the contract resulting from this solicitation is to be performed. The hours of minority and female employment and training must be substantially uniform throughout the length of the contract, and in each trade, and the Contractor shall make a good faith effort to employ minorities and women evenly on each of its projects. The transfer of minority or female employees or trainees from Contractor to Contractor or from project to project for the sole purpose of meeting the Contractor's goals shall be a violation of the contract, the Executive Order and the regulations in 41 CFR Part 60-4. Compliance with the goals will be measured against the total work hours performed.

3. The Illinois Division of Aeronautics will provide written notification to the Director of the Office of Federal Contract Compliance Programs within 10 working days of award of any construction contract and/or subcontract in excess of \$10,000 at any tier for construction work under the contract resulting from this solicitation. This notification will list the name, address and telephone number of the subcontractor; employer identification number; estimated dollar amount of the subcontract; estimated starting and completion dates of the subcontract; and the geographical area in which the contract is to be performed.

4. As used in this Notice, and in the contract resulting from this solicitation, the "covered area" is the entire State of Illinois for the goal set forth in APPENDIX A and the county or counties in which the work is located for the goals set forth in APPENDIX B.

STANDARD FEDERAL EQUAL EMPLOYMENT  
OPPORTUNITY CONSTRUCTION CONTRACT  
SPECIFICATIONS (EXECUTIVE ORDER 11246)

1. As used in these specifications:
  - a) "Covered area" means the geographical area described in the solicitation from which this contract resulted;
  - b) "Director" means Director, Office of Federal Contract Compliance Programs, United States Department of Labor, or any person to whom the Director delegates authority;
  - c) "Employer identification number" means the Federal Social Security number used on the Employer's Quarterly Federal Tax Return, U.S. Treasury Department Form 941;
  - d) "Minority" includes:
    - (i) Black (all persons having origins in any of the Black African racial groups not of Hispanic origin);
    - (ii) Hispanic (all persons of Mexican, Puerto Rican, Cuban, Central or South American or other Spanish Culture or origin, regardless of race);
    - (iii) Asian and Pacific Islander (all persons having origins in any of the original peoples of the Far East, Southeast Asia, the Indian Subcontinent, or the Pacific Islands); and
    - (iv) American Indian or Alaskan Native (all persons having origins in any of the original peoples of North America and maintaining identifiable tribal affiliations through membership and participation or community identification).
2. Whenever the Contractor, or any Subcontractor at any tier, subcontracts a portion of the work involving any construction trade, it shall physically include in each subcontract in excess of \$10,000. the provisions of these specifications and the Notice which contains the applicable goals for minority and female participation and which is set forth in the solicitations from which this contract resulted.

Revised 08-31-83

3. If the Contractor is participating (pursuant to 41 CFR 60-4.5) in a Hometown Plan approved by the U.S. Department of Labor in the covered area either individually or through an association, its affirmative action obligations on all work in the plan area (including goals and timetables) shall be in accordance with that Plan for those trades which have unions participating in the Plan. Contractors must be able to demonstrate their participation in and compliance with the provisions of any such Hometown Plan. Each Contractor or Subcontractor participating in an approved Plan is individually required to comply with its obligations under the EEO clause, and to make a good faith effort to achieve each goal under the Plan in each trade in which it has employees. The overall good faith performance by other Contractors or Subcontractors toward a goal in an approved Plan does not excuse any covered Contractor's or Subcontractor's failure to take good faith efforts to achieve the Plan goals and timetables.
4. The Contractor shall implement the specific affirmative action standards provided in paragraphs 7a through p of these specifications. The goals set forth in the solicitation from which this contract resulted are expressed as percentages of the total hours of employment and training of minority and female utilization the Contractor should reasonably be able to achieve in each construction trade in which it has employees in the covered area. Covered Construction Contractors performing construction work in geographical areas where they do not have a Federal or federally assisted construction contract shall apply the minority and female goals established for the geographical area where the work is being performed. Goals are published periodically in the Federal Register in notice form, and such notices may be obtained from any Office of Federal Contract Compliance Programs office or from Federal procurement contracting officers. The Contractor is expected to make substantially uniform progress toward its goals in each craft during the period specified.
5. Neither the provisions of any collective bargaining agreement, nor the failure by a union with whom the Contractor has a collective bargaining agreement, to refer either minorities or women shall excuse the Contractor's obligations under these specifications, Executive Order 11246, or the regulations promulgated pursuant thereto.
6. In order for the nonworking training hours of apprentices and trainees to be counted in meeting the goals, such apprentices and trainees must be employed by the Contractor during the training period, and the Contractor must have made a commitment to employ the apprentices and trainees at the completion of their training, subject to the availability of employment opportunities. Trainees must be trained pursuant to training programs approved by the U.S. Department of Labor.
7. The Contractor shall take specific affirmative actions to ensure equal employment opportunity. The evaluation of the Contractor's compliance with these specifications shall be based upon its effort to achieve maximum results from its actions. The Contractor shall document these efforts fully, and shall implement affirmative action steps at least as extensive as the following:
  - a) Ensure and maintain a working environment free of harassment, intimidation, and coercion at all sites, and in all facilities at which the Contractor's employees are assigned to work. The Contractor, where possible, will assign two or more women to each construction project. The Contractor shall specifically ensure that all foremen, superintendents, and other on-site supervisory personnel are aware of and carry out the Contractor's obligation to maintain such a working environment, with specific attention to minority or female individuals working as such sites or in such facilities.
  - b) Establish and maintain a current list of minority and female recruitment sources, provide written notification to minority and female recruitment sources and to community organizations when the Contractor or its unions have employment opportunities available, and maintain a record of the organizations' responses.
  - c) Maintain a current file of the names, addresses and telephone numbers of each minority and female off-the-street applicant and minority or female referral from a union, a recruitment source or community organization and of what action was taken with respect to each such individual. If such individual was sent to the union hiring hall for referral and was not referred back to the Contractor by the union or, if referred, not employed by the Contractor, this shall be documented in the file with the reason therefor, along with whatever additional actions the Contractors may have taken.

Revised 08-31-83

- d) Provide immediate written notification to the Director when the union or unions with which the Contractor has a collective bargaining agreement has not referred to the Contractor a minority person or woman sent by the Contractor, or when the Contractor has other information that the union referral process has impeded the Contractor's efforts to meet its obligations.
- e) Develop on-the-job training opportunities and/or participate in training programs for the area which expressly include minorities and women, including upgrading programs and apprenticeship and trainee programs relevant to the Contractor's employment needs, especially those programs funded or approved by the Department of Labor. The Contractor shall provide notice of these programs to the sources compiled under 7b above.
- f) Disseminate the Contractor's EEO policy by providing notice of the policy to unions and training programs and requesting their cooperation in assisting the Contractor in meeting its EEO obligations; by including it in any policy manual and collective bargaining agreements; by publicizing it in the company newspaper, annual report, etc.; by specific review of the policy with all management personnel and with all minority and female employees at least once a year; and by posting the company EEO policy on bulletin boards accessible to all employees at each location where construction work is performed.
- g) Review, at least annually, the company's EEO policy and affirmative action obligations under these specifications with all employees having any responsibility for hiring, assignment, layoff, termination or other employment decisions including specific review of these items with onsite supervisory personnel such as Superintendents, General Foreman, etc., prior to the initiation of construction work at any job site. A written record shall be made and maintained identifying the time and place of these meetings, persons attending, subject matter discussed, and disposition of the subject matter.
- h) Disseminate the Contractor's EEO policy externally by including it in any advertising in the news media, specifically including minority and female news media, and providing written notification to and discussing the Contractor's EEO policy with other Contractors and Subcontractors with whom the Contractor does or anticipates doing business.
- i) Direct its recruitment efforts, both oral and written, to minority, female and community organizations, to schools with minority and female students and to minority and female recruitment and training organizations serving the Contractor's recruitment area and employment needs. Not later than one month prior to the date for the acceptance of applications for apprenticeship or other training by any recruitment source, the Contractor shall send written notification to organizations such as the above, describing the openings, screening procedures, and tests to be used in the selection process.
- j) Encourage present minority and female employees to recruit other minority persons and women and, where reasonable, provide after school, summer and vacation employment to minority and female youth both on the site and in other areas of a Contractor's workforce.
- k) Validate all tests and other selection requirements where there is an obligation to do so under 41 CFR Part 60-3.
- l) Conduct, at least annually, an inventory and evaluation at least of all minority and female personnel for promotional opportunities and encourage these employees to seek or to prepare for, through appropriate training, etc., such opportunities.
- m) Ensure that seniority practices, job classifications, work assignments and other personnel practices, do not have a discriminatory effect by continually monitoring all personnel and employment related activities to ensure that the EEO policy and the Contractor's obligations under these specifications are being carried out.
- n) Ensure that all facilities and company activities are nonsegregated except that separate or single-user toilet and necessary changing facilities shall be provided to assure privacy between the sexes.
- o) Document and maintain a record of all solicitations of offers for subcontracts from minority and female construction Contractors and suppliers, including circulation of solicitations to minority and female Contractor associations and other business associations.

Revised 08-31-83

- p) Conduct a review, at least annually, of all supervisors' adherence to and performance under the Contractor's EEO policies and affirmative action obligations.
8. Contractors are encouraged to participate in voluntary associations which assist in fulfilling one or more of their affirmative action obligations (7a through p). The efforts of a Contractor association, joint Contractor-union, Contractor-community, or other similar group of which the Contractor is a member and participant, may be asserted as fulfilling any one or more of its obligations under 7a through p of these Specifications provided that the Contractor actively participates in the group, makes every effort to assure that the group has a positive impact on the employment of minorities and women in the industry, ensures that the concrete benefits of the program are reflected in the Contractor's minority and female workforce participation makes a good faith effort to meet its individual goals and timetables, and can provide access to documentation which demonstrates the effectiveness of actions taken on behalf of the Contractor. The obligation to comply, however, is the Contractor's and failure of such a group to fulfill an obligation shall not be a defense for the Contractor's noncompliance.
9. A single goal for minorities and a separate single goal for women have been established. The Contractor, however, is required to provide equal employment opportunity and to take affirmative action for all minority groups, both male and female, and all women, both minority and non-minority. Consequently, the Contractor may be in violation of the Executive Order if a particular group is employed in a substantially disparate manner (for example, even though the Contractor has achieved its goals for women generally, the Contractor may be in violation of the Executive Order if a specified minority group of women is underutilized).
10. The Contractor shall not use the goals and timetables or affirmative action standards to discriminate against any person because of race, color, religion, sex, or national origin.
11. The Contractor shall not enter into any Subcontract with any person or firm debarred from Government contracts pursuant to Executive Order 11246.
12. The Contractor shall carry out such sanctions and penalties for violation of these specifications and of the Equal Opportunity Clause, including suspension, termination and cancellation of existing subcontracts as may be imposed or ordered pursuant to Executive Order 11246, as amended, and its implementing regulations, by the Office of Federal Contract Compliance Programs. Any Contractor who fails to carry out such sanctions and penalties shall be in violation of these specifications and Executive Order 11246, as amended.
13. The Contractor, in fulfilling its obligations under these specifications, shall implement specific affirmative action steps, at least as extensive as those standards prescribed in paragraph 7 of these specifications, so as to achieve maximum results from its efforts to ensure equal opportunity. If the Contractor fails to comply with the requirements of the Executive Order, the implementing regulations, or these specifications, the Director shall proceed in accordance with 41 CFR 60-4.8.
14. The Contractor shall designate a responsible official to monitor all employment related activity to ensure that the company EEO policy is being carried out, to submit reports relating to the provisions hereof as may be required by the Government and to keep records. Records shall at least include for each employee the name, address, telephone numbers, construction trade, union affiliation if any, employee identification number when assigned, social security number, race, sex, status (e.g., mechanic, apprentice, trainee, helper, or laborer), dates of changes in status, hours worked per week in the indicated trade, rate of pay, and locations at which the work was performed. Records shall be maintained in an easily understandable and retrievable form; however, to the degree that existing records satisfy his requirement, Contractors shall not be required to maintain separate records.
15. Nothing herein provided shall be construed as a limitation upon the application of other laws which establish different standards of compliance or upon the application of requirements for the hiring of local or other area residents (e.g., those under the Public Works Employment Act of 1977 and the Community Development Block Grant Program).

Revised 08-31-83

ANNUAL EEO-1 REPORT TO JOINT REPORTING COMMITTEE AS REQUIRED AT

41 CFR 60-1.7(a)

Any Contractor having a Federal contract of \$50,000 or more and 50 or more employees is required to file annual compliance reports on Standard Form 100 (EEO-1) with the Joint Reporting Committee in accordance with the instructions provided with the form. The Contractor will provide a copy of such a report to the contracting agency within 30 days after the award of a contract.

The Contractor shall require its subcontractors to file an SF 100 within 30 days after award of the subcontract if (1) it is not exempt from the provisions of these regulations in accordance with 60-1.5, (2) has 50 or more employees, (3) first tier subcontractor, and (4) has a subcontract amounting to \$50,000 or more.

Subcontractors below the first tier which perform construction work at the site of construction shall be required to file such a report if (1) it is not exempt from the provisions of these regulations in accordance with 60-1.5, (2) has 50 or more employees and has a subcontract amounting to \$50,000 or more.

The SF 100 is available at the following address:

Joint Reports Committee  
EEOC - Survey Division  
1801 "L" Street N.W.  
Washington, D.C. 20750

Phone (202) 663-4968

## DISADVANTAGED BUSINESS POLICY

### I. NOTICE

This proposal contains the special provision entitled "Required Disadvantaged Business Participation." Inclusion of this Special Provision in this contract satisfies the obligations of the Department of Transportation under federal law as implemented by 49 CFR 23 and under the Illinois "Minority and Female Business Enterprise Act."

### II. POLICY

It is public policy that the businesses defined in 49 CFR Part 23 shall have the maximum opportunity to participate in the performance of contracts financed in whole or in part with State or Federal funds. Consequently, the requirements of 49 CFR Part 23 apply to this contract.

### III. OBLIGATION

The Contractor agrees to ensure that the businesses defined in 49 CFR Part 23 have the maximum opportunity to participate in the performance of this contract. In this regard, the Contractor shall take all necessary and reasonable steps, in accordance with 49 CFR Part 23, to ensure that the said businesses have the maximum opportunity to compete for and perform portions of this contract. The Contractor shall not discriminate on the basis of race, color, national origin, or sex in the selection and retention of subcontractors, including procurement of materials and leases of equipment.

The Contractor shall include the above Policy and Obligation statements of this Special Provision in every subcontract, including procurement of materials and leases of equipment.

### IV. DBE/WBE CONTRACTOR FINANCE PROGRAM

On contracts where a loan has been obtained through the DBE/WBE Contractor Finance Program, the Contractor shall cooperate with the Department by making all payments due to the DBE/WBE Contractor by means of a two-payee check payable to the Lender (Bank) and the Borrower (DBE/WBE Contractor).

### V. BREACH OF CONTRACT

Failure to carry out the requirements set forth above and in the Special Provision shall constitute a breach of contract and may result in termination of the contract or liquidated damages as provided in the special provision.

(Rev. 9/21/92)

State of Illinois  
Department of Transportation

SPECIAL PROVISION  
FOR  
DISADVANTAGED BUSINESS ENTERPRISE PARTICIPATION

- I. **FEDERAL OBLIGATION:** The Department of Transportation, as a recipient of federal financial assistance, is required to take all necessary and reasonable steps to ensure nondiscrimination in the award and administration of contracts. Consequently, the federal regulatory provisions of 49 CFR part 26 apply to this contract concerning the utilization of disadvantaged business enterprises. This Special Provision will also be used by the Department to satisfy the requirements of the Business Enterprise for Minorities, Females, and Persons with Disabilities Act, 30 ILCS 575. For the purposes of this Special Provision, a disadvantaged business enterprise (DBE) means a business certified by the Department in accordance with the requirements of 49 CFR part 26 and listed in the DBE Directory or most recent addendum.
- II. **CONTRACTOR ASSURANCE:** The Contractor makes the following assurance and agrees to include the assurance in each subcontract that the Contractor signs with a subcontractor:
- The contractor, subrecipient or subcontractor shall not discriminate on the basis of race, color, national origin, or sex in the performance of this contract. The contractor shall carry out applicable requirements of 49 CFR part 26 in the award and administration of federally-assisted contracts. Failure by the contractor to carry out these requirements is a material breach of this contract, which may result in the termination of this contract or such other remedy as the recipient deems appropriate.
- III. **OVERALL GOAL SET FOR THE DEPARTMENT:** As a requirement of compliance with 49 CFR part 26, the Department has set an overall goal for DBE participation in its federally assisted contracts. That goal is 22.7% of all federal-aid funds the Department will expend in its federally assisted contracts for the subject reporting fiscal year. The Department is required to make a good faith effort to achieve this goal. The dollar amount paid to all approved DBE firms performing work called for in this contract is eligible to be credited toward fulfillment of the Department's overall goal.
- IV. **CONTRACT GOAL TO BE ACHIEVED BY THE CONTRACTOR:** This contract includes a specific DBE utilization goal established by the Department. The goal has been included because the Department has determined that the work of this contract has subcontracting opportunities that may be suitable for performance by DBE companies. This determination is based on an assessment of the type of work, the location of the work, and the availability of DBE companies to do a part of the work. The assessment indicates that, in the absence of unlawful discrimination, and in an arena of fair and open competition, DBE companies can be expected to perform 2.0% of the work. This percentage is set as the DBE participation goal for this contract. Consequently, in addition to the other award criteria established for this contract, the Department will award this contract to a bidder who makes a good faith effort to meet this goal of DBE participation in the performance of the work. A bidder makes a good faith effort for award consideration if either of the following is done in accordance with the procedures set forth in this Special Provision:
- A. The bidder documents that firmly committed DBE participation has been obtained to meet the goal; or
- B. The bidder documents that a good faith effort has been made to meet the goal, even though the effort did not succeed in obtaining enough DBE participation to meet the goal.



- V. **DBE LOCATOR REFERENCES:** Bidders may consult the DBE Directory as a reference source for DBE companies certified by the Department. In addition, the Department maintains a letting and item specific DBE locator information system whereby DBE companies can register their interest in providing quotes on particular bid items advertised for letting. Information concerning DBE companies willing to quote work for particular contracts may be obtained by contacting the Department's Bureau of Small Business Enterprises at telephone number (217)785-4611, or by visiting the Department's web site at [www.dot.state.il.us](http://www.dot.state.il.us).
- VI. **BIDDING PROCEDURES:** Compliance with the bidding procedures of this Special Provision is required prior to the award of the contract and the failure of the as-read low bidder to comply will render the bid nonresponsive.
- A. In order to assure the timely award of the contract, the as-read low bidder must submit a Disadvantaged Business Utilization Plan on Department form SBE 2026 within seven (7) working days after the date of letting. To meet the seven (7) day requirement, the bidder may send the Plan by certified mail or delivery service within the seven (7) working day period. If a question arises concerning the mailing date of a Plan, the mailing date will be established by the U.S. Postal Service postmark on the original certified mail receipt from the U.S. Postal Service or the receipt issued by a delivery service. It is the responsibility of the as-read low bidder to ensure that the postmark or receipt date is affixed within the seven (7) working days if the bidder intends to rely upon mailing or delivery to satisfy the submission day requirement. The Plan is to be submitted to the Department of Transportation, Bureau of Small Business Enterprises, Contract Compliance Section, 2300 South Dirksen Parkway, Room 319, Springfield, Illinois 62764 (Telefax: (217) 785-1524). It is the responsibility of the bidder to obtain confirmation of telefax delivery. The Department will not accept a Utilization Plan if it does not meet the seven (7) day submittal requirement, and the bid will be declared nonresponsive. In the event the bid is declared nonresponsive due to a failure to submit a Plan or failure to comply with the bidding procedures set forth herein, the Department may elect to cause the forfeiture of the penal sum of the bidder's proposal guaranty, and may deny authorization to bid the project if re-advertised for bids. The Department reserves the right to invite any other bidder to submit a Utilization Plan at any time for award consideration or to extend the time for award.
- B. The Utilization Plan shall indicate that the bidder either has obtained sufficient DBE participation commitments to meet the contract goal or has not obtained enough DBE participation commitments in spite of a good faith effort to meet the goal. The Utilization Plan shall further provide the name, telephone number and telefax number of a responsible official of the bidder designated for purposes of notification of plan approval or disapproval under the procedures of this Special Provision.
- C. The Utilization Plan shall include a DBE Participation Commitment Statement, Department form SBE 2025, for each DBE proposed for the performance of work to achieve the contract goal. The signatures on these forms must be original signatures. All elements of information indicated on the said form shall be provided, including but not limited to the following:
1. The name and address of each DBE to be used;
  2. A description, including pay item numbers, of the commercially useful work to be done by each DBE;
  3. The price to be paid to each DBE for the identified work specifically stating the quantity, unit price and total subcontract price for the work to be completed by the DBE. If partial pay items are to be performed by the DBE, indicate the portion of each item, a unit price where appropriate and the subcontract price amount;
  4. A commitment statement signed by the bidder and each DBE evidencing availability and intent to perform commercially useful work on the project; and
  5. If the bidder is a joint venture comprised of DBE firms and non-DBE firms, the plan must also include a clear identification of the portion of the work to be performed by the DBE partner(s).

D. The contract will not be awarded until the Utilization Plan submitted by the bidder is approved. The Utilization Plan will be approved by the Department if the Plan commits sufficient commercially useful DBE work performance to meet the contract goal. The Utilization Plan will not be approved by the Department if the Plan does not commit sufficient DBE performance to meet the contract goal unless the bidder documents that it made a good faith effort to meet the goal. The good faith procedures of Section VIII of this special provision apply. If the Utilization Plan is not approved because it is deficient in a technical matter, unless waived by the Department, the bidder will be notified and will be allowed no less than a five (5) working day period in order to cure the deficiency.

VII. CALCULATING DBE PARTICIPATION: The Utilization Plan values represent work anticipated to be performed and paid for upon satisfactory completion. The Department is only able to count toward the achievement of the overall goal and the contract goal the value of payments made for the work actually performed by DBE companies. In addition, a DBE must perform a commercially useful function on the contract to be counted. A commercially useful function is generally performed when the DBE is responsible for the work and is carrying out its responsibilities by actually performing, managing, and supervising the work involved. The Department and Contractor are governed by the provisions of 49 CFR part 26.55(c) on questions of commercially useful functions as it affects the work. Specific counting guidelines are provided in 49 CFR part 26.55, the provisions of which govern over the summary contained herein.

A. DBE as the Contractor: 100% goal credit for that portion of the work performed by the DBE's own forces, including the cost of materials and supplies. Work that a DBE subcontracts to a non-DBE firm does not count toward the DBE goals.

B. DBE as a joint venture Contractor: 100% goal credit for that portion of the total dollar value of the contract equal to the distinct, clearly defined portion of the work performed by the DBE's own forces.

C. DBE as a subcontractor: 100% goal credit for the work of the subcontract performed by the DBE's own forces, including the cost of materials and supplies. Work that a DBE subcontractor in turn subcontracts to a non-DBE firm does not count toward the DBE goal.

D. DBE as a trucker: 100% goal credit for trucking participation provided the DBE is responsible for the management and supervision of the entire trucking operation for which it is responsible. At least one truck owned, operated, licensed and insured by the DBE must be used on the contract. Credit will be given for the full value of all such DBE trucks operated using DBE employed drivers. Goal credit will be limited to the value of the reasonable fee or commission received by the DBE if trucks are leased from a non-DBE company.

E. DBE as a material supplier:

1. 60% goal credit for the cost of the materials or supplies purchased from a DBE regular dealer.
2. 100% goal credit for the cost of materials or supplies obtained from a DBE manufacturer.
3. 100% credit for the value of reasonable fees and commissions for the procurement of materials and supplies if not a regular dealer or manufacturer.

VIII. GOOD FAITH EFFORT PROCEDURES: If the bidder cannot obtain sufficient DBE commitments to meet the contract goal, the bidder must document in the Utilization Plan the good faith efforts made in the attempt to meet the goal. This means that the bidder must show that all necessary and reasonable steps were taken to achieve the contract goal. Necessary and reasonable steps are those which could reasonably be expected to obtain sufficient DBE participation. The Department will consider the quality, quantity and intensity of the kinds of efforts that the bidder has made. Mere *pro forma* efforts are not good faith efforts; rather, the bidder is expected to have taken those efforts that would be reasonably expected of a bidder actively and aggressively trying to obtain DBE participation sufficient to meet the contract goal.

- A. The following is a list of types of action that the Department will consider as part of the evaluation of the bidder's good faith efforts to obtain participation. These listed factors are not intended to be a mandatory checklist and are not intended to be exhaustive. Other factors or efforts brought to the attention of the Department may be relevant in appropriate cases, and will be considered by the Department.
1. Soliciting through all reasonable and available means (e.g. attendance at pre-bid meetings, advertising and/or written notices) the interest of all certified DBE companies that have the capability to perform the work of the contract. The bidder must solicit this interest within sufficient time to allow the DBE companies to respond to the solicitation. The bidder must determine with certainty if the DBE companies are interested by taking appropriate steps to follow up initial solicitations.
  2. Selecting portions of the work to be performed by DBE companies in order to increase the likelihood that the DBE goals will be achieved. This includes, where appropriate, breaking out contract work items into economically feasible units to facilitate DBE participation, even when the prime contractor might otherwise prefer to perform these work items with its own forces.
  3. Providing interested DBE companies with adequate information about the plans, specifications, and requirements of the contract in a timely manner to assist them in responding to a solicitation.
  4. (a) Negotiating in good faith with interested DBE companies. It is the bidder's responsibility to make a portion of the work available to DBE subcontractors and suppliers and to select those portions of the work or material needs consistent with the available DBE subcontractors and suppliers, so as to facilitate DBE participation. Evidence of such negotiation includes the names, addresses, and telephone numbers of DBE companies that were considered; a description of the information provided regarding the plans and specifications for the work selected for subcontracting; and evidence as to why additional agreements could not be reached for DBE companies to perform the work.  
  
(b) A bidder using good business judgment would consider a number of factors in negotiating with subcontractors, including DBE subcontractors, and would take a firm's price and capabilities as well as contract goals into consideration. However, the fact that there may be some additional costs involved in finding and using DBE companies is not in itself sufficient reason for a bidder's failure to meet the contract DBE goal, as long as such costs are reasonable. Also, the ability or desire of a prime contractor to perform the work of a contract with its own organization does not relieve the bidder of the responsibility to make good faith efforts. Prime contractors are not, however, required to accept higher quotes from DBE companies if the price difference is excessive or unreasonable.
  5. Not rejecting DBE companies as being unqualified without sound reasons based on a thorough investigation of their capabilities. The contractor's standing within its industry, membership in specific groups, organizations, or associations and political or social affiliations (for example union vs. non-union employee status) are not legitimate causes for the rejection or non-solicitation of bids in the contractor's efforts to meet the project goal.
  6. Making efforts to assist interested DBE companies in obtaining bonding, lines of credit, or insurance as required by the recipient or contractor.
  7. Making efforts to assist interested DBE companies in obtaining necessary equipment, supplies, materials, or related assistance or services.
  8. Effectively using the services of available minority/women community organizations; minority/women contractors' groups; local, state, and Federal minority/women business assistance offices; and other organizations as allowed on a case-by-case basis to provide assistance in the recruitment and placement of DBE companies.
- B. If the Department determines that the Contractor has made a good faith effort to secure the work commitment of DBE companies to meet the contract goal, the Department will award the contract provided that it is otherwise eligible for award. If the Department determines that a good faith effort has not been made, the Department will notify the bidder of that preliminary determination by contacting the responsible company official designated in the Utilization Plan. The preliminary determination shall include a statement of reasons why good faith efforts have not been found, and may include additional good faith efforts that the bidder could take. The notification will

designate a five (5) working day period during which the bidder shall take additional efforts. The bidder is not limited by a statement of additional efforts, but may take other action beyond any stated additional efforts in order to obtain additional DBE commitments. The bidder shall submit an amended Utilization Plan if additional DBE commitments to meet the contract goal are secured. If additional DBE commitments sufficient to meet the contract goal are not secured, the bidder shall report the final good faith efforts made in the time allotted. All additional efforts taken by the bidder will be considered as part of the bidder's good faith efforts. If the bidder is not able to meet the goal after taking additional efforts, the Department will make a pre-final determination of the good faith efforts of the bidder and will notify the designated responsible company official of the reasons for an adverse determination.

- C. The bidder may request administrative reconsideration of a pre-final determination adverse to the bidder within the five (5) working days after the notification date of the determination by delivering the request to the Department of Transportation, Division of Aeronautics, 1 Langhorne Bond Drive, Capital Airport, Springfield, IL 62707-8415 (Telefax: 217-785-4533). Deposit of the request in the United States mail on or before the fifth business day shall not be deemed delivery. The pre-final determination shall become final if a request is not made and delivered. A request may provide additional written documentation and/or argument concerning the issue of whether an adequate good faith effort was made to meet the contract goal. In addition, the request shall be considered a consent by the bidder to extend the time for award. The request will be forwarded to the Department's Reconsideration Officer. The Reconsideration Officer will extend an opportunity to the bidder to meet in person in order to consider all issues of whether the bidder made a good faith effort to meet the goal. After the review by the Reconsideration Officer, the bidder will be sent a written decision within ten (10) working days after receipt of the request for reconsideration, explaining the basis for finding that the bidder did or did not meet the goal or make adequate good faith efforts to do so. A final decision by the Reconsideration Officer that a good faith effort was made shall approve the Utilization Plan submitted by the bidder and shall clear the contract for award. A final decision that a good faith effort was not made shall render the bid nonresponsive.

IX. CONTRACT COMPLIANCE: Compliance with this Special Provision is an essential part of the contract. The Department is prohibited by federal regulations from crediting the participation of a DBE included in the Utilization Plan toward either the contract goal or the Department's overall goal until the amount to be applied toward the goals has been paid to the DBE. The following administrative procedures and remedies govern the compliance by the Contractor with the contractual obligations established by the Utilization Plan. After approval of the Plan and award of the contract, the Utilization Plan and individual DBE Participation Statements become part of the contract. If the contractor did not succeed in obtaining enough DBE participation to achieve the advertised contract goal, and the Utilization Plan was approved and contract awarded based upon a determination of good faith, the total dollar value of DBE work calculated in the approved Utilization Plan as a percentage of the awarded contract value shall become the amended contract goal.

- A. No amendment to the Utilization Plan may be made without prior written approval from the Division of Aeronautics. All requests for amendment to the Utilization Plan shall be submitted to the Department of Transportation, Division of Aeronautics, 1 Langhorne Bond Drive, Capital Airport, Springfield, IL 62707-8415. Telephone number (217) 785-8514. Telefax number (217) 785-4533.
- B. All work indicated for performance by an approved DBE shall be performed, managed and supervised by the DBE executing the Participation Statement. The Contractor shall not terminate for convenience a DBE listed in the Utilization Plan and then perform the work of the terminated DBE with its own forces, those of an affiliate or those of another subcontractor, whether DBE or not, without first obtaining the written consent of the Bureau of Small Business Enterprises to amend the Utilization Plan. If a DBE listed in the Utilization Plan is terminated for reasons other than convenience, or fails to complete its work on the contract for any reason, the Contractor shall make good faith efforts to find another DBE to substitute for the terminated DBE. The good faith efforts shall be directed at finding another DBE to perform at least the same amount of work under the contract as the DBE that was terminated, but only to the extent needed to meet the contract goal or the amended contract goal. The Contractor shall notify the Division of Aeronautics of any termination for reasons other than convenience, and shall obtain approval for inclusion of the substitute DBE in the Utilization Plan. If good faith efforts following a termination of a DBE for cause are not successful, the Contractor shall contact the Division and provide a full accounting of the efforts undertaken to obtain substitute DBE participation. The Division will evaluate the good faith efforts in light of all circumstances surrounding the performance status of the contract, and determine whether the contract goal should be amended.

- C. The Contractor shall maintain a record of payments for work performed to the DBE participants. The records shall be made available to the Department for inspection upon request. After the performance of the final item of work or delivery of material by a DBE and final payment therefor to the DBE by the Contractor, but not later than thirty (30) calendar days after payment has been made by the Department to the Contractor for such work or material without regard to any retainage withheld by the Department, the Contractor shall submit a DBE Payment Report on Department form SBE 2115 to the Division's Chief Engineer. If full and final payment has not been made to the DBE, the Report shall indicate whether a disagreement as to the payment required exists between the Contractor and the DBE or if the Contractor believes that the work has not been satisfactorily completed. If the Contractor does not have the full amount of work indicated in the Utilization Plan performed by the DBE companies indicated in the Plan, the Department will deduct from contract payments to the Contractor the amount of the goal not achieved as liquidated and ascertained damages.
  
- D. The Department reserves the right to withhold payment to the Contractor to enforce the provisions of this Special Provision. Final payment shall not be made on the contract until such time as the Contractor submits sufficient documentation demonstrating achievement of the goal in accordance with this Special Provision or after liquidated damages have been determined and collected.

Certification of Nonsegregated Facilities - as Required by 41 CFR 60-1.8

(Applicable to (1) contracts, (2) subcontracts, and (3) agreements with applicants who are themselves performing federally assisted construction contracts, exceeding \$10,000.00 which are not exempt from the provisions of the Equal Opportunity clause).

By the submission of this bid, the bidder, offeror, applicant, or subcontractor certifies that he does not maintain or provide for his employees any segregated facilities at any of his establishments and that he does not permit his employees to perform their services at any location, under his control, where segregated facilities are maintained. He certifies further that he will not maintain or provide for his employees any segregated facilities at any of his establishments and that he will not permit his employees to perform their services at any location, under his control, where segregated facilities are maintained. The bidder, offeror, applicant, or subcontractor agrees that a breach of his certification is a violation of the Equal opportunity clause in this contract. As used in this certification, the term "segregated facilities" means any waiting rooms, work areas, rest rooms and wash rooms, restaurants and other eating areas, time clocks, locker rooms and other storage or dressing areas, parking lots, drinking fountains, recreation or entertainment areas, transportation, and housing facilities provided for employees which are segregated by explicit directive or are in fact segregated on the basis of race, color, religion, or national origin, because of habit, local custom, or otherwise. He further agrees that (except where he has obtained identical certifications from proposed subcontractors for specific time periods) he will obtain identical certifications from proposed subcontractors prior to the award of subcontracts exceeding \$10,000.00 which are not exempt from the provisions of the Equal Opportunity clause; that he will retain such certifications in his files and that he will forward the following notice to such proposed subcontractors (except where the proposed subcontractors have submitted identical certifications for specific time periods):

**NOTICE TO PROSPECTIVE SUBCONTRACTORS OF REQUIREMENT FOR  
CERTIFICATIONS OF NONSEGREGATED FACILITIES**

A certification of Nonsegregated Facilities must be submitted prior to the award of a subcontract exceeding \$10,000.00 which is not exempt from the provisions of the Equal Opportunity clause. The certification may be submitted either for each subcontract or for all subcontracts during a period (i.e., quarterly, semiannually or annually).

NOTE: The penalty for making false statements in offers is prescribed in 18 U.S.C 1001.

CERTIFICATION REGARDING DEBARMENT, SUSPENSION, AND OTHER RESPONSIBILITY MATTERS  
Instructions for Certification

1. By signing and submitting this proposal, the prospective primary participant is providing the certification set out below.
2. The inability of a person to provide the certification required below will not necessarily result in denial of participation in this covered transaction. The prospective participant shall submit an explanation of why it cannot provide the certification set out below. The certification or explanation will be considered in connection with the department or agency's determination whether to enter into this transaction. However, failure of the prospective primary participant to furnish a certification or an explanation shall disqualify such person from participation in this transaction.
3. The certification in this clause is a material representation of fact upon which reliance was placed when the department or agency determined to enter into this transaction. If it is later determined that the prospective primary participant knowingly rendered an erroneous certification in addition to other remedies available to the Federal Government, the department or agency may terminate this transaction for cause of default.
4. The prospective primary participant shall provide immediate written notice to the department or agency to whom this proposal is submitted if at any time the prospective primary participant learns that its certification was erroneous when submitted or has become erroneous by reason of changed circumstances.
5. The terms "covered transaction" "debarred" "suspended" "ineligible" "lower tier covered transaction" "participant" "person" "primary covered transaction" "principal" "proposal" and "voluntarily excluded" as used in this clause have the meaning set out in the Definitions and Coverage sections of the rules implementing Executive Order 12540. You may contact the department or agency to which this proposal is being submitted for assistance in obtaining a copy of those regulations.
6. The prospective primary participant agrees by submitting this proposal that should the proposed covered transaction be entered into, it shall not knowingly enter into any lower tier covered transaction with a person who is debarred, suspended, declared ineligible, or voluntarily excluded from participation in this covered transaction unless authorized by the department or agency entering into this transaction.
7. The prospective primary participant further agrees by submitting this proposal that it will include the clause titled "Certification Regarding Debarment, Suspension, Ineligibility and Voluntary Exclusion - Lower Tier Transaction", provided by the department or agency entering into this covered transaction without modification in all lower covered transactions and in all solicitations for lower covered transactions.
8. A participant in a covered transaction may rely upon a certification of a prospective participant in a lower tier covered transaction that it is not debarred, suspended, ineligible, or voluntarily excluded from the covered transaction unless it knows that the certification is erroneous. A participant may decide the method and frequency by which it determines the eligibility of its principals. Each participant may, but is not required to check the Nonprocurement List (Tel. #).
9. Nothing contained in the foregoing shall be construed to require establishment of a system of records in order to render in good faith the certification required by this clause. The knowledge and information of a participant is not required to exceed that which is normally possessed by a prudent person in the ordinary course of business dealings.
10. Except for transactions authorized under paragraph 8 of these instructions, if a participant in a covered transaction knowingly enters into a lower tier covered transaction with a person who is suspended, debarred, ineligible, or voluntarily excluded from participation in this transaction, in addition to other remedies available to the Federal Government, the department or agency may terminate this transaction for cause or default.

Certification Regarding Debarment, Suspension, and  
Other Responsibility Matters - Primary Covered Transactions

1. The prospective primary participant certifies to the best of its knowledge and belief that it and its principals:
  - a. Are not presently debarred, suspended, proposed for debarment, declared ineligible, or voluntarily excluded from covered transactions by an Federal department or agency;
  - b. Have not within a three-year period preceding this proposal been convicted of or had a civil judgment rendered against them for commission of fraud or a criminal offense in connection with obtaining, attempting to obtain or performing a public (Federal, State or Local) transaction or contract under a public transaction: violation of Federal or State antitrust statutes or commission of embezzlement, theft, forgery, bribery, falsification or destruction or destruction of records, making false statements, or receiving stolen property;
  - c. Are not presently indicted for or otherwise criminally or civilly charged by a governmental entity (Federal, State or local) with commission of any of the offenses enumerated in paragraph (1)(b) of this certification; and
  - d. Have not within a three-period preceding this application/proposal had one or more public transactions (Federal, State or local) terminated for cause or default.
2. Where the prospective primary participant is unable to certify to any of the statements in this certification, such prospective participant shall attach an explanation to this proposal.



CERTIFICATION REGARDING LOBBYING (Applicable to contracts in excess of \$100,000):

Certification for Contracts, Grants, Loans and Cooperative Agreements.

The undersigned bidder certifies, to the best of his or her knowledge and belief, that:

- (1) No Federal appropriated funds have paid or will be paid, by or behalf of the undersigned, to any person for influencing or attempting to influence an officer or employee of any agency, a Member of Congress, an Officer or employee of Congress, or an employee of a Member of Congress in connection with the awarding of any Federal contract, the making of any Federal grant, the making of any Federal loan, the entering into of any cooperative agreement, and the extension, continuation, renewal, amendment, or modification of any Federal contract, grant, loan, or cooperative agreement.
- (2) If any funds other than Federal appropriated funds have been paid or will be paid to any person for influencing or attempting to influence an officer or employee of any agency, a Member of Congress, an officer or employee of Congress, or an employee of a Member of Congress in connection with this Federal contract, grant, loan, or cooperative agreement, the undersigned shall complete and submit Standard Form-LLL, "Disclosure Form to Report Lobbying", in accordance with its instructions.
- (3) The undersigned shall require that the language of this certification be included in the award documents for all subawards at all tiers (including subcontracts, subgrants, and contracts under grants, loans, and cooperative agreements) and that all subrecipients shall certify and disclose accordingly.

This certification is a material representation of fact upon which reliance was placed when this transaction was made or entered into. Submission of this certification is a prerequisite for making or entering into this transaction imposed by Section 1352, title 31, U.S. Code. Any person who fails to file the required certification shall be subject to a civil penalty of not less than \$10,000 and not more than \$100,000 for each such failure.

## WORKERS' COMPENSATION INSURANCE

Prior to the execution of his construction contract by the Illinois Department of Transportation, Division of Aeronautics, hereinafter referred to as "Division", the Contractor shall furnish to the Division certificates of insurance covering Workers' Compensation, or satisfactory evidence that this liability is otherwise taken care of in accordance with Section 4.(a) of the "Workers' Compensation Act of the State of Illinois" as amended.

Such insurance, or other means of protection as herein provided, shall be kept in force until all work to be performed under the terms of the contract has been completed and accepted in accordance with the specifications, and it is hereby understood and agreed that the maintenance of such insurance or other protection, until acceptance of the work by the Division is a part of the contract. Failure to maintain such insurance, cancellation by the Industrial Commission of its approval of such other means of protection as might have been elected, or any other act which results in lack of protection under the said "Workers' Compensation Act" may be considered as a breach of the contract.

### SPECIAL PROVISION FOR DOMESTIC SOURCE FOR STEEL

Control of Materials: All steel products, as defined by the Illinois Steel Products Procurement Act, incorporated into this project shall be manufactured or produced in the United States and, in addition, shall be domestically fabricated. The Contractor shall obtain from the steel producer and/or fabricator, in addition to the mill analysis, a certification that all steel products meet these domestic source requirements.

CLAUSE TO BE INCLUDED IN ALL SOLICITATIONS,  
CONTRACTS, AND SUBCONTRACTS RESULTING FROM PROJECTS FUNDED UNDER THE AIP

The Contractor or subcontractor, by submission of an offer and/or execution of a contract, certifies that it:

- a. is not owned or controlled by one or more citizens or nationals of a foreign country included in the list of countries that discriminate against U.S. firms published by the Office of the United States Trade Representative (USTR);
- b. has not knowingly entered into any contract or subcontract for this project with a Contractor that is a citizen or national of a foreign country on said list, or is owned or controlled directly or indirectly by one or more citizens or nationals of a foreign country on said list.
- c. has not procured any product nor subcontracted for the supply of any product for use on the project that is produced in a foreign country on said list.

Unless the restrictions of this clause are waived by the Secretary of Transportation in accordance with 49 CFR 30.17, no contract shall be awarded to a Contractor or subcontractor who is unable to certify to the above. If the Contractor knowingly procures or subcontracts for the supply of any product or service of a foreign country on the said list for use on the project, the Federal Aviation Administration may direct, through the sponsor, cancellation of the contract at no cost to the Government.

Further, the Contractor agrees that, if awarded a contract resulting from this solicitation, it will incorporate this provision for certification without modification in each contract and in all lower tier subcontracts. The Contractor may rely upon the certification of a prospective subcontractor unless it has knowledge that the certification is erroneous.

The Contractor shall provide immediate written notice to the sponsor if the Contractor learns that its certification or that of a subcontractor was erroneous when submitted or has become erroneous by reason of changed circumstances. The subcontractor agrees to provide immediate written notice to the Contractor, if at any time it learns that its certification was erroneous by reason of changed circumstances.

This certification is a material representation of fact upon which reliance was placed when making the award. If it is later determined that the Contractor or subcontractor knowingly rendered an erroneous certification, the Federal Aviation Administration may direct, through this sponsor, cancellation of the contract or subcontract for default at no cost to the Government.

Nothing contained in the foregoing shall be construed to require establishment of a system of records in order to render, in good faith, the certification required by this provision. The knowledge and information of a Contractor is not required to exceed that which is normally possessed by a prudent person in the ordinary course of business dealings.

This certification concerns a matter within the jurisdiction of an agency of the United States of America and the making of false, fictitious, or fraudulent certification may render the maker subject to prosecution under Title 18, United States Code, Section 1001.

**MINIMUM WAGES FOR FEDERAL AND FEDERALLY  
ASSISTED CONSTRUCTION CONTRACTS**

This project is funded, in part, with Federal-aid funds and, as such, is subject to the provisions of the Davis-Bacon Act of March 3, 1931, as amended (46 Sta. 1494, as amended, 40 U.S.C. 276a) and of other Federal statutes referred to in a 29 CFR Part 1, Appendix A, as well as such additional statutes as may from time to time be enacted containing provisions for the payment of wages determined to be prevailing by the Secretary of Labor in accordance with the Davis-Bacon Act and pursuant to the provisions of 29 CFR Part 1. The prevailing rates and fringe benefits shown in the General Wage Determination Decisions issued by the U.S. Department of Labor shall, in accordance with the provisions of the foregoing statutes, constitute the minimum wages payable on Federal and federally assisted construction projects to laborers and mechanics of the specified classes engaged on contract work of the character and in the localities described therein.

General Wage Determination Decisions, modifications and supersedes decisions thereto are to be used in accordance with the provisions of 29 CFR Parts 1 and 5. Accordingly, the applicable decision, together with any modifications issued, must be made a part of every contract for performance of the described work within the geographic area indicated as required by an applicable DBRA Federal prevailing wage law and 29 CFR Part 5. The wage rates and fringe benefits contained in the General Wage Determination Decision shall be the minimum paid by contractors and subcontractors to laborers and mechanics.

**NOTICE**

The most current **General Wage Determination Decisions** (wage rates) are available on the IDOT web site. They are located on the Letting and Bidding page at <http://www.dot.state.il.us/desenv/delett.html>.

In addition, ten (10) days prior to the letting, the applicable Federal wage rates will be e-mailed to subscribers. It is recommended that all contractors subscribe to the Federal Wage Rates List or the Contractor's Packet through IDOT's subscription service.

PLEASE NOTE: if you have already subscribed to the Contractor's Packet you will automatically receive the Federal Wage Rates.

The instructions for subscribing are at <http://www.dot.state.il.us/desenv/subsc.html>.

If you have any questions concerning the wage rates, please contact IDOT's Chief Contract Official at 217-782-7806.

**SECTION III**

Special Provisions

For

**REHABILITATE TERMINAL APRON AND TAXIWAY H – PHASE 1**

**ILLINOIS PROJECT: IKK-3864  
A.I.P. PROJECT: 3-17-0057-B16**

At

**GREATER KANKAKEE AIRPORT  
KANKAKEE, ILLINOIS**

**Final Submittal**

January 16, 2009

Prepared By:

**CRAWFORD, MURPHY & TILLY, INC.  
CONSULTING ENGINEERS  
THREE FIRST NATIONAL PLAZA  
70 W. MADISON STREET, SUITE 460  
CHICAGO, ILLINOIS 60602  
<http://www.cmtengr.com>**



**EXPIRES 11/30/09**

**GENERAL**

These Special Provisions, together with applicable Standard Specifications, Rules and Regulations, Contract Requirements for Airport Improvement Projects, Payroll Requirements and Minimum Wage Rates which are hereto attached or which by reference are herein incorporated, cover the requirements of the State of Illinois, Department of Transportation, Division of Aeronautics for the construction of the subject project at the Greater Kankakee Airport, Kankakee, Illinois.

**GOVERNING SPECIFICATIONS AND RULES AND REGULATIONS**

The "Standard Specifications for Construction of Airports", dated January 1985, State of Illinois Department of Transportation, Division of Aeronautics, and the "Supplemental Specifications and Recurring Special Provisions", dated July 1, 2004, State of Illinois Department of Transportation, Division of Aeronautics, and the "Interim Revisions to the Supplemental Specifications and Recurring Special Provisions", dated May 11, 2007, indicated on the Check Sheet included herein shall govern the project except as otherwise noted in these Special Provisions. In cases of conflict with any part or parts of said specifications, the said Special Provisions shall take precedence and shall govern. As noted within the Special Provisions, the Illinois Department of Transportation "Standard Specifications for Road and Bridge Construction", Adopted January 1, 2007, and the Illinois Department of Transportation "BDE Special Provisions" indicated on the Check Sheet included herein shall also apply.

**INDEX TO SPECIAL PROVISIONS**

| <b>ITEM - DESCRIPTION</b>  | <b>PAGE NUMBER</b> |
|--|--------------------|
| <b>DIVISION I – GENERAL PROVISIONS</b>                                     | <b>1</b>           |
| SECTION 10 – Definition Of Terms .....                                     | 1                  |
| SECTION 20 – Scope Of Work .....   | 1                  |
| SECTION 30 – Control Of Work.....  | 2                  |
| SECTION 40 – Control Of Materials .....                                    | 3                  |
| SECTION 50 – Legal Relations And Responsibility To Public.....             | 4                  |
| SECTION 60 – Prosecution And Progress.....                                 | 5                  |
| SECTION 70 – Measurement And Payment.....                                  | 6                  |
| <b>DIVISION II – PAVING CONSTRUCTION DETAILS</b>                           | <b>7</b>           |
| ITEM 152 – Excavation and Embankment.....                                  | 7                  |
| ITEM 201001 – Bituminous Base Course – Method ii.....                      | 8                  |
| ITEM 208515 – Porous Granular Embankment .....                             | 10                 |
| ITEM 209 – Crushed Aggregate Base Course.....                              | 12                 |
| ITEM 401002 – Bituminous Surface Course – Method 2 .....                   | 13                 |
| ITEM 401900 – Remove Bituminous Pavement .....                             | 15                 |
| ITEMS 401915, 401916 – Remove And Replace Bituminous Pavement .....        | 15                 |
| ITEM 602 - Bituminous Prime Coat.....                                      | 18                 |
| ITEM 603 - Bituminous Tack Coat .....                                      | 18                 |
| ITEM 510500 – Tie Down/Ground Rod .....                                    | 19                 |
| ITEM 510900 – Remove Tie Down .....  | 20                 |
| ITEM 610 – Structural Portland Cement Concrete.....                        | 21                 |
| ITEM 620 – Pavement Marking.....   | 22                 |
| <b>DIVISION IV – DRAINAGE PIPE</b>   | <b>23</b>          |
| ITEM 701 – Pipe For Storm Sewers And Culverts .....                        | 23                 |
| ITEM 751 – Manholes, Catch Basins, Inlets & Inspection Holes .....         | 24                 |
| ITEM 752 – Concrete Culverts, Headwalls And Misc. Drainage Structures..... | 26                 |

|  |           |
|--|-----------|
| <b>DIVISION V – TURFING</b>                          | <b>27</b> |
| ITEM 901 – Seeding.....                              | 27        |
| ITEM 905 – Topsoiling .....                          | 29        |
| ITEM 908 – Mulching .....                            | 30        |
| <b>DIVISION VIII – MISCELLANEOUS</b>                 | <b>31</b> |
| ITEM 150510 – Engineer's Field Office.....           | 31        |
| ITEM 150520 – Mobilization.....                      | 32        |
| ITEM 156000 – Erosion Control .....                  | 34        |
| ITEM 800055 – Bituminous Milling Placement.....      | 37        |
| <b>IDOT DIVISION OF AERONAUTICS POLICY MEMORANDA</b> | <b>A</b>  |
| <b>IDOT DESIGN STANDARDS</b>                         | <b>B</b>  |

**IDA POLICY MEMORANDUMS – APPENDIX A INDEX**

|      |   |
|------|---|
| 87-2 | DENSITY ACCEPTANCE OF BITUMINOUS PAVEMENTS  |
| 87-4 | DETERMINATION OF BULK SPECIFIC GRAVITY (d) OF COMPACTED BITUMINOUS MIXES                          |
| 95-1 | FIELD TEST PROCEDURES FOR MIXER PERFORMANCE AND CONCRETE UNIFORMITY TESTS                         |
| 96-1 | ITEM 610, STRUCTURAL PORTLAND CEMENT CONCRETE: JOB MIX FORMULA APPROVAL & PRODUCTION TESTING      |
| 96-2 | REQUIREMENTS FOR LABORATORY, TESTING, QUALITY CONTROL, AND PAVING OF BITUMINOUS CONCRETE MIXTURES |
| 96-3 | REQUIREMENTS FOR QUALITY ASSURANCE ON PROJECTS WITH BITUMINOUS CONCRETE PAVING                    |
| 97-2 | PAVEMENT MARKING PAINT ACCEPTANCE   |

**IDOT DESIGN STANDARDS – APPENDIX B INDEX**

|        |   |
|--------|---|
| 542301 | PRECAST REINFORCED CONCRETE FLARED END SECTION                                |
| 542311 | GRATING FOR CONCRETE FLARED END SECTION 24" THRU 54" PIPE ( <b>MODIFIED</b> ) |

**RECURRING SPECIAL PROVISIONS**

The following RECURRING SPECIAL PROVISIONS indicated by an "X" are Applicable to this contract and are included by reference:

| <u>Check Sheet No.</u> | <u>Item No.</u> | <u>Description</u>                               | <u>Page No.</u> |
|------------------------|-----------------|--|-----------------|
| 1                      | AR101580        | Refurbish 36" Beacon                             | 155             |
| 2                      | AR106000        | Apron Lighting                                   | 160             |
| 3                      | AR119000        | Airport Obstruction Lighting (Not Included)      | 166             |
| 4                      | AR127000        | Airport Navaid Installation (Not Included)       | 167             |
| 5                      | X AR150510      | Engineer's Field Office                          | 168             |
| 6                      | AR150560        | Temporary Threshold                              | 170             |
| 7                      | AR152540        | Soil Stabilization Fabric                        | 173             |
| 8                      | X AR156000      | Erosion Control                                  | 175             |
| 9                      | AR156513        | Separation Fabric                                | 180             |
| 10                     | AR156540        | Riprap   | 182             |
| 11                     | AR201001        | Bituminous Base Course -Method I                 | 185             |
| 12                     | X AR201002      | Bituminous Base Course -Method II                | 193             |
| 13                     | AR201003        | Bituminous Base Course – Method I, Superpave     | 209             |
| 14                     | AR201004        | Bituminous Base Course – Method II, Superpave    | 217             |
| 15                     | X AR201661      | Clean & Seal Bituminous Cracks                   | 230             |
| 16                     | AR201663        | Sand Mix Crack Repair                            | 233             |
| 17                     | AR201671        | Crack Control Fabric                             | 235             |
| 18                     | AR302000        | Asphalt Treated Permeable Subbase                | 237             |
| 19                     | AR401001        | Bituminous Surface Course -Method I              | 245             |
| 20                     | X AR401002      | Bituminous Surface Course -Method II             | 253             |
| 21                     | AR401003        | Bituminous Surface Course – Method I, Superpave  | 269             |
| 22                     | AR401004        | Bituminous Surface Course – Method II, Superpave | 277             |
| 23                     | AR401640        | Bituminous Pavement Grooving                     | 290             |
| 24                     | X AR401650      | Bituminous Pavement Milling                      | 293             |
| 25                     | X AR401655      | Butt Joint Construction                          | 295             |
| 26                     | X AR401900      | Remove Bituminous Pavement                       | 297             |
| 27                     | AR501001        | Portland Cement Concrete -Pavement Method I      | 299             |
| 28                     | AR501002        | Portland Cement Concrete -Pavement Method II     | 316             |
| 29                     | AR501003        | Portland Cement Concrete -Pavement Method III    | 338             |
| 30                     | AR501115        | Crack and Seat Pavement                          | 362             |
| 31                     | AR501540        | PCC Pavement Grooving                            | 365             |
| 32                     | AR501550        | PCC Pavement Milling                             | 368             |
| 33                     | AR501900        | Remove PCC Pavement                              | 370             |
| 34                     | X AR510500      | Tie-down/Ground Rod                              | 372             |
| 35                     | AR605000        | Silicone Joint Sealing Filler                    | 373             |



**This page intentionally left blank.**

## **DIVISION I – GENERAL PROVISIONS**

### **SECTION 10 – DEFINITION OF TERMS**

#### **10-23 ENGINEER**

DELETE:

Paragraph (b).

## **SECTION 20 – SCOPE OF WORK**

#### **20-05 MAINTENANCE OF TRAFFIC**

ADD:

The Contractor shall be responsible for cleaning and maintaining all haul roads and use a pick-up type sweeper on all pavements and adjacent roadways utilized in hauling operations when material is tracked onto said pavement. The Contractor shall have a sweeper on site and maintain all pavements clear of dirt and debris at all times or as requested by the Resident Engineer. If the Contractor fails to comply with the Standard Specifications, Contract Plans or these Special Provisions concerning traffic control, the Resident Engineer shall execute such work as may be deemed necessary to correct deficiencies and the cost thereof shall be deducted from compensation due or which may become due the Contractor under the contract. The Contractor shall be responsible for supplying, maintaining and moving all barricades required for construction. The cost thereof shall not be paid for separately, but shall be considered incidental to the contract unit prices.

The Airport Manager, following consultation with the Resident Engineer, will give proper notice to the nearest Flight Service Station and the Airways Facilities Chief of the Federal Aviation Administration prior to the beginning of construction. The Contractor shall furnish a flagger in radio control with the Air Traffic at any time the active taxiways or airfield pavement are crossed or used for a haul road. The Contractor shall supply his own radios. The cost thereof shall not be paid for separately, but shall be considered incidental to the contract unit prices.

#### **20-09 AIRPORT OPERATIONS DURING CONSTRUCTION**

##### a. Construction Activity and Aircraft Movements

For construction activity to be performed in other areas than active operational areas, the storage and parking of equipment and materials, when not in use or about to be installed, shall not encroach upon active operational areas. In protecting operational areas, the minimum clearances maintained for runways shall be in conformance with Part 77 of the Federal Aviation Regulations.

All construction operations shall conform to the plans and in accordance with AC 150/5370-2 (Latest Edition) Operational Safety on Airports During Construction.

##### b. Limitations On Construction

- (1) Open flame welding or torch cutting operations shall be prohibited, unless adequate fire and safety precautions are provided.

- (2) Open trenches, excavations and stockpiled material near any pavements shall be prominently marked with red flags and lighted by light units during hours of restricted visibility and/or darkness.
  - (3) Stockpiled material shall be constrained in a manner to prevent movement resulting from aircraft blast or wind conditions.
  - (4) The use of explosives shall be prohibited.
  - (5) Burning shall not be allowed.
- c. Debris

Waste and loose material capable of causing damage to aircraft landing gears, propellers, or being ingested in jet engines shall not be placed on active aircraft movement areas. Material tracked on these areas shall be removed continuously during the work project. The Contractor shall provide garbage cans in employee parking areas and storage areas for debris.

## **SECTION 30 – CONTROL OF WORK**

### **30-10 INSPECTION OF WORK**

ADD:

The Contractor shall provide portable flood lighting for nighttime construction. Sufficient units shall be provided so that work areas are illuminated to a level of five horizontal foot candles. The lighting levels shall be calculated and measured in accordance with the current standards of the Illumination Engineering Society. Lights shall be positioned so as not to interfere with Airport operations.

### **30-12 LOAD RESTRICTIONS**

ADD:

Contractor's use of the existing airfield and perimeter pavements by equipment and loaded trucks shall be minimized. **Any damage to existing airfield and perimeter pavements shall be repaired by the Contractor at his own expense to the satisfaction of the Owner. Contractor shall obtain written permission from the Airport Owner to use any airfield pavements.**

The Contractor shall acquaint himself with the load restriction of all local perimeter roadways intended for use as haul roads.

### **30-18 PLANS AND WORK DRAWINGS**

DELETE:

References to "approval" in first paragraph and replace with "review".

REVISE the second paragraph of the Supplemental Specifications to read:

Shop drawings submitted by the Contractor for materials and/or equipment to be provided as a part of the contract shall be reviewed by the Project Engineer for substantial conformance of said materials and/or equipment, to contract requirements. Shop drawings shall be full descriptive, complete and of sufficient detail for ready determination of compliance.

REVISE the last paragraph of the Supplemental Specifications to read:

The following information shall be clearly marked on each shop, working, and layout drawing, catalog cut, pamphlet specifications sheet, etc., submitted.

|                          |  |
|--------------------------|--|
| <b>PROJECT LOCATION:</b> | <b>Greater Kankakee Airport</b>                            |
| <b>PROJECT TITLE:</b>    | <b>Rehabilitate Terminal Apron and Taxiway H – Phase 1</b> |
| <b>PROJECT NUMBERS</b>   | <b>IL Project: IKK-3864<br/>AIP Project: 3-17-0057-B16</b> |
| <b>CONTRACT ITEM:</b>    | <b>(i.e. AR 156531 Erosion Control Blanket)</b>            |
| <b>SUBMITTED BY:</b>     | <b>(Contractor/Subcontractor Name)</b>                     |
| <b>DATE:</b>             | <b>(Date Submitted)</b>                                    |

## **SECTION 40 – CONTROL OF MATERIALS**

### **40-01 SOURCE OF SUPPLY AND QUALITY REQUIREMENTS**

ADD: After the last paragraph

The Contractor shall certify all materials contained in the contract. Certification documentation shall be submitted to the Engineer. It shall be the sole responsibility of the Contractor to ensure the delivery of adequate and accurate documentation prior to the delivery of the materials.

**If, upon delivery and incorporation of any materials, the Contractor has failed to provide the necessary submittals as required by Sections 30-18, 40-01, 40-03 and 40-11 of the Standard and Special Provisions, the pay item shall not included on the Construction Progress Payment report until such submittals have been furnished.**

### **40-03 CERTIFICATION OF COMPLIANCE**

ADD:

Additional requirements are specified in Section 40-11 Certification of Materials.

### **40-11 CERTIFICATION OF MATERIALS**

ADD:

The Contractor shall certify all materials incorporated into the contract. Certification documentation shall be submitted to the Resident Engineer. It shall be the **sole** responsibility of the Contractor to ensure the submittal of adequate and accurate documentation in order to satisfy the contract material certification requirements **prior** to the delivery of the materials. Materials without certification or those with certification that demonstrates the materials do not meet the requirements of the plans and specifications shall be considered nonconforming and subject to the provisions of Section 30-02.

As a guide to the certification process and requirements, the Contractor shall use the Illinois Department of Transportation/Division of Aeronautics MANUAL FOR DOCUMENTATION OF AIRPORT MATERIALS dated February 2004 or latest edition including any addendums. Copies of this manual are available by contacting Mr. Mike Wilhelm-Division of Aeronautics at (217) 785-4282 or from their website at "<http://www.dot.il.gov/aero/PDF/airmaterials.pdf>".

The cost of providing the required material documentation and certifications shall not be paid for separately, but shall be considered incidental to the associated item.

## **SECTION 50 – LEGAL RELATIONS AND RESPONSIBILITY TO PUBLIC**

### **50-17 CONTRACTOR'S RESPONSIBILITY FOR UTILITY SERVICE AND FACILITIES OF OTHERS**

ADD:

Special care shall be taken on all operations and particularly near pavement edges to avoid damage to edge lights and all underground electrical cable on the airport. The approximate location of existing underground cable is shown on drawings. Any airfield lights or cable that are broken and require replacement because of the Contractor's operations will be replaced by the contractor at his own expense.

Any airfield cable repairs or replacement to any part of the electrical system made necessary by the Contractor's operations will be made by him in the manner specified in Sections 108 and 125 at no cost to the airport. Cost of replacement to be borne by the Contractor shall include any expense incurred in locating as well as repairing or replacing damaged parts of the system by the owning agency.

It shall be the Contractor's responsibility to locate and protect all airport-owned utilities within the construction limits. This includes all electrical cables, storm sewer, drain tile, sanitary sewer and water main.

Special attention is necessary when working near FAA power and control cables. Any FAA utility that is damaged or cut during construction shall be repaired immediately. FAA requires that any damaged cable be replaced in its entirety, no splices will be permitted. No additional compensation will be made for replacement or repair of FAA facilities or cables but, shall be incidental to the contract. Should any utilities or cables require location, the following people shall be contacted:

**GREATER KANKAKEE AIRPORT**

| <u>Utility Service or Facility</u>     | <u>Contact (Person)</u>  | <u>Contact (Phone)</u> |
|--|--|------------------------|
| AT&T – Telephone Cables                | J.U.L.I.E. (Joint Utility Locating Information for Excavators) | 1-800-892-0123         |
| ComEd - Electric Cables                | J.U.L.I.E. (Joint Utility Locating Information for Excavators) | 1-800-892-0123         |
| Airfield Lighting Cables & Water Lines | Greater Kankakee Airport                                       | 1-815-939-1422         |
| NICOR - Gas Lines                      | J.U.L.I.E. (Joint Utility Locating Information for Excavators) | 1-800-892-0123         |
| FAA Control and Communication Cables   | FAA Sector Office  | 1-800-935-1900         |
| Aqua Illinois – Watermain              | Supervisor of Construction                                     | 1-815-935-6538         |
| City of Kankakee – Sanitary Sewer      | Randy Collins  | 1-815-933-0445         |

**SECTION 60 – PROSECUTION AND PROGRESS**

**60-03 NOTICE TO PROCEED**

ADD:

The Notice to Proceed will not be given until all materials are certified by the Contractor to be available and on hand.

**60-05 LIMITATION OF OPERATIONS**

ADD:

The Contractor shall not have access to any part of the active airfield (runways or taxiways) for any equipment or personnel without approval of the Airport Manager.

**60-07 TEMPORARY SUSPENSION OF THE WORK**

Replace references to “Resident Engineer” with “Engineer” throughout this section.

**60-09 FAILURE TO COMPLETE ON TIME**

DELETE: Entire Section.

ADD: See contract documents for liquidated damages schedule.

**60-10 DEFAULT AND TERMINATION OF CONTRACT**

DELETE: “and his surety” from the first sentence.

Replace references to “Project Engineer” with “Engineer” throughout this section.

## SECTION 70 – MEASUREMENT AND PAYMENT

### 70-05 PAYMENT FOR EXTRA AND FORCE ACCOUNT WORK

DELETE: Entire Section.

ADD:

Article 109.4 Payment for Extra Work from the Illinois Department of Transportation, *Standard Specifications for Road and Bridge Construction*, Adopted January 1, 2007.

Revise Article 109.04 (b) (1) to read as follows:

(1) Labor. For all labor and foreman in direct charge of the specific operations, the Contractor shall receive the actual normal rate of wage (in conformance with the county's prevailing wage rate) paid for each and every hour that said labor and foremen are **actually engaged** in such work.

An amount equal to 35 percent of the sum of the above items will also be paid the Contractor.

## **DIVISION II – PAVING CONSTRUCTION DETAILS**

### **ITEM 152 – EXCAVATION AND EMBANKMENT**

#### **(SUPPLEMENTAL SPECIFICATION)**

#### **DESCRIPTION**

##### **152-1.2 CLASSIFICATION**

DELETE the second, third and fourth paragraphs from Supplemental Specification.

#### **CONSTRUCTION METHODS**

##### **152-2.15 DUST CONTROL WATERING**

ADD:

This work shall consist exclusively of the control resulting from construction operations and is not intended for use in the compaction of earth embankment.

Dust shall be controlled by the uniform application of sprinkled water and shall be applied as directed by the Engineer, in a manner meeting his approval.

Dust control watering shall not be paid for separately, but shall be considered incidental to this item.

#### **METHOD OF MEASUREMENT**

##### **152-3.4**

DELETE from Supplemental: This section.

#### **BASIS OF PAYMENT**

##### **152-4.1**

DELETE from Supplemental: The 4<sup>th</sup> paragraph in the Supplemental Specifications.

ADD to Supplemental:

Excess material disposal offsite shall not be paid for separately, but shall be included in the unit bid price for "UNCLASSIFIED EXCAVATION."

**ITEM AR152410 UNCLASSIFIED EXCAVATION - PER CUBIC YARD.**



## **ITEM 201001 – BITUMINOUS BASE COURSE – METHOD II**

### **CHECK SHEET #12**

#### **MATERIALS**

##### **201-3.2 JOB MIX FORMULA (JMF)**

Revised the first sentence of the first paragraph to read:

The Contractor is responsible for the job mix formula (JMF) and no bituminous mixture for payment shall be produced until the approved JMF is submitted to the Contractor in writing by the Engineer.

Revise Table 2 to read as follows:

TABLE 2 MARSHALL DESIGN CRITERIA

|                               | <u>Over 60,000 lb.</u> |
|-------------------------------|------------------------|
| Number of Blows               | 75                     |
| Stability (Min.)              | 1800                   |
| Flow                          | 8 – 16                 |
| Percent Air Void              | 1.5 – 4.0              |
| Voids Filled With Asphalt (%) | 75 – 90                |

#### **CONSTRUCTION METHODS**

##### **201-4.11 JOINTS**

Add the following paragraph to this section:

At any time during the base course paving operation it becomes necessary to end a paving lane at a location other than the proposed finished pavement edge because of ending a day's paving, machinery breakdown, etc.; the lane end will be sawed back a sufficient distance to provide a smooth, neat appearing joint from which to resume paving. The sawed face will be painted with a tack coat and this work shall be considered incidental to Item 201 Bituminous Base Course, and no additional compensation will be allowed.

##### **201-4.12 SHAPING EDGES**

ADD:

All pavement edges, including the pavement ends, must be left in proper alignment as shown on the plans. This may be accomplished by a trimming method or at the Contractor's option by sawing after the paving has been completed. No additional compensation will be made if the sawing method is used.

**METHOD OF MEASUREMENT**

**201-5.1**

ADD:

Measurement for payment will not be made for any bituminous base course in excess of 103 percent of the quantity specified by the Engineer.

**BASIS OF PAYMENT**

Payment will be made under:

|                      |   |
|----------------------|---|
| <b>ITEM AR201610</b> | <b>BITUMINOUS BASE COURSE - PER TON</b>         |
| <b>ITEM AR201630</b> | <b>BITUMINOUS BASE TEST SECTION – PER EACH.</b> |
| <b>ITEM AS201610</b> | <b>BITUMINOUS BASE COURSE - PER TON.</b>        |

## **ITEM 208515 – POROUS GRANULAR EMBANKMENT**

### **DESCRIPTION**

#### **208-1.1**

ADD:

This work shall consist of furnishing and placing porous granular embankment as the field conditions warrant at the time of construction as directed by the Engineer. Excavation of any soft subgrade shall be paid for at the contract unit price for UNCLASSIFIED EXCAVATION.

The contractor shall take the necessary precautions to protect the pavement structure and subgrade from damage, which may include but not be limited to use of tracked equipment, short haul trucks or tracked pavers. At all times the Contractor shall perform all maintenance work necessary to keep each newly constructed pavement section layer in a satisfactory condition. The Contractor shall be responsible for all damage done by his hauling and construction equipment. Any work necessary to correct damaged work shall be performed by the Contractor at the expense of the Contractor.

### **MATERIALS**

#### **208-2.1 UNCRUSHED COARSE AGGREGATE**

DELETE: Entire section.

#### **208.2-3 GRADATION**

DELETE: Entire section.

ADD:

When submitting materials for consideration, the Contractor shall provide written certification that the material meets the specified requirements. A written gradation shall also be furnished.

Gradation for Porous Granular Embankment shall be the following:

| <b>Sieve</b>          | <b>Percent Passing</b> |
|-----------------------|------------------------|
| 3 inch                | 100                    |
| 2 ½ inch              | 90-100                 |
| 2 inch                | 45-75                  |
| 1 ½ inch              | 0-30                   |
| 1 inch                | 0-6                    |
| <b>IDOT Gradation</b> | <b>CA-1</b>            |
|                       |                        |

### **CONSTRUCTION REQUIREMENTS**

#### **208-3.3 PREPARING UNDERLYING COURSE**

DELETE: Entire section.

#### **208-3.4 METHODS OF PRODUCTION**

DELETE: Entire section.

### **208-3.5 METHODS OF SPREADING**

DELETE: Entire section.

ADD: Paragraph (D)

The porous granular embankment shall be placed in lifts no greater than one (1) foot thick or as directed by the Engineer. Rolling the top of this replacement material with a vibratory roller meeting the requirements of Section 1101 of the IDOT *Standard specification for Road and Bridge Construction* should be sufficient to obtain the desired keying or interlock and necessary compaction. The Engineer shall verify that adequate keying has been obtained.

### **208-3.6 FINISHING AND COMPACTING**

DELETE: Fifth sentence, first paragraph.

ADD:

The base shall be compacted to the satisfaction of the Engineer.

Capping aggregate will not be required when embankment meeting the requirements of Section 209 of the Standard Specifications or granular subbase is placed on top of the porous granular embankment. Capping aggregate (two (2) inch depth) meeting the requirements of Section 209 of the Standard Specifications will be required when embankment meeting the requirements of Section 152 of the Standard Specifications is placed on top of the porous granular embankment.

### **METHOD OF MEASUREMENT**

#### **208-4.3**

ADD:

The quantity of Porous Granular Embankment shall be the number of cubic yards as measured by the Engineer at the specified thickness of the material placed. If required, the thickness of PGE measured for payment will include the thickness of the capping stone.

The porous granular embankment shall be used as shown and as field conditions warrant at the time of construction. No adjustment in unit price will be allowed for an increase or decrease in quantities.

### **BASIS OF PAYMENT**

#### **208-5.1**

DELETE: Entire section.

ADD:

Payment for porous granular embankment shall be paid for at the contract unit price per cubic yard, of which price shall be full for furnishing, spreading, compacting, watering and all incidentals related to equipment, labor and tools necessary to complete this work.

Payment will be made under:

**ITEM AR208515      POROUS GRANULAR EMBANKMENT - PER CUBIC YARD.**

## **ITEM 209 – CRUSHED AGGREGATE BASE COURSE**

### **MATERIALS**

#### **209-2.3 GRADATION**

DELETE: Gradation "C" in Table 1.

### **CONSTRUCTION METHODS**

#### **209-3.6 FINISHING AND COMPACTING**

ADD:

The base shall be compacted to not less than 100% of maximum density at optimum moisture as determined by compaction control tests specified in Division VII for aircraft with gross weights of 60,000 lbs and less (Standard Proctor ASTM D698).

The Contractor shall submit copies of all density test results for each lift to the Resident Engineer prior to acceptance testing.

#### **209-3.8 THICKNESS CONTROL**

DELETE this section

### **BASIS OF PAYMENT**

#### **209-5.1**

DELETE: This section

ADD:

Payment will be made under:

|                      |  |
|----------------------|--|
| <b>ITEM AR209612</b> | <b>CRUSHED AGG. BASE COURSE – 12" – PER SQUARE YARD.</b> |
| <b>ITEM AR209614</b> | <b>CRUSHED AGG. BASE COURSE – 14" – PER SQUARE YARD.</b> |

## **ITEM 401002 – BITUMINOUS SURFACE COURSE – METHOD 2**

### **(Central Plant Hot Mix) CHECK SHEET #20**

#### **MATERIALS**

##### **401-2.4 PRIME AND TACK COAT**

Prime Coat materials shall conform to the material requirements of Item 602 in the “Supplemental Specifications and Recurring Special Provisions”, dated July 1, 2004, State of Illinois Department of Transportation, Division of Aeronautics, and shall be applied as directed by the Engineer.

Tack Coat materials shall conform to the material requirements of Item 603 in the “Supplemental Specifications and Recurring Special Provisions”, dated July 1, 2004, State of Illinois Department of Transportation, Division of Aeronautics, and shall be applied as directed by the Engineer.

#### **COMPOSITION**

##### **401-3.2 JOB MIX FORMULA (JMF)**

REVISE: Table 2 to read as follows:

TABLE 2 MARSHALL DESIGN CRITERIA

|                               | <u>Over 60,000 lb.</u> |
|-------------------------------|------------------------|
| Number of Blows               | 75                     |
| Stability (Min.)              | 1800                   |
| Flow                          | 8 – 16                 |
| Percent Air Void              | 1.5 – 4.0              |
| Voids Filled With Asphalt (%) | 75 – 90                |

#### **CONSTRUCTION METHODS**

##### **401-4.11 JOINTS**

ADD the following as the fifth paragraph of this section:

If at any time during the surface course paving operation, it becomes necessary to end a paving lane at a location other than the new finished pavement edge because of ending a day's paving, machinery breakdown, etc., the lane end will be sawed back a sufficient distance to provide a smooth, neat appearing joint from which to resume paving. The sawed face will be painted with a tack coat and this work shall be considered incidental to Item 401, Bituminous Surface Course, and no additional compensation will be allowed.

##### **401-4.12 SHAPING EDGES**

Add the following as the second paragraph for this section:

All pavement edges, including the pavement ends, must be left in proper alignment, as shown on the plans. This may be accomplished by a trimming method, or, at the Contractor's option, by sawing after the paving has been completed. No additional compensation will be made if the sawing method is used.

**METHOD OF MEASUREMENT**

**401-5.1**

ADD:

Measurement for payment will not be made for any bituminous surface course in excess of 103 percent of the quantity specified by the Engineer.

Payment will be made under:

|                      |  |
|----------------------|--|
| <b>ITEM AR401610</b> | <b>BITUMINOUS SURFACE COURSE – PER TON.</b>        |
| <b>ITEM AR401630</b> | <b>BITUMINOUS SURFACE TEST SECTION – PER EACH.</b> |
| <b>ITEM AS401610</b> | <b>BITUMINOUS SURFACE COURSE – PER TON.</b>        |

## **ITEM 401900 – REMOVE BITUMINOUS PAVEMENT**

### **CHECK SHEET NO. 26**

#### **DESCRIPTION**

##### **401-1.1**

ADD: To the second paragraph:

Pavement structure information was taken from airport records, data supplied by airport personnel and pavement/soil borings. The Contractor shall verify the type and thickness of material to be removed. **No extra compensation will be allowed for any variations in the pavement sections actually encountered.**

#### **CONSTRUCTION METHODS**

##### **401-3.1**

ADD:

Any damage to the pavement beyond the limits as shown on the plans shall be removed and replaced by the Contractor at his expense. These areas shall be saw cut to a uniform width.

#### **METHOD OF MEASUREMENT**

##### **401-4.1**

ADD:

If the pavement or subgrade material is removed outside the defined limits due to negligence on the part of the Contractor, the additional quantity of pavement removal and replacement of subgrade material will not be measured for payment.

#### **BASIS OF PAYMENT**

##### **401-5.1**

ADD:

Payment will be made under:

|                      |  |
|----------------------|--|
| <b>ITEM AR800143</b> | <b>REMOVE BITUMINOUS PAVEMENT (3") - PER SQUARE YARD.</b>    |
| <b>ITEM AR800144</b> | <b>REMOVE BITUMINOUS PAVEMENT (6"-8") - PER SQUARE YARD.</b> |

## **ITEMS 401915, 401916 – REMOVE AND REPLACE BITUMINOUS PAVEMENT**

#### **DESCRIPTION**

##### **401915-1.1**

This item shall consist of bituminous pavement removal and replacement for patches as described in the plans. Pavement removal and replacement quantities are estimated. The Resident Engineer shall lay out



pavement removal and replacement areas in the field during construction. The pavement shall be compacted in accordance with these specifications and shall conform to the lines, grades, thicknesses and typical sections as shown on the plans or as directed by the Resident Engineer.

Each course shall be constructed to the depth, section or elevation required to match the existing pavement structure and shall be rolled, finished and approved prior to the placement of the next course.

## **MATERIALS**

### **401915-2.1 BITUMINOUS SURFACE COURSE**

The bituminous surface course shall conform to the specifications of Section 401.

### **401915-2.3 BITUMINOUS PRIME COAT**

The bituminous prime coat shall conform to the specifications of Section 602.

### **401915-2.4 BITUMINOUS TACK COAT**

The bituminous tack coat shall conform to the specifications of Section 603.

## **CONSTRUCTION METHODS**

### **401915-3.1**

The type of material to be removed along with approximate typical pavement section is shown on the plans and as follows:

- TYPE A – Partial Depth – 3' wide by 2" (minimum) depth bituminous pavement
- TYPE B – Full Depth – 3' wide by 8"- 10" depth bituminous pavement

Pavement structure information was taken from airport records, data supplied by airport personnel and pavement cores. The Contractor shall verify the type and thickness of material to be removed. **No extra compensation will be allowed for any variations in the pavement sections actually encountered.**

### **401915-3.2**

The proposed pavement replacement section shall be as specified herein. Prime coat shall be applied to the aggregate base. Tack coat shall be applied between each lift of asphalt.

### **401915-3.3**

The existing pavement areas to be removed shall be done in such a manner as to prevent damage to the adjacent pavements. All edges adjacent to existing pavements shall be saw-cut full depth prior to removal, as directed by the Resident Engineer.

### **401915-3.4**

Pavement replacement will be as detailed on the plans and constructed in accordance to the applicable Sections 401, 602 & 603. The various materials required for pavement replacement shall be in accordance with the applicable portions of the Standard Specifications, Supplemental Specifications, Recurring Special Provisions and these Special Provisions. Any damage to pavement beyond the limits as shown on the plans **shall be removed and replaced by the Contractor at his expense. These areas shall be saw cut to a uniform width.**

**401915-3.5**

Pavement Removal and Replacement shall be the removal of the existing pavements as shown on the plans and the replacement pavement shall match the existing pavement thickness. The replacement pavement shall consist of bituminous surface course conforming to the specifications of Section 401. The maximum lift thickness shall be 3". For full-depth patching, the existing aggregate base course shall be re-graded and compacted prior to the placement of the bituminous course. Cost of regarding and compacting to the existing base shall be incidental to the pavement removal and replacement.

**METHOD OF MEASUREMENT**

**401915-4.1**

The area of pavement removal and replacement shall be measured by the number of square yards, satisfactorily removed, replaced and disposed of as shown on the plans or as directed by the Resident Engineer.

**401915-4.2**

If additional pavement or subgrade material is removed due to negligence on the part of the Contractor, the additional quantity of pavement removal and replacement of subgrade material will not be measured for payment.

**401915-4.3**

The bituminous surface course, bituminous prime coat and bituminous tack coat will not be measured separately for payment, but will be considered incidental to REMOVE & REPLACE BIT. PAVEMENT – TYPE A or B, per square yard.

**BASIS OF PAYMENT**

**401915-5.1**

Payment for REMOVE & REPLACE BIT. PAVEMENT shall be made at the contract unit price per square yard. This price shall include full compensation for sawing, removal, disposal, replacement of asphalt materials, compaction, prime coat, tack coat, including furnishing all materials, labor, tools, equipment and incidentals necessary to complete this item of work. For the purposes of payment, Type A pavement shall be partial depth (4" depth). Type B pavement shall be full depth (5" – 9" depth).

Any grading and recompacting of existing granular base course to proper grade shall not be paid for separately but shall be considered incidental to Remove & Replace Bituminous Pavement.

Payment will be made under:

**ITEM AR401915      REM & REP BIT PAVEMENT – TYPE A - PER SQUARE YARD.  
ITEM AR401916      REM & REP BIT PAVEMENT – TYPE B - PER SQUARE YARD.**

**ITEM 602 - BITUMINOUS PRIME COAT**

**(SUPPLEMENTAL SPECIFICATION)**

**BASIS OF PAYMENT**

Payment will be made under:

**ITEM AR602510      BITUMINOUS PRIME COAT - PER GALLON.**

**ITEM 603 - BITUMINOUS TACK COAT**

**(SUPPLEMENTAL SPECIFICATION)**

**CONSTRUCTION METHODS**

**603-3.3 APPLICATION OF BITUMINOUS MATERIAL**

Add the following to the second paragraph:

Areas worn from hauling operations shall be re-tacked at no additional cost to the Contract.

**BASIS OF PAYMENT**

Payment will be made under:

**ITEM AR603510      BITUMINOUS TACK COAT - PER GALLON.  
ITEM AR603510      BITUMINOUS TACK COAT - PER GALLON.**

**ITEM 510500 – TIE DOWN/GROUND ROD**

**CHECK SHEET #34**

**MATERIALS**

**510500-2.1**

ADD:

Materials required for this item shall include mooring eyes (Neenah R-3490 or approved equal), and all necessary anchor rods and 610 concrete to install and secure the mooring eyes. Ground rods shall be ¾" diameter x 10' copperweld.

**CONSTRUCTION METHODS**

**510500-3.1**

ADD:

Ground rods shall be installed after paving is completed. A 4" diameter hole shall be cored through the pavement. The ground rod shall be driven to ¼" below finished pavement surface. Coring and grouting shall be considered incidental to the ground rod installation.

**BASIS OF PAYMENT**

**510500-5.1**

ADD:

If, upon delivery and incorporation of any materials, the Contractor has failed to provide the necessary submittals as required by Sections 30-18, 40-01, 40-03 and 40-11 of the Standard and Special Provisions, the pay item shall not included on the Construction Progress Payment report until such submittals have been furnished.

Payment will be made under:

|                      |                               |
|----------------------|-------------------------------|
| <b>ITEM AR510510</b> | <b>TIE DOWN – PER EACH.</b>   |
| <b>ITEM AR510515</b> | <b>GROUND ROD - PER EACH.</b> |
| <b>ITEM AS510510</b> | <b>TIE DOWN – PER EACH.</b>   |
| <b>ITEM AS510515</b> | <b>GROUND ROD - PER EACH.</b> |

## **ITEM 510900 – REMOVE TIE DOWN**

### **DESCRIPTION**

#### **510900-1.1**

This item of work shall consist of removing existing tie downs as shown on plans and replacing them with a bituminous pavement. The backfilling as specified below will not be paid for separately but shall be considered part of the removal.

### **MATERIALS**

#### **510900-2.1**

The Controlled Low Strength Material (CLSM) shall be in accordance with IDOT's Recurring Special Provision Check Sheet #24 to the Standard Specifications for Road and Bridge Construction

Bituminous surface shall be in accordance with Section 401.

Bituminous tack coat shall be in accordance with Section 603.

### **CONSTRUCTION METHODS**

#### **510900-3.1**

The Contractor shall sawcut full depth the existing bituminous pavement adjacent to the tie down prior to removal of the tie down. The tie down and concrete foundation shall be removed to a minimum depth of 3 feet below the pavement surface. The contractor shall dispose of all materials off Airport property.

The void left by the removal shall be backfilled to 9" below pavement surface with CLSM material. The final 9" shall be filled with bituminous surface course, placed and compacted in 3 lifts.

### **METHOD OF MEASUREMENT**

#### **510900-4.1**

Tie down removal will be measured per each removed, backfilled and accepted.

### **BASIS OF PAYMENT**

#### **510900-5.1**

The accepted quantity of Remove Tie Down will be paid at the contract unit price per each which price and payment shall be full compensation for furnishing all materials, bituminous pavement removal/replacement, tie down removal, foundation removal, backfill material and placement, equipment, labor, hauling, disposal and all other incidental items necessary to complete the work to the satisfaction of the Engineer.

**ITEM AR510900 REMOVE TIE DOWN - PER EACH.**  
**ITEM AS510900 REMOVE TIE DOWN - PER EACH.**

**ITEM 610 – STRUCTURAL PORTLAND CEMENT CONCRETE**

**(SUPPLEMENTAL SPECIFICATION)**

**CONSTRUCTION METHODS**

**610-3.2 CONCRETE PROPORTIONS**

Replace the last sentence of the sixth paragraph of Standard Specifications with “The air content of the concrete shall be between 5% and 8%, by volume.”

## **ITEM 620 – PAVEMENT MARKING**

### **MATERIALS**

#### **620-2.2**

ADD to Supplemental at the end of the first paragraph:

“The paint shall contain no lead, chromium, cadmium and barium.”

### **CONSTRUCTION METHODS**

#### **620-3.7 PAVEMENT MARKING REMOVAL**

ADD to Supplemental at the end of the paragraph:

Pavement Marking Removal shall be vacuumed and cleaned according to the IDOT Bureau of Design and Environment Special Provision “Water Blaster with Vacuum Recovery” #80163.

### **METHOD OF MEASUREMENT**

#### **620-4.1**

ADD to Supplemental:

The quantity of permanent markings to be paid for shall be the number of square feet of painting with the specified material **measured only once to apply two coats** in conformance with the specifications and accepted by the Engineer. Quantities will not be distinguished between white and yellow colors of paint.

### **BASIS OF PAYMENT**

ADD:

Payment will be made under:

**ITEM AR620520      PAVEMENT MARKING – WATERBORNE - PER SQUARE FOOT.**  
**ITEM AR620900      PAVEMENT MARKING REMOVAL – PER SQUARE FOOT.**

**DIVISION IV – DRAINAGE PIPE**

**ITEM 701 – PIPE FOR STORM SEWERS AND CULVERTS**

**(SUPPLEMENTAL SPECIFICATION)**

**MATERIALS**

**701-2.1 GENERAL**

DELETE: Entire Section

ADD:

Pipe shall be of the type and diameter indicated and installed at the locations shown on the plans. Pipe for storm sewers shall be concrete storm sewer pipe Class IV reinforced concrete conforming to ASTM C-76 (with joints meeting ASTM C-361) unless otherwise called out in the plans.

All pipe shall be Type 1.

**BASIS OF PAYMENT**

**701-5.1**

ADD:

If, upon delivery and incorporation of any materials, the Contractor has failed to provide the necessary submittals as required by Sections 30-18, 40-01, 40-03 and 40-11 of the Standard and Special Provisions, the pay item shall not be included on the Construction Progress Payment report until such submittals have been furnished.

Payment will be made under:

**ITEM AR701512      12” RCP, CLASS IV - PER LINEAR FOOT.**



## **ITEM 751 – MANHOLES, CATCH BASINS, INLETS & INSPECTION HOLES**

### **DESCRIPTION**

#### **751-1.1**

ADD:

Specifically, this item consists of the construction of Type 1 inlets and the adjustment of manholes as shown on the plans or as directed by the Engineer.

### **CONSTRUCTION METHODS**

#### **751-3.7 PLACEMENT AND TREATMENT OF CASTING, FRAMES, AND FITTINGS**

ADD:

All adjustments to bring the casting and frames to true grade shall be done with precast rings. All adjusting rings must be mortared together and must be mortared to the casting, as well as to the cone section or flat top of the structure. The maximum height of adjusting rings shall be eight (8) inches. The maximum number of rings in any structure is three (3). This may require the Contractor to remove existing rings and replace with larger rings.

Castings placed on concrete shall be set in full mortar beds. Castings shall be set to the finished pavement elevation so no subsequent adjustment will be necessary. Lifting devices will be approved by the Engineer.

The Contractor shall be responsible for field checking existing manhole configurations for the necessary adjustments.

#### **751-3.9 BACKFILLING**

REVISE Supplemental Specifications to read as follows:

Backfill material shall be an approved IDOT Division of Highways gradation CA-10 or CA-06 conforming to the material requirements of Item 208.

#### **751-3.11 DEWATERING**

The Contractor shall, at all times, provide and maintain in operation pumping and/or well point equipment for the complete dewatering of the excavation. No structure shall be permitted to be constructed in an excavated area in which any amount of water flows or is pooled. The cost of dewatering shall be included in the unit price of the structure.

### **BASIS OF PAYMENT**

#### **751-5.1**

ADD:

The accepted quantities for new inlets and adjusted manholes will be paid for at the contract unit price per each, complete and in place. This price shall be full compensation for furnishing all materials and for all preparation, excavation, removal, backfilling and placing of the materials; furnishing and installation of

such specials and connections to pipes and other structures may be required to complete the item as shown on the plans.

If, upon delivery and incorporation of any materials, the Contractor has failed to provide the necessary submittals as required by Sections 30-18, 40-01, 40-03 and 40-11 of the Standard and Special Provisions, the pay item shall not be included on the Construction Progress Payment report until such submittals have been furnished.

Payment will be made under:

**ITEM AR751416      TYPE 1 INLET - PER EACH.  
ITEM AR751943      ADJUST MANHOLE - PER EACH.**

**ITEM 752 – CONCRETE CULVERTS, HEADWALLS AND MISC. DRAINAGE  
STRUCTURES**

**(SUPPLEMENTAL SPECIFICATION)**

**DESCRIPTION**

**752-1.1**

ADD:

Specifically, this item shall consist of precast reinforced concrete flared end sections with grates at the specified locations and conforming to the lines, grades, and dimensions shown on the plans or required by the Engineer.

**MATERIALS**

**752-2.2 FLARED END SECTION**

The proposed flared end section shall be reinforced concrete conforming to the ASTM Designation C-76, Class IV Pipe, and shall be constructed according to IDOT Standard 542301-01, and the grating for the flared end section shall conform to IDOT Standard 542311 as modified.

**BASIS OF PAYMENT**

**752-5.1**

If, upon delivery and incorporation of any materials, the Contractor has failed to provide the necessary submittals as required by Sections 30-18, 40-01, 40-03 and 40-11 of the Standard and Special Provisions, the pay item shall not be included on the Construction Progress Payment report until such submittals have been furnished.

Payment will be under:

**ITEM AR752412      PRECAST REINFORCED CONC. FES 12” - PER EACH.**

**DIVISION V – TURFING**

**ITEM 901 – SEEDING**

**(SUPPLEMENTAL SPECIFICATION)**

**MATERIALS**

**901-2.1 SEED**

REVISE:

The second sentence in the second paragraph in the Standard Specifications to read:

The contractor shall furnish the Resident Engineer duplicate signed copies of a statement by a recognized laboratory for seed testing within one year of the date of delivery.

DELETE: The seed mix table.

ADD:

The seed mixture shall be as follows:

**SEEDING CLASS 1 – LAWN MIXTURE**

| <u>SEEDS</u>        | <u>LBS/ACRE</u> |
|---------------------|-----------------|
| Kentucky Bluegrass  | 100             |
| Perennial Ryegrass  | 60              |
| Creeping Red Fescue | <u>40</u>       |
| TOTAL               | 200             |

Alternate seed mixtures may be submitted to the Engineer for consideration.

**901-2.2 LIME**

DELETE: Entire Section

**901-2.3 FERTILIZER**

DELETE: This Section of the Supplemental Specifications.

REVISE last paragraph to read as follows:

Fertilizer shall be applied at rates that supply the following amounts of nutrients per acre to the distributed areas of seeding:

| <u>NUTRIENTS</u>  | <u>POUNDS PER ACRE</u> |
|-------------------|------------------------|
| Nitrogen          | 90                     |
| Phosphorus (P205) | 90                     |
| Potassium (K20)   | <u>90</u>              |
| TOTAL             | 270                    |

## CONSTRUCTION METHODS

### 901-3.2 DRY APPLICATION METHOD

DELETE: Entire Section

ADD:

- (a) Description: This work shall consist of furnishing, transporting and installing all seeds, plant or other materials required for:
1. Any remedial operations in conformance with the plans as specified in these special provisions or as directed by the Engineer.
- (b) General Requirements: The site will be in the following condition:
1. The grade will be shaped to the elevation shown on the plans.
  2. The topsoil will be free of clods, stones, roots, sticks, rivulets, gullies, crusting, caking and have a soil particle size of no larger than 1".
- (c) Seeding Equipment: Seeding equipment shall meet the following requirements. Any other equipment deemed necessary shall be subject to the approval of the Engineer.
1. Disc: Any disc new for the use shall be in a good state of repair with sound, unbroken blades. The disc shall be weighted if necessary to achieve the required tillage depth.
  2. No-Till Planters and Drills: Rangeland type drills and no-till planters shall be designed specifically for the seeding of native grasses and forbs with depth control bands set at 1/4" - 1/8".
  3. Seedbed Preparation: Seedbed preparation methods shall be approved by the Engineer. Cultivation shall be accomplished at such a time that seeding may occur immediately and without delay. No seeds shall be sown until the Seedbed has been approved by the Engineer.
- (d) Seeding Methods: The Contractor shall submit for approval by the Engineer and schedule for seeding and/or planting at least two weeks prior to the scheduled commencement of work. Broadcast seeders will not be allowed. Seeder will be a drill type planter. The Engineer shall examine and then approve any equipment to be used. Prior to starting work, all seeding equipment shall be calibrated and adjusted to sow seeds at the proper seeding rate. Equipment shall be operated in a manner to insure complete coverage of the entire area to be seeded. The Engineer shall be notified forty-eight (48) hours prior to beginning the seeding operations. Any gaps between areas of growth greater than eight square feet shall be resown and/or replanted.
1. No-till or Drill Method: Rolling of the Seedbed will not be required with the use of rangeland type grass drill or no-till planters.

## METHOD OF MEASUREMENT

### 901-4.1

REPLACE:

Areas of seeding will not be measured for payment but shall be considered incidental to TOPSOILING.

## **ITEM 905 – TOPSOILING**

DELETE the SUPPLEMENTAL SPECIFICATION and REPLACE with the following:

### **DESCRIPTION**

#### **905-1.1**

ADD:

This item shall consist of a 4" layer of topsoil placed in the area required in the plans. In addition, the surface of all disturbed areas shall be covered with a layer of topsoil, as needed, to facilitate drainage and the growth of turf.

Topsoil shall be supplied by the Contractor from outside the boundaries of the Airport property. It shall be the Contractor's responsibility to locate and obtain the supply, subject to the approval of the Engineer.

### **CONSTRUCTION METHODS**

#### **905-3.4 PLACING TOPSOIL**

Rutted or damaged areas due to construction and other areas graded as a part of this contract shall have topsoil spread as required to facilitate drainage and turfing. Thickness of the topsoil shall be as shown on the plans.

### **METHOD OF MEASUREMENT**

#### **905-4.1, 905-4.2**

DELETE: This section.

ADD:

Topsoiling paid for shall be the number of square yards measured at the locations shown in the plans or as directed by the Engineer. No measurement for payment shall be made for supplying topsoil from offsite source, spreading and excavation associated with this item.

Areas that required topsoiling due to the Contractor rutting and disturbing the areas outside of the limits shown on the plans, and within material storage/staging areas, will not be measured for payment, but shall be considered incidental.

### **BASIS OF PAYMENT**

#### **905-5.1, 905-5.2**

DELETE: These sections.

ADD: The following:

Payment shall be made at the contract unit price per square yard for TOPSOILING. This price shall be full compensation for topsoil stripping, stockpiling and spreading, excavation and for furnishing all materials, labor, equipment, tools and incidentals necessary to complete the item.

**ITEM AR905530      TOPSOILING - PER SQUARE YARD.**  
**ITEM AS905530      TOPSOILING - PER SQUARE YARD.**

**ITEM 908 – MULCHING**  
**(SUPPLEMENTAL SPECIFICATION)**

**DESCRIPTION**

**908-1.1**

ADD:

Mulch shall be placed as designated on the plans or as directed by the Engineer.

**908-2.1 MULCH MATERIAL**

REVISE: First sentence to read:

Material used for mulching shall be (g) Manufactured Hydraulic Mulch.

**CONSTRUCTION METHODS**

**908-3.1 MUCLHING**

REVISE: The first and second paragraphs of the Supplemental Specifications to read:

Within 24 hours from the time seeding has been performed, the seeded or planted area shall be given a covering of hydromulch. This method shall consist of machine application of wood or paper fiber hydraulic mulch at the specified rate using an approved hydraulic seeder. The hydraulic mulch shall be applied as a slurry of 2,000 pounds of mulch and not less than 2,000 gallons of water per acre. The hydraulic mulch slurry shall be agitated a minimum of 5 minutes before application and shall be in continuous agitation during the application. The seeding will not be applied concurrently with this operation. The mulch shall be loose enough to permit air to circulate, but compact enough to reduce erosion. On slopes steeper than 3:1, mulch shall be applied on the same day as seeded or planted.

**METHOD OF MEASUREMENT**

**908-4.1**

REPLACE:

Areas of mulching will not be measured for payment but shall be considered incidental to the contract as part of restoration at the Contractor's cost.

**DIVISION VIII – MISCELLANEOUS**

**ITEM 150510 – ENGINEER'S FIELD OFFICE**

**CHECK SHEET NO. 5**

**150-2.1**

REVISE:

Paragraph (c) to the following:

- (c) Two (2) free-standing four drawer legal size file cabinets with lock and an underwriters' laboratories insulated file device 350 degrees one hour rating.

Paragraph (g) to the following:

- (g) One (1) electric water cooler dispenser capable of dispensing cold and hot water and a supply of water bottles as needed.

Paragraph (i) to the following:

- (i) One (1) dry process copy machine (including maintenance and operating supplies) capable of both collating and reproducing prints up to a half size (11"X 17") and capable of copying field books.

ADD:

- (o) One first-aid cabinet fully equipped.
- (p) One (1) 800 Watt, 0.8 cubic foot microwave oven.
- (q) One (1) Coffee Maker
- (r) Solid waste disposal consisting of two (2) 28-quart waste baskets and an outside trash container of sufficient size to accommodate a weekly provided pick-up service.

**BASIS OF PAYMENT**

**150-3.1**

DELETE the second sentence of the second paragraph of this section.

Payment will be made under:

**ITEM AR150510      ENGINEER'S FIELD OFFICE - PER LUMP SUM.**



## **ITEM 150520 – MOBILIZATION**

### **DESCRIPTION**

#### **150-1.1**

This work shall include all activities and associated costs related to transportation of contractor's personnel, equipment, and operating supplies to the site; establishment of offices, buildings, and other necessary general facilities for the contractor's operations at the site; premiums paid for performance and payment bonds including coinsurance and reinsurance agreements as applicable.

This work includes mobilization required by the contract at the time of notice to proceed. If additional mobilization activities and costs are required during the performance of the contract as a result of added items of work, such costs shall be included in the unit price for the item or items of work added. This does not apply to any approved "time and materials work."

This work also includes all efforts related to restoration of the project site, staging area and haul road as directed in the bidding documents at the conclusion of the job. This activity includes, but is not limited to, incidental grading, seeding and clean-up, as required to restore the project site to original condition.

### **METHOD OF MEASUREMENT**

#### **150-2.1**

This item shall consist of the mobilization of the contractor's forces and equipment necessary for performing the work required under the contract. It does not include mobilization for specific items of work for which payment is provided elsewhere in the contract.

Transportation of any materials incorporated into the permanent works shall not be considered a mobilization item.

All roads, parking lots, fences, structures, etc., shall be protected from damage by equipment during the contract period.

Access shall be as shown on the drawings. Alternate access routes must be approved by the Engineer prior to use. All access routes shall be restored by the contractor to a condition equal to or better than the condition prior to the commencement of work under this contract.

### **BASIS OF PAYMENT**

#### **150-3.1**

This work shall be paid for at the lump sum price for MOBILIZATION. The amount which a Contractor will receive payment for, according to the following schedule, will be limited to six percent of the original contract amount. Should the bid for mobilization exceed six percent, the amount over six percent will not be paid until 90 percent of the adjusted contract value is earned.

- Upon issuance of a notice-to proceed, 50 percent of the pay item will be paid.
- When ten percent of the original contract amount is earned, an additional 10 percent of the pay item will be paid.
- The remaining 40 percent of the pay item will be paid along with any amount bid in excess of six percent of the original contract amount upon final acceptance of the project by the engineer. Final

acceptance includes satisfactory completion of all punch list items in accordance with written instruction from the engineer as well as acceptance of all final documentation.

Nothing herein shall be construed to limit or preclude partial payment for other items as provided for by the contract.

Payment will be made under:

**ITEM AR150520      MOBILIZATION - PER LUMP SUM.**

## **ITEM 156000 – EROSION CONTROL**

### **CHECK SHEET #8**

#### **DESCRIPTION**

##### **156-1.1**

ADD:

All entrances to the construction site shall have a stabilized entrance constructed in accordance with Standard IL-630 of the Natural Resources Conservation Service and the current Illinois Urban Manual.

#### **MATERIALS**

##### **156-2.6 EROSION CONTROL BLANKET**

The Contractor shall have the option to install excelsior blanket or knitted straw mat as specified below:

###### **Excelsior Blanket**

Excelsior blanket shall consist of a machine-produced mat of wood excelsior of 80 percent 6 inches or longer fiber length. The wood from which the excelsior is cut shall be properly cured to achieve adequately curled and barbed fibers.

The blanket shall be of consistent thickness, with the fiber evenly distributed over the entire area of the blanket. The excelsior blanket shall be covered on the top side with a 90-day biodegradable extruded plastic mesh netting having an approximate minimum opening of 16 x 16 mm (5/8 x 5/8") to an approximate maximum opening of 50 x 25 mm (2 x 1"). The netting shall be entwined with the excelsior mat for maximum strength and ease of handling.

The excelsior blanket shall comply with the following specifications:

|   |     |
|---|-----|
| Minimum width, inches, plus/minus 1 inch                    | 24  |
| Minimum weight per square yard, pounds,<br>minus 10 percent | 0.8 |
| Minimum length of roll, feet, approximately                 | 150 |

The excelsior blanket shall be smolder resistant and shall withstand the following test. The excelsior blanket specimen shall not flame or smolder for more than a distance of 12 inches from a spot where a lighted cigarette is placed on the surface of the blanket.

The manufacturer shall furnish a certification with each shipment of blanket stating the number of rolls furnished and that the material complies with the requirements of the Specifications.

###### **Knitted Straw Mat**

Straw mat shall be made of a 100% biodegradable straw, 0.50 lbs/sq. yd., with light weight photodegradable netting on the top side. The mat shall be sewn together with cotton thread. Straw mat shall be North American Green S75BN or approved equal.

The manufacturer shall furnish a certification with each shipment of blanket stating the number of rolls furnished and that the material complies with the requirements of the Specifications.

### **156-2.7 STAKES FOR EROSION CONTROL BLANKET**

The blanket shall be secured with biodegradable stakes acceptable to the Engineer. Metal staples will not be allowed.

### **156-2.9 INLET PROTECTION**

Fabric shall comply with the requirements set forth in Section 2.1.

## **CONSTRUCTION METHODS**

### **156-3.9 EROSION CONTROL BLANKET**

Within 24 hours from the time seeding has been performed, the blanket shall be placed. Prior to placing the mat or blanket, the areas to be covered shall be relatively free of all rocks or clods over 1-½ inches in diameter, and all sticks or other foreign material that will prevent the close contact of the mat or blanket with the seed bed. If as a result of a rain, the prepared seed bed becomes crusted or eroded, or if the eroded places, ruts or depressions exist for any reason, the Contractor will be required to rework the soil until it is smooth and to reseed such areas which are reworked. After the area has been properly shaped, fertilized and seeded, the mat or blanket shall be laid out flat, evenly and smoothly, without stretching the material.

The blanket shall be laid in accordance with the manufacturer's recommendations. All ends and edges shall be tightly butted together.

The blanket shall be held in place by means of stakes. The stakes shall be driven at a 90-degree angle to the plane of the soil. Stakes shall be spaced not more than 3 feet apart in 3 rows for each strip, with a row along each edge and one row alternately spaced in the middle. All ends shall be fastened by stakes spaced 6 inches apart across the width.

Once turf growth has been established, all non-biodegradable components shall be removed by the contractor. This would include any item that would interfere with the mowing of the new turf or which might damage mowing equipment. Furthermore, the contractor shall fill with topsoil or smoothly grade any ruts or gullies that developed during the turf grow in period to the satisfaction of the Owner. This work shall be considered incidental to this item.

### **156-3.10 INLET PROTECTION**

The inlet protection shall be constructed to the detail shown on the construction plans

## **METHOD OF MEASUREMENT**

### **156-4.4**

Erosion control blanket shall be the number of square yards satisfactorily completed.

### **156-4.5**

The number of inlet protections paid for shall be the number of temporary inlet protections shown on the plans or ordered by the Resident Engineer used to control erosion.

## **BASIS OF PAYMENT**

### **156-5.1**

ADD:

If, upon delivery and incorporation of any materials, the Contractor has failed to provide the necessary submittals as required by Sections 30-18, 40-01, 40-03 and 40-11 of the Standard and Special Provisions, the pay item shall not be included on the Construction Progress Payment report until such submittals have been furnished.

Payment will be made under:

|                      |   |
|----------------------|---|
| <b>ITEM AR156520</b> | <b>INLET PROTECTION - PER EACH.</b>               |
| <b>ITEM AR156531</b> | <b>EROSION CONTROL BLANKET - PER SQUARE YARD.</b> |
| <b>ITEM AS156531</b> | <b>EROSION CONTROL BLANKET - PER SQUARE YARD.</b> |

## **ITEM 800055 – BITUMINOUS MILLING PLACEMENT**

### **DESCRIPTION**

#### **800055-1.1**

This work shall consist of the incorporation of the bituminous pavement millings into the proposed subgrade areas as shown on the typical sections and as follows:

### **MATERIALS**

#### **800055-2.1**

The bituminous pavement millings shall be incorporated into the subgrade for the proposed pavement at the locations shown on the plans.

### **CONSTRUCTION METHODS**

#### **800055-3.1**

The bituminous pavement millings shall be incorporated into the proposed subgrade areas in 6" maximum lifts and compacted with a vibratory roller to provide a uniform, stable and non-yielding base to the satisfaction of the Engineer.

#### **800055-3.2**

Any temporary stockpiling necessary in order to properly incorporate the bituminous pavement millings into the proposed subgrade areas shall be considered incidental to the work required under this pay item.

#### **800055-3.3**

Vibratory roller equipment shall meet IDOT Standard Specifications for Road and Bridge Construction Article 1101.01.

### **METHOD OF MEASUREMENT**

#### **800055-4.1**

The quantity of the bituminous milling placement shall be measured by the number of cubic yards properly incorporated in-place into the subgrade areas, satisfactorily placed, compacted and graded to the lines and grades shown on the plans or as directed by the Engineer.

### **BASIS OF PAYMENT**

#### **800055-5.1**

Payment shall be made at the contract unit price for Bituminous Milling Placement for the transportation, complete incorporation, grading and compaction of the existing bituminous millings into the proposed subgrade areas, and shall include all labor, tools, equipment and incidentals necessary to complete this item of work. Any work grading and recompacting of existing subgrade prior incorporating the material grindings as well as bringing the subgrade to the proper grade shall not be paid for separately but shall be considered incidental to Bituminous Milling Placement.

Payment will be made under:

**ITEM AR800055 BITUMINOUS MILLING PLACEMENT - PER CUBIC YARD.**

**IDOT DIVISION OF AERONAUTICS POLICY MEMORANDA**



State of Illinois  
Department of Transportation  
Division of Aeronautics

POLICY MEMORANDUM

January 1, 2004

Springfield

Number: 87-2

TO: CONSULTING ENGINEERS

SUBJECT: DENSITY ACCEPTANCE OF BITUMINOUS PAVEMENTS

1. Introduction

This Policy Memorandum deals with the implementation of the Bituminous Density Quality Assurance specifications as a revision to the Standard Specification for Construction of Airports, January 1985. These revisions are to Item 201 Bituminous Base Course, and Item 401 Bituminous Surface Course.

II. Sampling

After completion of compaction and the pavement has reached ambient temperature, the paved area shall be divided into Sublots of 500 tons per type of mix. One core sample (2 cores per sample) shall be taken from each Sublot. The longitudinal and transverse location for each sample shall be determined by use of a random number "Deck" provided by the Division. No core shall be taken closer than two (2) feet from the edge of the mat. A core extraction device as illustrated by the attachment is recommended. All cores are to be taken by the contractor under the supervision and remain in the possession of the engineer. It is imperative that the Engineer and the contractor realize that the cores are "Money" and that improper coring, extraction, shipping and/or testing can be costly.

One mix sample per 1000 tons of mix laid shall be taken for Extraction, Maximum Specific Gravity ( $G_{mm}$ ) and Air Void tests. The mix samples shall be sampled by the contractor and split in half.

The Resident Engineer shall randomly designate and send the split samples to an independent laboratory for testing. The laboratory will be designated by the Division of Aeronautics. The frequency of testing split samples shall be 1 per 5000 tons. Higher frequencies may be necessary if the contractor's tests, and/or mix quality control are inconsistent.



### III. Testing

All cores shall be tested for Bulk Specific Gravity ( $G_{sb}$ ) in accordance with ASTM D2726 using Procedure 9.1, "For Specimens That Contain Moisture". The Theoretical Maximum Gravity ( $G_{mm}$ ) shall be determined according to ASTM D2041, Procedure 7. From these tests the in-place air voids of the compacted pavement are calculated according to ASTM D3203 for "dense bituminous paving mixtures". Selection of the proper  $G_{mm}$  shall be based on a running average of four (4) tests per Lot.

- Eg. Lot 1 - Use the average of the two (2) tests for Lot 1.  
Lot 2 - Use the average of the four (4) tests from Lots 1 and 2.  
Lot 3 - Use the average of the four (4) tests from Lots 2 and 3.

NOTE: When more than four (4) Sublots are used, still use a running average of four (4) tests per Lot.

### IV. Acceptance Calculations

The first step in calculating the quantities for pay is to calculate the Mean ( $\bar{x}$ ) and the Standard Deviation (S) of the Sublot tests. From this data the Lot samples should first be tested for outliers. After consideration for outliers, the Percent Within Tolerance (PWT) and the Percent Within Limits (PWL) are calculated to determine the final pay quantities for the Lot.

#### EXAMPLE

##### 1. Test Data

Lot Quantity = 2000 tons  
Sublot Test 1 = 4.35 % Air  
Sublot Test 2 = 3.96 % Air  
Sublot Test 3 = 6.75 % Air  
Sublot Test 4 = 6.25 % Air

##### 2. Calculating the Mean and Standard Deviation

| Sublot | $\bar{x}$   | $(\bar{x} - \bar{\bar{x}})$ | $(\bar{x} - \bar{\bar{x}})^2$ |
|--------|-------------|-----------------------------|-------------------------------|
| 1      | 4.35        | - 0.978                     | 0.956                         |
| 2      | 3.96        | - 1.368                     | 1.871                         |
| 3      | 6.75        | 1.422                       | 2.022                         |
| 4      | <u>6.25</u> | 0.922                       | <u>0.850</u>                  |
| Sum =  | 21.31       |                             | 5.699                         |

$$N = 4$$

$$\text{Mean}(\bar{\bar{x}}) = 5.328$$

$$\text{Variance } (S)^2 = \frac{\text{Sum}(\bar{x} - \bar{x})^2}{3} = \frac{5.699}{3} = 1.900$$

$$\text{Standard Deviation } S = \sqrt{1.900} = 1.378$$

### 3. Test For Outliers

Check for Critical "T" Values

$$T = \frac{|(x_1 - \bar{x})|}{S} = \frac{|3.96 - 5.328|}{1.378} = 0.99$$

\* Difference between the suspect test value ( $x_1$ ) and the Mean ( $\bar{x}$ ).

If the T value exceeds the critical "T" Value in the table below and no assignable cause can be determined for the outlier, discard the suspected test measurement and obtain another random sample from the Lot in question. If the new test exceeds the Mean ( $\bar{x}$ ) in the same direction from the Mean as the suspected test, recalculate the T value including all tests (original test, suspected test, and new test) for an outlier and for computing final payment.

#### TABLE OF CRITICAL "T" VALUES

| Number of observations<br>(N) | Critical "T" Value<br><u>5% Significance Level</u> |
|-------------------------------|--|
| 3                             | 1.15   |
| 4                             | 1.46   |
| 5                             | 1.67   |
| 6                             | 1.82   |
| 7                             | 1.94   |
| 8                             | 2.03   |
| 9                             | 2.11   |
| 10                            | 2.18   |
| 11                            | 2.23   |
| 12                            | 2.29   |

Based on the above table, the "T" value of 0.99 does not exceed the Critical "T" Value of 1.46 for N = 4. Therefore, the value (3.96) is not an outlier and shall be used in calculating the Lot payment.

### 4. Calculation of Lot Payment

To calculate the Lot Payment use the Acceptance Criteria as outlined under Item 201-4.13(c) or Item 401-4.13(c).

$$Q_L = \frac{(\bar{x} - 1)}{S} = \frac{5.328 - 1}{1.378} = 3.141$$

$$Q_u = \frac{(7 - \bar{X})}{S} = \frac{7-5.328}{1.378} = 1.213$$

From this data the Percentage Within Tolerance (PWT) for both the lower and upper tolerance limits is determined by Table 8 of the specifications for the number (N) of samples tested.

$$\begin{aligned} \text{Eq. PWT (lower)} &= 99.0\% \\ \text{PWT (upper)} &= 90.4\% \end{aligned}$$

We now calculate the Percent Within Limits (PWL) for the Lot.

$$\begin{aligned} \text{PWL} &= [\text{PWT (lower)}] + [\text{PWT (upper)}] - 100 \\ \text{PWL} &= (99.0 + 90.4) - 100 = 89.4\% \end{aligned}$$

Using Table 7, the % Adjustment in Lot Quantity is:

$$\begin{aligned} \% \text{ Adjustment} &= 0.5 \text{ PWL} + 55.0 \\ \% \text{ Adjustment} &= 0.5 (89.4) + 55.0 \\ \% \text{ Adjustment} &= 99.7 \end{aligned}$$

$$\begin{aligned} \text{Adjusted Quantities} &= \% \text{ Adjustment} \times \text{Lot Quantities} \\ \text{Adjusted Quantities} &= .997 \times 2000 \text{ tons} \\ \text{Adjusted Quantities} &= 1994 \text{ tons} \end{aligned}$$

## 5. Resampling and Retesting

Under the specifications the contractor has the right to request the resampling and retesting of a complete Lot. This privilege is only allowed once for each Lot and must be requested in writing by the contractor within 48 hours of receiving the official report from the Engineer.

## 6. Reporting

After completion of the tests for each Lot, the Engineer shall complete the necessary calculations for final adjustment in quantities on the Form AER M-1 and have both the Engineer and the Contractor sign the report for copying to both the FAA and IDOA.

Steven J. Long, P.E.  
Acting Chief Engineer

Supersedes Policy Memorandum 87-2, dated January 1, 1999.

State of Illinois  
Department of Transportation  
Division of Aeronautics

**POLICY MEMORANDUM**

January 1, 2004

Springfield

Number: **87-4**

TO: CONSULTING ENGINEERS

SUBJECT: DETERMINATION OF BULK SPECIFIC GRAVITY (d)  
OF COMPACTED BITUMINOUS MIXES

- A. SCOPE. This method of test covers the determination of the bulk specific gravity and the percent air, of core samples from compacted bituminous mixtures using a saturated surface-dry procedure.
- B. DEFINITIONS.
1. Bulk Specific Gravity ( $G_{sb}$ ) or density is the weight per unit volume (gms/cc) of a mixture in its existing state of consolidation. The volume measurement for this specific gravity will include the volume of all the aggregate, asphalt, and air spaces (voids) in the aggregate particles and between the aggregate particles.
  2. Theoretical Maximum Specific Gravity ( $G_{mm}$ ) ASTM 2041 is the weight per unit volume (grams/cc) of a mixture assuming complete consolidation; i.e., all the air spaces (voids) between the aggregate particles are eliminated.
  3. Percent Density is a measure of the degree of compaction in relation to the Theoretical Maximum Specific Gravity.
  4. Percent Air is a measure of the air voids in the compacted pavement.
- C. APPARATUS.
1. Balance - The balance shall be accurate to 0.1 gm throughout the operating range. It may be mechanical or electrical and shall be equipped with a suitable suspension apparatus and holder to permit weighing of the core in water while suspended from the balance. If the balance is a beam type, it shall be set up so that the core is placed in the basket that is suspended from the zero (0) end of the balance arm.
  2. Water bath - The container for immersing the core in water while suspended from the balance shall be equipped with an overflow outlet for maintaining a constant water level. This water bath should be large enough to handle full-depth cores. When testing several cores at the same time, a dish-pan, sink or suitable container may be used for soaking.

#### D. PROCEDURE.

1. Prior to testing, cores shall be sorted on a flat surface in a cool place. The sample(s) shall be brushed with a wire brush and/or other suitable means, to remove all loose and/or foreign materials, such as seal coat, tack coat, foundation material, soil, paper, and foil, prior to testing.
2. If a core contains binder and surface or multiple lifts, the lifts shall be separated. This may be done in the following manner:
  - a. Mark the separation line between the two lifts.
  - b. Place the core in a freezer for 20-25 minutes.
  - c. Place a 2 or 3-inch wide chisel on the separation line and tap with a hammer. Rotate the core and continue this process until the core separates. Brush loose pieces with a wire brush if needed.
  - d. Allow 2-3 hours for the core to return to ambient temperature before proceeding.
3. Prepare the water baths for soaking and weighing with water at 77<sup>o</sup> F. Water baths should be maintained at this temperature throughout testing. Saturate the cores by submerging in the water for a minimum of 20 minutes.
4. With the balance and water bath properly assembled and zeroed, suspend the sample from the balance and submerge it in the water bath. The core must be placed with the original top and bottom in a vertical position. If necessary, add sufficient water to bring the water level up to the overflow outlet. Permit any excess to overflow. Read and record the Saturated Submerged Weight. Designate this weight as (C).
5. Remove the core from the water bath and blot the excess water from the surface of the core with an absorbent cloth or other suitable material. This must be done quickly to prevent the internal water from escaping.
6. Place the core on the balance and read and record the Saturated Surface-dry Weight in air. Designate this weight as (B).
7. Place the core in a tared pan and dry in an oven. When the core is dry, (less than 0.5 gm loss in one hour) record the weight and subtract the pan weight. Designate this weight as (A).

8. The following calculation is used to determine the Bulk Specific Gravity of the core.

$$G_{sb} = \frac{A}{B-C}$$

$G_{sb}$  = Bulk Specific Gravity  
A = Oven dry weight  
B = Saturated surface-dry weight  
C = Saturated submerged weight

- E. PERCENT DENSITY. The following calculation is used to determine the percent density of the core:

$$\% \text{ Density} = 100 \times \frac{G_{sb}}{G_{mm}}$$

$G_{sb}$  = Bulk Specific Gravity  
 $G_{mm}$  = Theoretical Maximum Gravity\*

Note: The Theoretical Maximum Gravity ( $G_{mm}$ ) is determined from the mix design until current Vacuum Pycnometer test are available.

- F. PERCENT AIR. To calculate the percent air, use the following formula:

$$\% \text{ Air} = 100 - \% \text{ Density}$$

- G. WEIGHT PER SQUARE YARD OF COMPACTED MIXTURE. The actual weight per square yard of a compacted mixture can be calculated by using the Bulk Specific Gravity ( $G_{sb}$ ). The volume of a square yard of pavement one (1) inch thick is 0.75 cubic foot. Taking the weight of a cubic foot of water as 62.37 pounds, one square yard of compacted material, one (1) inch thick weighs:

$$\text{Pounds Per Sq. Yd. (1" thick)} = 0.75 \times 62.37 \times G_{sb}$$

Steven J. Long, P.E.  
Acting Chief Engineer

Supersedes Policy Memorandum 87-4 effective January 1, 1994.

**Illinois Department of Transportation  
Division of Aeronautics  
Materials Section**

---

POLICY MEMORANDUM

January 1, 2004

Springfield

Number 95-1

TO: CONSULTING ENGINEERS

SUBJECT: FIELD TEST PROCEDURES FOR MIXER PERFORMANCE AND CONCRETE UNIFORMITY TESTS

I. SCOPE

These methods describe the procedures for obtaining and testing representative samples of fresh concrete in the field to determine the consistency and mixer efficiency of stationary mixers at different mixing time periods.

The concrete produced during the mixing time investigation and not used in the test program may be incorporated in the project provided it conforms to the Standard Specifications for Construction of Airports.

A maximum of two mixing times shall be considered by the Department.

The contractor shall provide all of the necessary equipment and personnel to perform the tests and the Department will observe the testing.

II. APPARATUS REQUIRED

- a. Three (3) air meters conforming to the requirements of ASTM C231 or ASTM C173.
- b. Three (3) slump cone kits conforming to ASTM C143.
- c. One (1) No. 4 sieve having a minimum screen area of 2 sq. ft. The sieve shall conform to the requirements of AASHTO M92.
- d. One (1) platform scale graduated in tenths of a pound having a capacity sufficient to perform tests herein after specified.
- e. One (1) hydraulic or mechanical testing machine conforming to the requirements of the specified testing method for the project (ASTM C39 or ASTM C78).

- f. Flexural strength specimen forms as required. The forms shall be nominally 6x6x30 inch. Means shall be provided for securing the base plate firmly to the mold. The inside surfaces of the mold shall be smooth and free from holes, indentations, or ridges. The sides, bottom, and ends shall be at right angles and shall be straight and true so that the specimens will not be warped. Maximum variation from the nominal cross-section shall not exceed 1/8 inch. The assembled mold and base plate shall be lightly coated with mineral oil or other approved form release oil before use. Compressive strength specimens shall be 6x12 inch and prepared in accordance with ASTM C31.
- g. Sufficient water tanks for curing specimens as required by ASTM C31.
- h. Small tools such as shovels, scoops, buckets, etc., and water shall be furnished, as required.

### III. MIXER

The mixer for which the mixing time is to be evaluated shall conform to the applicable sections of the Standard Specifications for Construction of Airports.

### IV. MIXING TIME REQUIREMENTS

The minimum mixing time to be evaluated shall be specified in the Standard Specifications for Construction of Airports.

### V. PROCEDURE

A minimum of ten (10) batches per drum shall be tested and evaluated for each original reduced mixing time request. Check tests shall consist of three (3) batches.

If the request is for a new, twin drum mixer, ten (10) batches shall be tested for the first drum and three (3) for the second drum.

Check tests are required if the mixer is moved, major maintenance performed, or if the source or type of aggregate has changed. A minimum frequency of check tests shall be one (1) per year.

#### a. Mixing Time

The mixing time and batch size to be evaluated shall be proposed by the contractor. The mixing time shall begin when all solid materials are in the mixing drum. The mixer timer shall register or indicate accurately the mixing time and a tolerance of two (2) seconds will be permitted.

If approved by the Engineer, minor adjustments in admixture dosage and water content will be allowed to account for weather conditions, provided that the maximum w/c ratio is not exceeded.



b. Sampling

At the conclusion of the mixing cycle, the mixer shall be discharged and appropriate samples obtained from the first, middle, and last third portions of the batch. Any appropriate method may be used, provided the samples are representative of the respective portions and not the very ends of the batch.

As an alternative, the mixer may be stopped, and the samples removed by any suitable means at equally spaced points from the front to the back of the drum.

c. Testing.

1. Each third portion of the batch shall be tested simultaneously. The Contractor shall provide sufficient personnel to meet this requirement. The Contractor personnel performing the testing shall be Level I PCC Technicians or Concrete Testers. However, a Level I PCC Technician shall be provided to supervise the Concrete Tester.
2. From each third portion of the batch the mass (weight) of the concrete in one air meter measuring bowl shall be determined.
3. The air content of each third portion of the batch shall be determined according to ASTM C231 or ASTM C173. The air content shall be the arithmetic average of two (2) tests from each third portion of the batch.
4. The slump of each third portion of the batch shall be determined according to ASTM C143. The slump shall be the arithmetic average of two (2) tests from each third portion of the batch.
5. Flexural strength specimen(s) (two (2) breaks required) or two (2) compressive strength specimens shall be prepared from each third portion of the batch according to ASTM C31. Flexural strength specimen(s) (two (2) breaks required) shall be tested according to ASTM C78 at seven (7) days of age. Compressive strength specimens shall be tested according to ASTM C39 at seven (7) days of age.
6. The contents from the weighed air meter measuring bowl shall be washed over a No. 4 sieve. Shake as much water as possible from the material retained on the sieve and then weigh the material. The coarse aggregate content (portion of mass (weight) of sample retained on a No. 4 sieve), expressed as a percent, shall be calculated.

VI. CONCRETE UNIFORMITY REQUIREMENTS

- a. Test results from each third portion of the batch shall be compared to one another according to Table 1. Each batch shall be evaluated individually.
- b. Mixer performance tests consisting of ten (10) batches: If more than seven (7) tests out of the total or more than three (3) in any one criteria are not in compliance with the uniformity requirements (air content, slump, coarse aggregate content, and strength), a reduced mixing time will not be granted.
- c. Mixer performance tests consisting of three (3) batches: If more than three (3) tests out of the total are not in compliance with the uniformity requirements, a full ten (10) batch investigation shall be required.

**Table 1.** Requirements for Uniformity of Concrete

| Test  | Requirement (Note 1) |
|---|----------------------|
| Air Content, percent by volume of concrete  | 1.0 (Note 2)         |
| Slump, inch   | 1.0 (Note 3)         |
| Coarse aggregate content, portion by weight of each sample retained on the No. 4 sieve, percent   | 6.0                  |
| Average flexural or compressive strength at 7 days for each sample based on average strength of all comparative test specimens, percent | 7.5 (Note 4)         |

Note 1. Expressed as maximum permissible difference in results of tests of samples taken from three locations in the concrete batch.

Note 2. The average air content sample shall be the arithmetic average of two (2) tests.

Note 3. The average slump sample shall be the arithmetic average of two (2) tests.

Note 4. The average flexural strength of each sample shall be the arithmetic average of two (2) beam breaks. The average compressive strength of each sample shall be the arithmetic average of two (2) cylinder breaks.

Steven J. Long, P.E.  
Acting Chief Engineer

Supersedes Policy Memorandum 95-1 dated January 1, 1995

State of Illinois  
Department of Transportation  
Division of Aeronautics

---

**POLICY MEMORANDUM**

January 1, 2004

Springfield

Number 96-1

TO: CONSULTING ENGINEERS

SUBJECT: ITEM 610, STRUCTURAL PORTLAND CEMENT CONCRETE:  
JOB MIX FORMULA APPROVAL & PRODUCTION TESTING.

- I. This policy memorandum addresses the Job Mix Formula (JMF) approval process and production testing requirements when Item 610 is specified for an airport construction contract.
- II. PROCESS
  - a. The contractor may submit a mix design with recent substantiating test data or he may submit a mix design generated by the Illinois Division of Highways with recent substantiating test data for approval consideration. The mix design should be submitted to the Resident Engineer.
  - b. The Resident Engineer should verify that each component of the proposed mix meets the requirements set forth under Item 610 of the *Standard Specifications for Construction of Airports* and/or the contract special provisions.
  - c. The mix design should also indicate the following information:
    1. The name, address, and producer/supplier number for the concrete.
    2. The source, producer/supplier number, gradation, quality, and SSD weight for the proposed coarse and fine aggregates.
    3. The source, producer/supplier number, type, and weight of the proposed flyash and/or cement.
    4. The source, producer/supplier number, dosage rate or dosage of all admixtures.
  - d. After completion of Items b and c above, the mix with substantiating test data shall be forwarded to the Division of Aeronautics for approval. Once the mix has been approved the production testing shall be at the rate in Section III as specified herein.

### III. PRODUCTION TESTING

- a. One set of cylinders or beams, depending on the strength specified, shall be cast for acceptance testing for each day the mix is used. In addition, at least one slump and one air test shall be conducted for each day the mix is used. If more than 100 c.y. of the mix is placed in a given day, additional tests at a frequency of 1 per 100 c.y. shall be taken for strength, slump, and air. In **no** case will concrete with a slump greater than 4 inches be allowed for use on the project.
- b. If the total proposed amount of Item 610 Structural Portland Cement Concrete as calculated by the Resident Engineer is less than 50 c.y. for the entire project, the following shall apply:
  - The Resident Engineer shall provide a copy of the calculations of the quantity of Item 610 to the Division of Aeronautics.
  - One set of cylinders or beams, depending the strength specified, shall be cast for acceptance testing.
  - One air content and one slump test shall be taken for acceptance testing.
  - In no case will concrete with a slump greater than 4 inches be allowed for use on the project.
- c. The Resident Engineer shall collect actual batch weight tickets for every batch of Item 610 concrete used for the project. The actual batch weight tickets shall be kept with the project records and shall be available upon request of the Department of Transportation.

Steven J. Long, P.E.  
Acting Chief Engineer

Supersedes Policy Memorandum 96-1 dated January 1, 2003

State of Illinois  
Department of Transportation  
Division of Aeronautics

---

**POLICY MEMORANDUM**

April 1, 2004

Springfield, Illinois

Number 96-2

TO: CONTRACTORS

SUBJECT: REQUIREMENTS FOR LABORATORY, TESTING, QUALITY CONTROL, AND PAVING OF BITUMINOUS CONCRETE MIXTURES

I. SCOPE

The purpose of this policy memorandum is to define to the Contractor the requirements concerning the laboratory, testing, Quality Control, and paving of bituminous concrete mixtures. References are made to the most recent issue of the Standard Specifications for Construction of Airports and to American Society for Testing and Materials (ASTM) testing methods. The Quality Assurance and acceptance responsibilities of the Engineer are described in Policy Memorandum 96-3.

II. LABORATORY

The Contractor shall provide a laboratory located at the plant and approved by the Illinois Division of Aeronautics (IDA). The laboratory shall be of sufficient size and be furnished with the necessary equipment and supplies for adequately and safely performing the Contractor's Quality Control testing as well as the Engineer's acceptance testing as described in Policy Memorandum 96-3.

The effective working area of the laboratory shall be a minimum of 600 square feet with a ceiling height of not less than 7.5 feet. Lighting shall be adequate to illuminate all working areas. It shall be equipped with heating and air conditioning units to maintain a temperature of 70° F ± 5° F.

The laboratory shall have equipment that is in good working order and that meets the requirements set forth in the following ASTM test standards:

|             |   |
|-------------|---|
| ASTM C 117  | Test Method for Materials Finer than 75 µm (No. 200) Sieve in Mineral Aggregates by Washing |
| ASTM C 136  | Sieve or Screen Analysis of Fine and Coarse Aggregate                                       |
| ASTM C 566  | Total Moisture Content of Aggregate by Drying   |
| ASTM D 75   | Sampling Aggregates   |
| ASTM D 1559 | Resistance to Plastic Flow of Bituminous Mixtures Using Marshall Apparatus                  |
| ASTM D 2041 | Theoretical Maximum Specific Gravity and Density of Bituminous Paving Mixtures              |
| ASTM D 2172 | Quantitative Extraction of Bitumen from Bituminous Paving Mixtures                          |
| IDOT        | Ignition Method for Determining Asphalt Content   |

|             |  |
|-------------|--|
| ASTM D 2726 | Bulk Specific Gravity of Compacted Bituminous Mixtures using Saturated Surface Dry Specimens |
| ASTM D 3203 | Percent Air Voids in Compacted Dense and Open Bituminous Paving Mixtures                     |
| ASTM D 2950 | Density of Bituminous Concrete in Place by Nuclear Method                                    |
| ASTM D 4125 | Asphalt Content of Bituminous Mixtures by Nuclear Method                                     |
| ASTM C 127  | Standard Test Method for Specific Gravity and Absorption of Coarse Aggregate                 |
| ASTM C 128  | Standard Test Method for Specific Gravity and Absorption of Fine Aggregate                   |

The Asphalt Institute's *Mix Design Methods for Asphalt Concrete Manual No. 2 (MS-2)*

The laboratory and equipment furnished by the Contractor shall be properly calibrated and maintained. The Contractor shall maintain a record of calibration results at the laboratory. The Engineer may inspect measuring and testing devices at any time to confirm both calibration and condition. If the Resident Engineer determines that the equipment is not within the limits of dimensions or calibration described in the appropriate test method, the Engineer may stop production until corrective action is taken. If laboratory equipment becomes inoperable or insufficient to keep up with mix production testing, the Contractor shall cease mix production until adequate and/or sufficient equipment is provided.

### III. MIX DESIGN TESTING

The Mix Design letter with accompanying approved Job Mix Formula (JMF) will be issued by the IDA Engineer of Materials. The Contractor will be required to perform the sampling and laboratory testing for the mix design according to the following guidelines: [Note: A testing summary chart can be found in Appendix B.]

- A. Material sources meeting the requirements of the contract shall be submitted in writing at or before the preconstruction conference in the following format:
1. To: Steve Long, Acting Chief Engineer  
Attn: Mike Wilhelm, Engineer of Materials  
Division of Aeronautics  
One Langhorne Bond Drive  
Springfield, Illinois 62707
  2. Producer name and location of each aggregate
  3. Producer # for each aggregate (producers are assigned this number by IDOT Central Bureau of Materials)
  4. Material code for each aggregate
  5. Gradation and Quality designation for each aggregate (i.e. CA-11, etc.)
  6. Producer, producer #, and specific gravities of asphalt cement

7. Performance Graded Binder 64-22 shall be used unless otherwise approved by the IDA Engineer of Materials.
- B. The Contractor shall obtain representative samples of each aggregate. The individual obtaining samples shall have successfully completed the IDOT Aggregate Technician Course under the IDOT Division of Highways, QC/QA program. The sample size shall be approximately 280 lb. for each coarse aggregate, 150 lb. for each fine aggregate, 15 lb. for the mineral filler or collected dust, and 1 gallon of asphalt cement.
- C. The Contractor shall split the aggregate samples down and run gradation tests according to the testing methods referenced in Appendix B of this memorandum. The remaining aggregates shall be set aside for further Mix Design testing. The results of the gradation tests, along with the most recent stockpile gradations, shall be reported by fax to the IDA Engineer of Materials for engineering evaluation. If the gradation results are deemed non-representative or in any way unacceptable, new representative samples may be required at the direction of the IDA Engineer of Materials. Only composite gradations are required under this procedure.
- D. Based on the accepted gradation results, the IDA Engineer of Materials will return blend percentages for each aggregate to be used in determining the Job Mix Formula. In addition, the Engineer of Materials shall specify directions for mix temperature and asphalt content(s), and number of Marshall Blows for preparation of the Marshall Mix Design.
- E. After receipt of the information from step D., the Contractor shall make specimens and perform the following tests for each asphalt content specified by the Engineer. [Note: Actual test designation is referenced in Appendix B of this memorandum.]

**Marshall Tests**

Maximum Specific Gravity -- " $G_{mm}$ "  
Bulk Specific Gravity -- " $G_{sb}$ "  
Marshall Stability  
Marshall Flow  
% air voids

- F. All technicians who will be performing mix design testing and plant sampling/testing shall have successfully completed the IDOT Division of Highways Bituminous Concrete Level 1 Technician Course "Bituminous Concrete Testing". The Contractor may also provide a Gradation Technician who has successfully completed the Department's "Gradation Technician Course" to run gradation tests only under the supervision of a Bituminous Concrete Level 2 Technician.
- G. The mix design testing results shall be reported to the IDA Engineer of Materials.
- H. The IDA Engineer of Materials shall generate and issue the approved Mix Design with the Job Mix Formula (JMF) for the manufacture of bituminous mixtures using the Contractor's testing results.
- I. The above procedure, III. MIX DESIGN TESTING, shall be repeated for each change in source or gradation of materials.

#### IV. MIX PRODUCTION TESTING

The Quality Control of the manufacture and placement of bituminous mixtures is the responsibility of the Contractor. The Contractor shall perform or have performed the inspection and tests required to assure conformance to contract requirements. Quality Control includes the recognition of defects and their immediate correction. This may require increased testing, communication of test results to the plant or the job site, modification of operations, suspension of bituminous mix production, rejection of material, or other actions as appropriate. The Resident Engineer shall be immediately notified of any failing tests and subsequent remedial action. Form AER M-14 shall be reported to the Engineer and Resident Engineer no later than the start of the next work day. In addition, AER M-9 and M-11 shall be given to the Resident Engineer daily (Appendix A). The Contractor shall provide a Quality Control (QC) Manager who will have overall responsibility and authority for Quality Control. This individual shall have successfully completed the IDOT Division of Highways Bituminous Concrete Level II Technician Course "Bituminous Concrete Proportioning and Mixture Evaluation." In addition to the QC Manager, the Contractor shall provide sufficient and qualified personnel to perform the required visual inspections, sampling, testing, and documentation in a timely manner. The following plant tests and documentation shall be required: [Note: A summary chart of testing can be found in Appendix B.]

- A. Minimum of one (1) complete hot bin or combined belt analysis per day of production or every 1,000 tons, whichever is more frequent.
- B. Minimum one (1) stockpile gradation for each aggregate and/or mineral filler per week when a batch plant is utilized. Minimum of one (1) gradation for each aggregate per day of production or every 1,000 tons when a drum plant is used, and one (1) gradation per week for mineral filler when a drum plant is used.
- C. A certification from the quarry for the total quantity of aggregate listing the source, gradation type, and quality designation of aggregate shipped.
- D. Original asphalt shipping tickets listing the source and type of asphalt shipped.
- E. One mix sample per 1,000 tons of mix. The sample shall be split in half. One half shall be reserved for testing by the Engineer. The other half shall be split and tested by the Contractor for Marshall, Extraction, Gradation, Maximum Specific Gravity, and Air Void tests in accordance with the appropriate ASTM standard referenced herein. [See Appendix B.]
  - 1. In place of the extraction test, the Contractor may provide the asphalt content by a calibrated ignition oven test using the IDOT Division of Highways' latest procedure. The correction (calibration) factor for aggregate type shall be clearly indicated in the reported test results.

From these tests, the Contractor shall interpret the test data and make necessary adjustments to the production process in order to comply with the approved JMF.



V. QUALITY CONTROL

A. Control Limits

Target values shall be determined from the approved JMF. The target values shall be plotted on the control charts within the following control limits:

| <u>Parameter</u> | <u>Control Limits</u>  |                         |
|------------------|------------------------|-------------------------|
|                  | <u>Individual Test</u> | <u>Moving Avg. of 4</u> |
| % Passing        |                        |                         |
| 1/2 in.          | ± 7 %                  | ± 4 %                   |
| No. 4            | ± 7 %                  | ± 4 %                   |
| No. 8            | ± 5 %                  | ± 3 %                   |
| No. 30           | ± 4 %                  | ± 2.5 %                 |
| No. 200 *        | ± 2.0 % *              | ± 1.0 % *               |
| Asphalt Content  | ± 0.45 %               | ± 0.2 %                 |

\* No. 200 material percents shall be based on washed samples. Dry sieve gradations (-200) shall be adjusted based on anticipated degradation in the mixing process.

B. Control Charts

Standardized control charts shall be maintained by the Contractor at the field laboratory. The control charts shall be displayed and be accessible at the field laboratory at all times for review by the Engineer. The individual required test results obtained by the Contractor shall be recorded on the control chart immediately upon completion of a test, but no later than 24 hours after sampling. Only the required plant tests and resamples shall be recorded on the control chart. Any additional testing of check samples may be used for controlling the Contractor's processes, but shall be documented in the plant diary.

The results of assurance tests performed by the Engineer will be posted as soon as available.

The following parameters shall be recorded on control charts:

1. Combined Gradation of Hot-Bin or Combined Belt Aggregate Samples (Drier Drum). (% Passing 1/2 in., No. 4., No. 8, No. 30, and No. 200 Sieves)
2. Asphalt Content
3. Bulk Specific Gravity of Marshall Sample
4. Maximum Specific Gravity of Mixture

C. Corrective Action for Required Plant Tests

Control Limits for each required parameter, both individual tests and the average of four tests, shall be exhibited on control charts. Test results shall be posted within the time limits previously outlined.

1. Individual Test Result. When an individual test result exceeds its control limit, the Contractor shall immediately resample and retest. If at the end of the day no material remains from which to resample, the first sample taken the following day shall serve as the resample as well as the first sample of the day. This result shall be recorded as a retest. If the retest passes, the Contractor may continue the required plant test frequency. Additional check samples should be taken to verify mix compliance.
2. Asphalt Content. If the retest for asphalt content exceeds control limits, mix production shall cease and immediate corrective action shall be instituted by the Contractor. After corrective action, mix production shall be restarted, the mix production shall be stabilized, and the Contractor shall immediately resample and retest. Mix production may continue when approved by the Engineer. The corrective action shall be documented.

Inability to control mix production is cause for the Engineer to stop the operation until the Contractor completes the investigation identifying the problems causing failing test results.

3. Combined Aggregate/Hot-Bin. For combined aggregate/hot-bin retest failures, immediate corrective action shall be instituted by the Contractor. After corrective action, the Contractor shall immediately resample and retest. The corrective action shall be documented.
  - a. Moving Average. When the moving average values trend toward the moving average control limits, the Contractor shall take corrective action and increase the sampling and testing frequency. The corrective action shall be documented.

The Contractor shall notify the Engineer whenever the moving average values exceed the moving average control limits. If two consecutive moving average values fall outside the moving average control limits, the Contractor shall cease operations. Corrective action shall be immediately instituted by the Contractor. Operations shall not be reinstated without the approval of the Engineer. Failure to cease operations shall subject all subsequently produced material to be considered unacceptable.
  - b. Mix Production Control. If the Contractor is not controlling the production process and is making no effort to take corrective action, the operation shall stop.

## VI. TEST SECTION AND DENSITY ACCEPTANCE **(Note: Applies only when specified.)**

- A. The purpose of the test section is to determine if the mix is acceptable and can be compacted to a consistent passing density.

A quick way to determine the compactibility of the mix is by the use of a nuclear density gauge in the construction of a growth curve. An easy way to construct a growth curve is to use a good vibratory roller. To construct the curve, an area the width of the roller in the middle of the mat is chosen and the roller is allowed to make one compactive pass. With the roller stopped some 30 feet away, a nuclear reading is taken and the outline of the gauge is marked on the pavement. The roller then makes a compaction pass in the opposite direction and another reading is taken. This scenario is continued until at least two (2) passes are made past the maximum density obtained.

The maximum laboratory density potential of a given mix is a direct function of the mix design air voids. Whereas, the actual maximum field density is a function of the type of coarse aggregates, natural or manufactured sands, lift thickness, roller type (static or vibratory), roller and paver speed, base condition, mix variation, etc. All of these items are taken into consideration with the growth curve.

1. High Density in the Growth Curve. If the growth curve indicates a maximum achievable field density of between 95 to 98 percent of the Theoretical Maximum Density (D), you can proceed with the Rolling Pattern. On the other hand, if the maximum achievable density is greater than 98 percent, a quick evaluation (by use of an extractor, hot bin gradations, nuclear asphalt determinator, etc.) must be made of the mix. When adjustments are made in the mix, a new growth curve shall be constructed.
2. Low Density in the Growth Curve. If the growth curve indicates the maximum achievable density is below 94 percent, a thorough evaluation of the mix, rollers, and laydown operations should be made. After a thorough evaluation of all factors (mix, rollers, etc.), asphalt or gradation changes may be in order as directed by the Engineer. Again, any changes in the mix will require a new growth curve. Note that the nuclear density test is a quality control tool and not an acceptance test. All acceptance testing is to be conducted by the use of cores, unless otherwise specified.
3. Acceptance of Test Section. The Contractor may proceed with paving the day after the test section provided the following criteria have been met:
  - a. Four random locations (2 cores per location cut longitudinally and cored by the Contractor) will be selected by the Engineer within the test strip. The cores must show a minimum of 94% density.
  - b. All Marshall and extraction test results from mix produced for the test section must be within the tolerances required by specification.
  - c. The Contractor shall correlate his nuclear gauge to the cores taken in the test section. Additional cores may be taken at the Contractor's expense for this purpose within the test section area, when approved by the Engineer.
4. Density Acceptance under Production Paving. The responsibility for obtaining the specified density lies with the Contractor. Therefore, it is important that the nuclear density gauge operator communicate with the roller operators to maintain the specified density requirements. The Contractor shall provide a Bituminous Concrete Density Tester who has successfully completed the Department's "Bituminous Concrete Nuclear Density Testing Course" to run all required density tests on the job site. Density acceptance testing, unless otherwise specified, is described as follows:
  - a. The Contractor shall cut cores at random locations within 500 ton sublots as directed by the Resident Engineer.
  - b. The cores should be extracted so as not to damage them, since they are used to calculate the Contractor's pay.
  - c. The Engineer will run preliminary  $G_{mb}$  tests on the cores to give the Contractor an indication of how compaction is running for the next day's paving.

- d. A running average of four (4) Maximum Theoretical Gravities ( $G_{mm}$ ) will be used for calculating percent compaction.
- e. Final core density tests and pay calculations will be performed by the Resident Engineer and delivered to the Contractor.

Steven J. Long, P.E.  
Acting Chief Engineer

Supersedes Policy Memorandum 96-2 dated April 1, 2003

# **APPENDIX A**

# BITUMINOUS WORKSHEET

Airport: \_\_\_\_\_ Project No.: \_\_\_\_\_ AIP No.: \_\_\_\_\_

Mix Design #: \_\_\_\_\_ Material Code: \_\_\_\_\_ Producer: \_\_\_\_\_

Prod. #: \_\_\_\_\_

## AGGREGATE

Mat'l. Code: \_\_\_\_\_

Producer #: \_\_\_\_\_

Prod. Name \_\_\_\_\_

Location: \_\_\_\_\_

## Percent Passing

### Sieve Size

|              |       |       |       |       |       |
|--------------|-------|-------|-------|-------|-------|
| 1 inch       | _____ | _____ | _____ | _____ | _____ |
| 3/4 inch     | _____ | _____ | _____ | _____ | _____ |
| 1/2 inch     | _____ | _____ | _____ | _____ | _____ |
| 3/8 inch     | _____ | _____ | _____ | _____ | _____ |
| No. 4        | _____ | _____ | _____ | _____ | _____ |
| No. 8        | _____ | _____ | _____ | _____ | _____ |
| No. 16       | _____ | _____ | _____ | _____ | _____ |
| No. 30       | _____ | _____ | _____ | _____ | _____ |
| No. 50       | _____ | _____ | _____ | _____ | _____ |
| No. 100      | _____ | _____ | _____ | _____ | _____ |
| No. 200      | _____ | _____ | _____ | _____ | _____ |
| Washed (y/n) | _____ | _____ | _____ | _____ | _____ |
| O.D. Gravity | _____ | _____ | _____ | _____ | _____ |
| App. Gravity | _____ | _____ | _____ | _____ | _____ |
| Absorption   | _____ | _____ | _____ | _____ | _____ |

Asphalt Gravity \_\_\_\_\_ Asphalt Source \_\_\_\_\_ Asphalt Producer No. \_\_\_\_\_

## MARSHALL DATA

% Asphalt \_\_\_\_\_

M. Stability \_\_\_\_\_

Flow \_\_\_\_\_

D \_\_\_\_\_

0 \_\_\_\_\_

% Air Voids \_\_\_\_\_

Q.C. Manager Name: \_\_\_\_\_ Phone number: \_\_\_\_\_

Laboratory Location: \_\_\_\_\_ Fax Number: \_\_\_\_\_

Remarks: \_\_\_\_\_



# Bituminous Mixtures Extraction

Date: \_\_\_\_\_

Airport: \_\_\_\_\_ Consultant: \_\_\_\_\_

Illinois Project: \_\_\_\_\_ Contractor: \_\_\_\_\_

AIP Project No.: \_\_\_\_\_ Producer: \_\_\_\_\_

Mix #: \_\_\_\_\_ Dry Time: \_\_\_\_\_ Lot: \_\_\_\_\_ Sublot: \_\_\_\_\_

Type: \_\_\_\_\_ Washed: \_\_\_\_\_

| Sieve   | Wt. | Accum. Wt. | % Passing | Mix Formula | Tolerance | Spec Range |
|---------|-----|------------|-----------|-------------|-----------|------------|
| 1.5     |     |            |           |             |           |            |
| 1       |     |            |           |             |           |            |
| 3/4     |     |            |           |             |           |            |
| 1/2     |     |            |           |             |           |            |
| 3/8     |     |            |           |             |           |            |
| 4       |     |            |           |             |           |            |
| 8       |     |            |           |             |           |            |
| 16      |     |            |           |             |           |            |
| 30      |     |            |           |             |           |            |
| 50      |     |            |           |             |           |            |
| 100     |     |            |           |             |           |            |
| 200     |     |            |           |             |           |            |
| Tot Agg |     |            |           |             |           |            |
| Bit     |     |            |           |             |           |            |

| Extraction Data             |         |
|-----------------------------|---------|
| Pan, New Filter & Sample    | g _____ |
| Pan & New Filter            | g _____ |
| Sample                      | g _____ |
| Pan, Used Filter, Aggregate | g _____ |
| Pan & New Filter            | g _____ |
| Aggregate                   | g _____ |
| Pan & Used Filter           | g _____ |
| Pan & New Filter            | g _____ |
| Dust in Filter              | g _____ |
| Sample                      | g _____ |
| Aggregate                   | g _____ |
| Bitumen                     | g _____ |

|            |                |          |            |       |      |
|------------|----------------|----------|------------|-------|------|
| New Bit:   | Marshall Stab: | Blows:   | Gyro:      | Flow: | TSR: |
| Bulk SPGR: | Max SPGR:      | % Voids: | DEN (PCF): |       |      |

Remarks: \_\_\_\_\_

CC: \_\_\_\_\_ Tested by: \_\_\_\_\_





# **APPENDIX B**

**QUALITY CONTROL TESTING (PLANT)**

| <b>PARAMETER</b>  | <b>FREQUENCY</b>  | <b>SAMPLE SIZE</b>   | <b>TEST METHOD</b> | <b>REPORT FORM</b>   |
|---|---|--|--------------------|----------------------|
| Aggregate Gradations: Hot bins for batch and continuous plants--- Individual cold-feeds or combined belt-feeds for drier drum plants. | Minimum 1 per day of production and at least 1 per 1000 tons. | CA07/11: 5000 gm<br>CA13: 2000 gm<br>CA16: 1500 gm<br>Fine agg: 500 gm<br>1 gallon asphalt cement  | ASTM C 136         | AER M-9              |
| Aggregate gradations: Stockpiles  | Minimum 1 per aggregate per week per stockpile.               | CA07/11: 5000 gm<br>CA13: 2000 gm<br>CA16: 1500 gm<br>Fine agg: 500 gm<br>*Note: The above test sample sizes are to be obtained from splitting down a larger sample from the stockpiles. | ASTM C 136         | AER M-9              |
| Maximum Specific Gravity  | Minimum 1 per 1000 tons                                       | 1200 gm per test   | ASTM D 2041        | AER M-11 and AERM-14 |
| Bulk Specific Gravity   | Minimum 1 per 1000 tons                                       | 1250 gm per briquette  | ASTM D 2726        | AER M-11 and AERM-14 |
| Marshall Stability and Flow   | Minimum 1 per 1000 tons                                       | 1250 gm per briquette  | ASTM D 1559        | AER M-11 and AERM-14 |
| % Air Voids   | Minimum 1 per 1000 tons                                       |  | ASTM D 3203        | AER M-11 and AERM-14 |
| Extraction  | Minimum 1 per 1000 tons                                       | 1000 gm (surface)<br>1500 gm (base)  | ASTM D 2172        | AER M-11 and AERM-14 |
| Ignition Oven Test  | Minimum 1 per 1000 tons                                       | 1500 gm  |                    | AER M-14             |
| Nuclear Asphalt Gauge   | Minimum 1 per 1000 tons                                       | 1000-1100 gm   | ASTM D 2145        | AER M-14             |

### **MIX DESIGN TESTING**

| <b>PARAMETER</b>   | <b>FREQUENCY</b>   | <b>SAMPLE SIZE</b>  | <b>TEST METHOD</b> | <b>REPORT FORM</b>                |
|--|--|---|--------------------|-----------------------------------|
| Representative samples of each aggregate and asphalt cement. | 1 per aggregate and 1 asphalt cement.                      | 280 lb. (coarse)<br>150 lb. (fine)<br>15 lb. (min. filler)<br>1 gallon asphalt cement | ASTM D 75          | N/A                               |
| Aggregate Gradation  | 1 per aggregate  | CA07/11: 5000 gm<br>CA13: 2000 gm<br>CA16: 1500 gm<br>Fine agg: 500 gm                | ASTM C 136         | Bituminous Worksheet (Appendix A) |
| Maximum Specific Gravity                                     | 2 per specified asphalt content                            | 1200 gm per test  | ASTM D 2041        | Bituminous Worksheet (Appendix A) |
| Bulk Specific Gravity  | 3 briquettes per specified asphalt content                 | 1250 gm per briquette   | ASTM D 2726        | Bituminous Worksheet (Appendix A) |
| Marshall Stability and Flow                                  | 3 briquettes   | 1250 gm per briquette   | ASTM D 1559        | Bituminous Worksheet (Appendix A) |
| % Air Voids  | 1 per specified asphalt content (Avg. of $G_{sb}/G_{mm}$ ) |   | ASTM D 3203        | Bituminous Worksheet (Appendix A) |

**QUALITY CONTROL TESTING (PAVER)**

| <b>PARAMETER</b>     | <b>FREQUENCY</b>   | <b>SAMPLE SIZE</b> | <b>TEST METHOD</b> | <b>REPORT FORM</b> |
|----------------------|--|--------------------|--------------------|--------------------|
| Nuclear Density Test | As required by the Contractor to maintain consistent passing density | Various locations  | ASTM D 2950        |                    |

State of Illinois  
Department of Transportation  
Division of Aeronautics

---

**POLICY MEMORANDUM**

January 1, 2004

Springfield, Illinois

Number 96-3

TO: CONSULTING ENGINEERS

SUBJECT: REQUIREMENTS FOR QUALITY ASSURANCE ON PROJECTS  
WITH BITUMINOUS CONCRETE PAVING

I. SCOPE

The purpose of this policy memorandum is to define to the Consulting Engineer the requirements concerning Quality Assurance on bituminous concrete paving projects. Specifically, this memo applies whenever the Contractor is required to comply with the requirements set forth in Policy Memorandum 96-2, "*Requirements for Laboratory, Testing, Quality Control, and Paving of Bituminous Concrete Mixtures*".

II. LABORATORY APPROVAL

The Resident Engineer shall review and approve the Contractor's plant laboratory to assure that it meets the requirements set forth in the contract specifications and Policy Memorandum 96-2. This review and approval shall be completed prior to utilization of the plant for the production of any mix.

III. QUALITY ASSURANCE DURING PRODUCTION PAVING

A. At the option of the Engineer, independent assurance tests may be performed on split samples taken by the Contractor for Quality Control testing. In addition, the Resident Engineer shall witness the sampling and splitting of these samples at the start of production and as needed throughout mix production. The Engineer may select any or all split samples for assurance testing. These tests may be performed at any time after sampling. The test results will be made available to the Contractor as soon as they become available.

B. The Resident Engineer may witness the sampling and testing being performed by the Contractor. If the Resident Engineer determines that the sampling and Quality Control tests are not being performed according to the applicable test procedures, the Engineer may stop production until corrective action is taken. The Resident Engineer will promptly notify the Contractor, both verbally and in writing, of observed deficiencies. The Resident Engineer will document all witnessed samples and tests. The Resident Engineer may elect to obtain samples for testing, separate from the Contractor's Quality Control process, to verify specification compliance.

1. Differences between the Contractor's and the Engineer's split sample test results will be considered acceptable if within the following limits:

| <u>Test Parameter</u>                    | <u>Acceptable Limits of Precision</u> |
|--|---------------------------------------|
| % Passing                                |                                       |
| 1/2 in.                                  | 5.0 %                                 |
| No. 4                                    | 5.0 %                                 |
| No. 8                                    | 3.0 %                                 |
| No. 30                                   | 2.0 %                                 |
| No. 200                                  | 2.2 %                                 |
| Asphalt Content                          | 0.3 %                                 |
| Maximum Specific Gravity of Mixture      | 0.026                                 |
| Bulk Specific Gravity of Marshall Sample | 0.045                                 |

2. In the event a comparison of the required plant test results is outside the above acceptable limits of precision, split or independent samples fail the control limits, an extraction indicates non-specification mix, or a continual trend of difference between Contractor and Engineer test results is identified, the Engineer will immediately investigate. The Engineer may suspend production while the investigation is in progress. The investigation may include testing by the Engineer of any remaining split samples or a comparison of split sample test results on the mix currently being produced. The investigation may also include review and observation of the Contractor's technician performance, testing procedure, and equipment. If a problem is identified with the mix, the Contractor shall take immediate corrective action. After corrective action, both the Contractor and the Engineer shall immediately resample and retest.

- C. The Contractor shall be responsible for documenting all observations, records of inspection, adjustments to the mixture, test results, retest results, and corrective actions in a bound hardback field book or bound diary which will become the property of IDA upon completion and acceptance of the project. The Contractor shall be responsible for the maintenance of all permanent records whether obtained by the Contractor, the Contractor's Consultants, or the producer of bituminous mix material. The Contractor shall provide the Engineer full access to all documentation throughout the progress of the work.

Results of adjustments to mixture production and tests shall be recorded in duplicate and sent to the Engineer.

#### IV. ACCEPTANCE BY ENGINEER

Density acceptance shall be performed according to Policy Memorandum 87-2, or according to the acceptance procedure outlined in the Special Provisions.

Steven J. Long, P.E.  
Acting Chief Engineer

Supersedes Policy Memorandum 96-3 dated January 1, 1997



State of Illinois  
Department of Transportation  
Division of Aeronautics

---

**POLICY MEMORANDUM**

January 1, 2004

Springfield, Illinois

Number 97-2

TO: CONSULTING ENGINEERS

SUBJECT: PAVEMENT MARKING PAINT ACCEPTANCE

I. SCOPE

The purpose of this policy memorandum is to define the procedure for acceptance of pavement marking paint.

II. RESIDENT ENGINEER'S DUTIES

The Resident Engineer shall follow the acceptance procedure outlined as follows:

- A. Require the painting contractor to furnish the name of the paint manufacturer and the batch number proposed for use prior to beginning work. Notify the I.D.A. Materials Certification Engineer when this information is available.
- B. Require the manufacturer's certification before painting begins. Check the certification for compliance to the contract specifications.
  1. The certification shall be issued from the manufacturer and shall include the specification and the batch number.
  2. The paint containers shall have the manufacturer's name, the specification and the batch number matching the certification.
- C. If no batch number is indicated on the certification or containers, sample the paint according to the procedure for the corresponding paint type.
- D. If the I.D.A. Engineer of Materials indicates that batch number has not been previously sampled and tested, sample the paint according to the procedure for the corresponding paint type. The Division of Aeronautics will provide paint cans upon request by the Resident Engineer. Samples will only be taken in new epoxy lined cans so that the paint will not be contaminated. It is important to seal the sample container immediately with a tight cover to prevent the loss of volatile solvents.

Mark the sample cans with the paint color, manufacturer's name, and batch number. The paint samples and manufacturer's certification shall be placed in the mail within 24 hours after sampling. Address the samples to the Materials Certification Engineer at:

Illinois Department of Transportation  
Division of Aeronautics  
One Langhorne Bond Drive  
Springfield, Illinois 62707

Sampling Procedures for Each Paint Type:

1. Waterborne or Solvent Base Paints
  - a. Take the paint sample from the spray nozzle when the contractor begins marking. A sample consists of two one-pint cans taken per batch number.
  - b. Be sure to indicate to the contractor that acceptance of material is based upon a passing test of the paint material.
  
2. Epoxy Paint
  - a. Take separate one-pint samples of each paint component prior to marking. Before drawing samples, the contents of each component's container must be thoroughly mixed to make certain that any settled portion is fully dispersed. **Do not combine the two components or sample from the spray nozzle.**
  - b. Be sure to indicate to the contractor that acceptance of material is based upon a passing test of the paint material.

III. TESTING

The paint will be tested for acceptance by the IDOT Bureau of Materials and Physical Research for conformance to the contract specifications.

Steven J. Long, P.E.  
Acting Chief Engineer

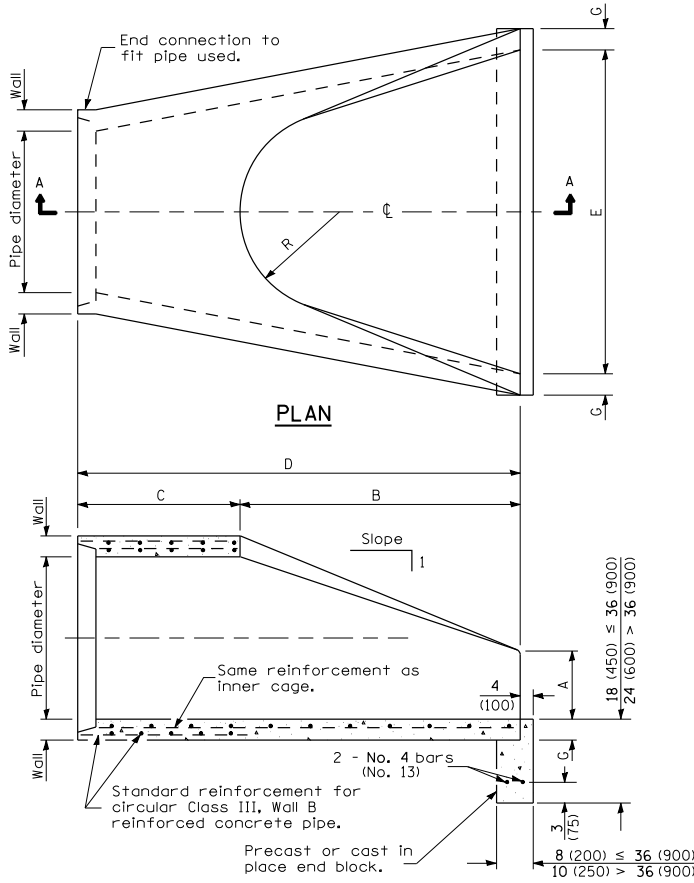
Supersedes policy memorandum 97-2 dated February 27, 2002

**IDOT DESIGN STANDARDS**

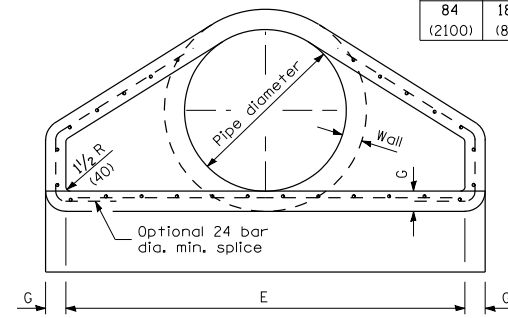


| PIPE DIA. | APPROX. QTY. lbs. (kg) | WALL        | A            | B                    | C                   | D                   | E                | G           | R            | APPROX. SLOPE |
|-----------|------------------------|-------------|--------------|----------------------|---------------------|---------------------|------------------|-------------|--------------|---------------|
| 12 (300)  | 530 (240)              | 2 (51)      | 4 (102)      | 24 (610)             | 4'-0 7/8" (1,241 m) | 6'-0 7/8" (1,851 m) | 24 (610)         | 2 (51)      | 9 (229)      | 1:2.4         |
| 15 (375)  | 740 (335)              | 2 1/4 (57)  | 6 (152)      | 27 (686)             | 3'-10" (1,168 m)    | 6'-1" (1,854 m)     | 30 (762)         | 2 1/4 (57)  | 11 (280)     | 1:2.4         |
| 18 (450)  | 990 (450)              | 2 1/2 (64)  | 9 (229)      | 27 (686)             | 3'-10" (1,168 m)    | 6'-1" (1,854 m)     | 36 (914)         | 2 1/2 (64)  | 12 (305)     | 1:2.4         |
| 21 (525)  | 1280 (580)             | 2 3/4 (70)  | 9 (229)      | 35 (889)             | 3'-10" (1,168 m)    | 6'-1" (1,854 m)     | 3'-6" (1,067 m)  | 2 3/4 (70)  | 13 (330)     | 1:2.4         |
| 24 (600)  | 1520 (690)             | 3 (76)      | 9 1/2 (241)  | 3'-7 1/2" (1,105 m)  | 30 (762)            | 6'-1 1/2" (1,867 m) | 4'-0" (1,219 m)  | 3 (76)      | 14 (356)     | 1:2.5         |
| 27 (675)  | 1930 (875)             | 3 1/4 (83)  | 10 1/2 (267) | 4'-0" (1,219 m)      | 25 1/2 (648)        | 6'-1 1/2" (1,867 m) | 4'-6" (1,372 m)  | 3 1/4 (83)  | 14 1/2 (368) | 1:2.4         |
| 30 (750)  | 2190 (995)             | 3 1/2 (89)  | 12 (305)     | 4'-6" (1,375 m)      | 19 3/4 (502)        | 6'-1 3/4" (1,874 m) | 5'-0" (1,524 m)  | 3 1/2 (89)  | 15 (381)     | 1:2.5         |
| 33 (825)  | 3200 (1450)            | 3 3/4 (95)  | 13 1/2 (343) | 4'-10 1/2" (1,486 m) | 39 1/4 (997)        | 8'-1 3/4" (2,483 m) | 5'-6" (1,676 m)  | 3 3/4 (95)  | 17 1/2 (445) | 1:2.5         |
| 36 (900)  | 4100 (1860)            | 4 (102)     | 15 (381)     | 5'-3" (1,6 m)        | 34 3/4 (883)        | 8'-1 3/4" (2,483 m) | 6'-0" (1,829 m)  | 4 (102)     | 20 (508)     | 1:2.5         |
| 42 (1050) | 5380 (2440)            | 4 1/2 (114) | 21 (533)     | 5'-3" (1,6 m)        | 35 (889)            | 8'-2" (2,489 m)     | 6'-6" (1,981 m)  | 4 1/2 (114) | 22 (559)     | 1:2.5         |
| 48 (1200) | 6550 (2970)            | 5 (127)     | 24 (610)     | 6'-0" (1,829 m)      | 26 (660)            | 8'-2" (2,489 m)     | 7'-0" (2,134 m)  | 5 (127)     | 22 (559)     | 1:2.5         |
| 54 (1350) | 8240 (3740)            | 5 1/2 (140) | 27 (686)     | 5'-5" (1,651 m)      | 35 (889)            | 8'-4" (2,54 m)      | 7'-6" (2,286 m)  | 5 1/2 (140) | 24 (610)     | 1:2.0         |
| 60 (1500) | 8730 (3960)            | 6 (152)     | 35 (889)     | 5'-0" (1,524 m)      | 39 (991)            | 8'-3" (2,515 m)     | 8'-0" (2,438 m)  | 5 (127)     | *            | 1:1.9         |
| 66 (1650) | 10710 (4860)           | 6 1/2 (165) | 30 (762)     | 6'-0" (1,829 m)      | 27 (686)            | 8'-3" (2,515 m)     | 8'-6" (2,591 m)  | 5 1/2 (140) | *            | 1:1.7         |
| 72 (1800) | 12520 (5680)           | 7 (178)     | 36 (914)     | 6'-6" (1,981 m)      | 21 (533)            | 8'-3" (2,514 m)     | 9'-0" (2,743 m)  | 6 (152)     | *            | 1:1.8         |
| 78 (1950) | 14770 (6700)           | 7 1/2 (191) | 36 (914)     | 7'-6" (2,286 m)      | 21 (533)            | 9'-3" (2,819 m)     | 9'-6" (2,896 m)  | 6 1/2 (165) | *            | 1:1.8         |
| 84 (2100) | 18160 (8240)           | 8 (203)     | 36 (914)     | 7'-6 1/2" (2,299 m)  | 21 (533)            | 9'-3 1/2" (2,832 m) | 10'-0" (3,048 m) | 6 1/2 (165) | *            | 1:1.6         |

\* Radius as furnished by manufacturer



SECTION A-A



END VIEW

GENERAL NOTES

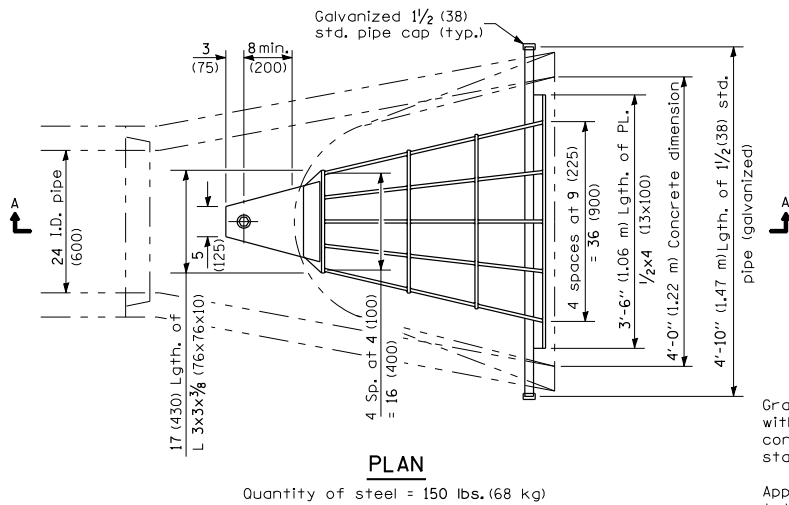
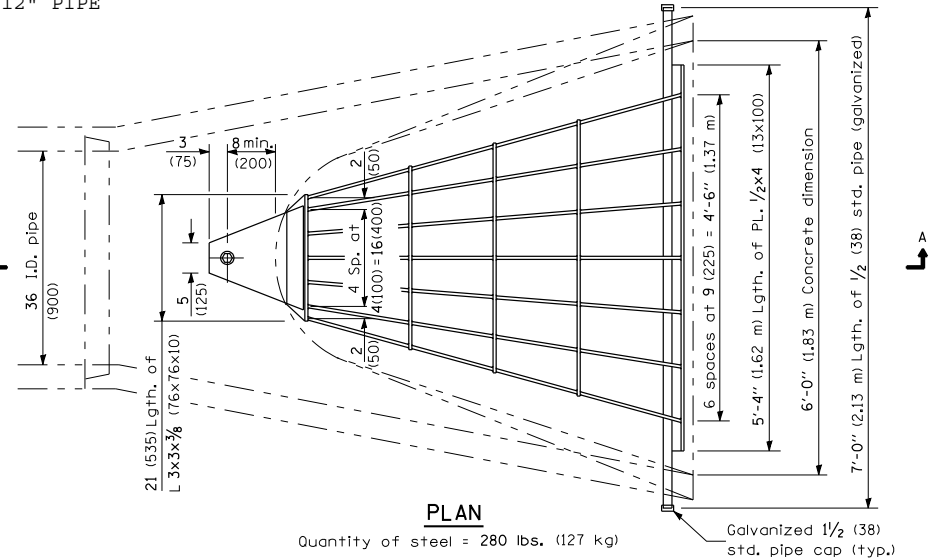
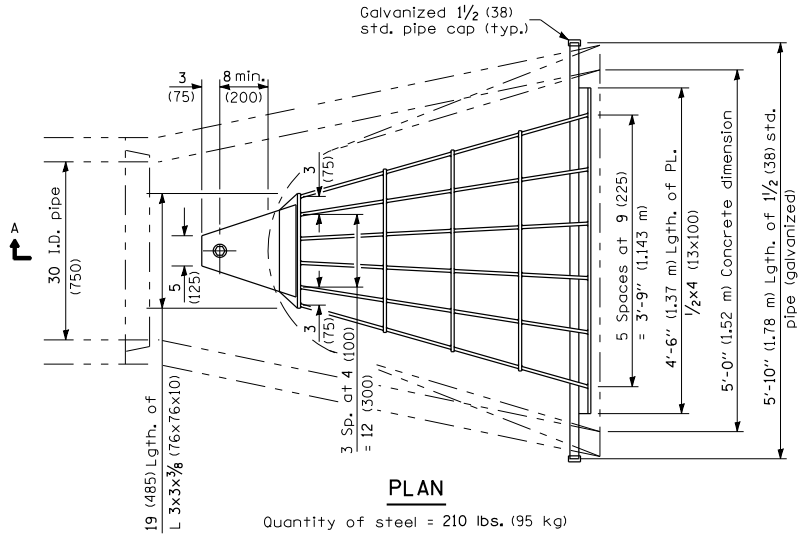
All slope ratios are expressed as units of vertical displacement to units of horizontal displacement (V:H).  
All dimensions are in inches (millimeters) unless otherwise shown.

| DATE   | REVISIONS                                 |
|--------|---|
| 1-1-09 | Switched units to English (metric).       |
| 1-1-07 | Soft converted metric reinforcement bars. |

**PRECAST REINFORCED CONCRETE FLARED END SECTION**  
**STANDARD 542301-02**

Illinois Department of Transportation  
 APPROVED January 1, 2009  
*Michael S. Anderson*  
 ENGINEER OF BRIDGES AND STRUCTURES  
 APPROVED January 1, 2009  
*Greg C. Hester*  
 ENGINEER OF DESIGN AND ENVIRONMENT  
 16-1-1 (08/05)

MODIFY FOR 12" PIPE

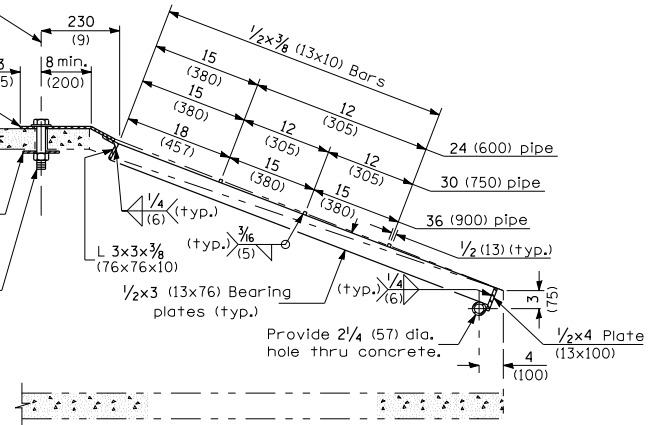


1/8 (28) Dia. hole thru 3/8 (10) plate  
1/4 (30) Dia. hole thru concrete

3/8 (10) Plate shall conform to surface shape of conc. flared end section.

1/4x4x4 (76x76x10) Plate washer  
1/16 (27) dia. hole

1 (M24) Bolt with flat washer and hex nut



GENERAL NOTES

Grating details shown are intended for use with particular sizes of precast reinforced concrete flared end sections as shown on standards 542301 and 542306.

Approximate quantity of steel shown includes total quantity of grating, bolts, nuts, washers and steel pipe.

Holes in the precast concrete flared end sections shall be cored to the diameters noted. If cone-out on the other end of the hole occurs, the hole shall be filled with grout to correct the diameter of the hole.

All dimensions are in inches (millimeters) unless otherwise shown.

| DATE   | REVISIONS   |
|--------|---|
| 1-1-09 | Changed top bolt loc. Switched units to English (metric). |
| 1-1-97 | Renum. Standard 2364-3 and Standard 2379-2.               |

**GRATING FOR CONCRETE FLARED END SECTION (FOR 24" (600 mm) THRU 54" (1350 mm) PIPE)**  
(Sheet 1 of 2)

**STANDARD 542311-01**

Illinois Department of Transportation

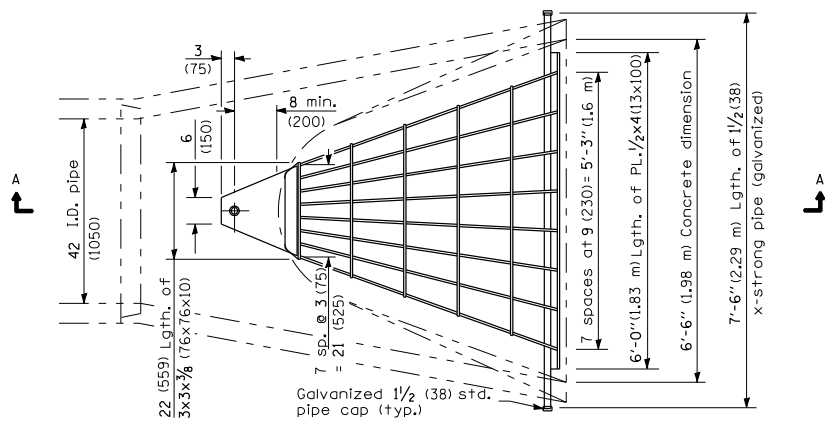
PASSED January 1, 2009

ENGINEER OF POLICY AND PROCEDURES

APPROVED January 1, 2009

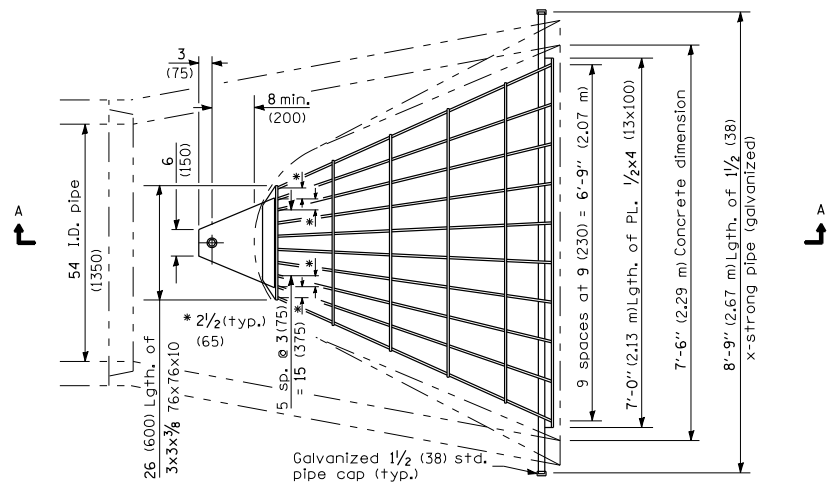
ENGINEER OF DESIGN AND ENVIRONMENT

16-1-1 (08/93)



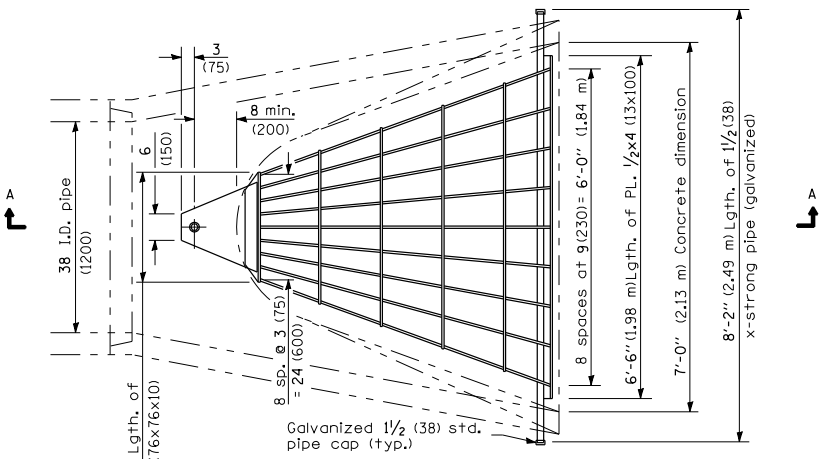
**PLAN**

Quantity of steel = 320 lbs. (145 kg)



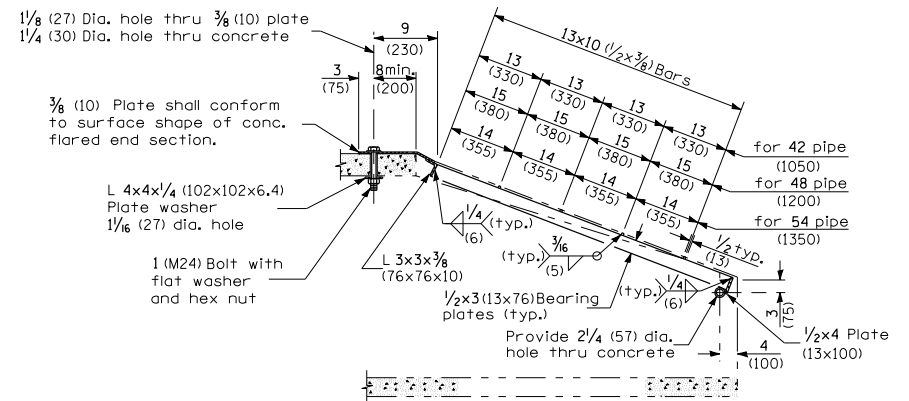
**PLAN**

Quantity of steel = 425 lbs. (193 kb)



**PLAN**

Quantity of steel = 400 lbs. (181 kg)



**SECTION A-A**

MODIFY FOR 12" PIPE

**GRATING FOR CONCRETE  
FLARED END SECTION  
(FOR 24" (600 mm) THRU  
54" (1350 mm) PIPE)**  
(Sheet 2 of 2)

**STANDARD 542311-01**

Illinois Department of Transportation

PASSED January 1, 2009

ENGINEER OF POLICY AND PROCEDURES

APPROVED January 1, 2009

ENGINEER OF DESIGN AND ENVIRONMENT

16-1-1 (08/03)