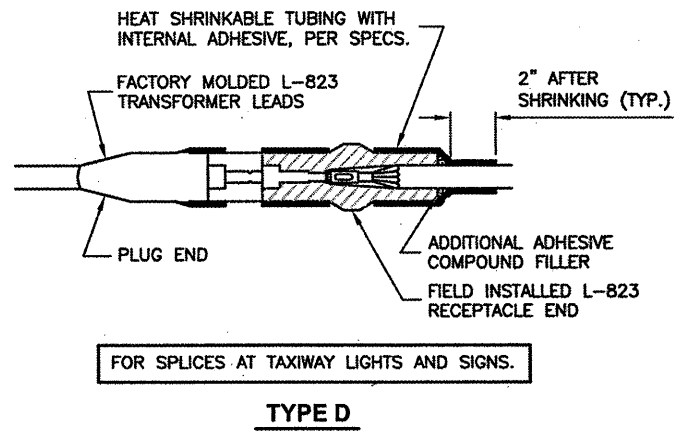
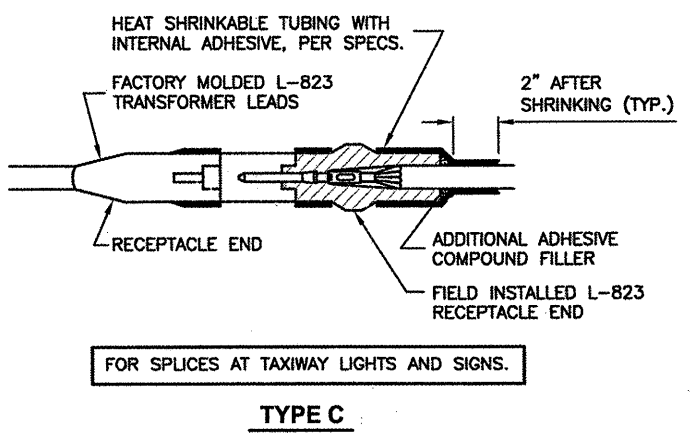
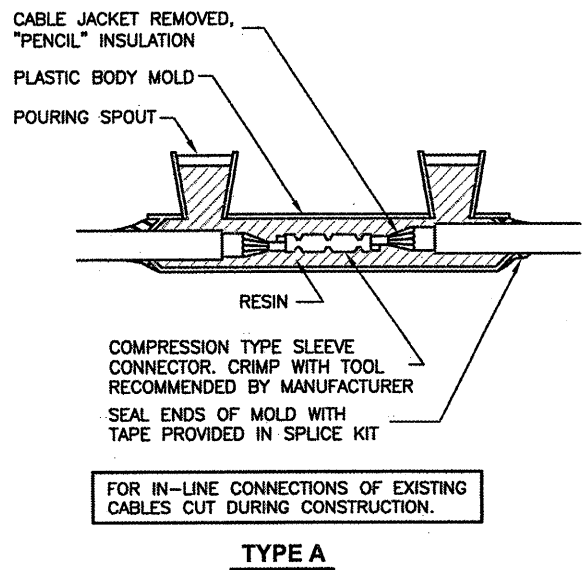
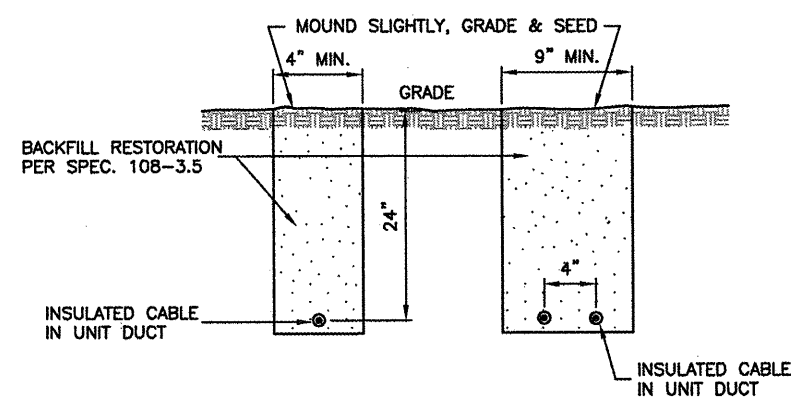
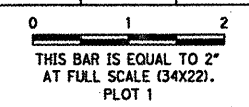


REVISIONS		
NUMBER	BY	DATE



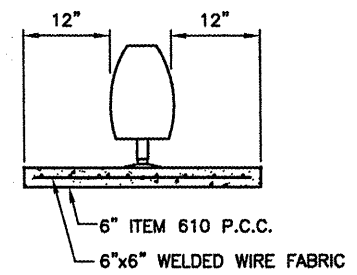
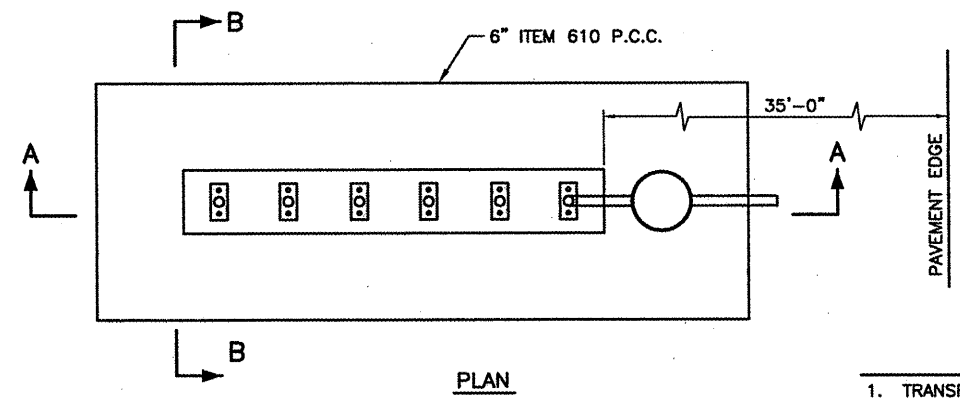
CABLE SPLICES
N.T.S.

- CABLE SPLICE NOTES**
1. INSIDE DIAMETER OF CONNECTOR SHALL PROPERLY MATCH THE OUTSIDE DIAMETER OF CABLE.
 2. THE COST OF FURNISHING AND INSTALLING ALL SPLICE MATERIALS SHALL BE INCIDENTAL TO THE ASSOCIATED CABLE ITEMS.
 3. THE CONTRACTOR SHALL HAVE A MINIMUM OF TWO (2) TYPE A SPLICE KITS ON THE JOB SITE AT ALL TIMES FOR EMERGENCY REPAIRS.

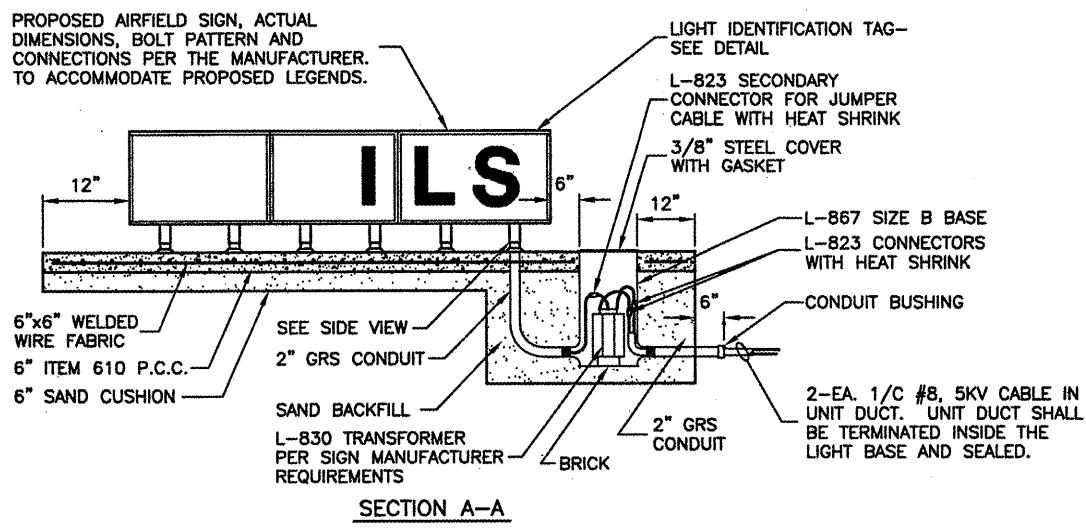


1. TRENCHES WITH MORE THAN 2 CABLES SHALL BE INCREASED 3" IN WIDTH FOR EACH ADDITIONAL CABLE. IF SPECIFIED ON PLANS, TWO PARALLEL TRENCHES MAY BE CONSTRUCTED.
2. DEPTH OF TRENCHES SHALL BE AS SHOWN ABOVE UNLESS OTHERWISE SPECIFIED ON THE PLANS.
3. SAND BACKFILL SHALL BE USED IF THE EXISTING SOIL DOES NOT MEET THE BACKFILL REQUIREMENTS.
4. ALL DISTURBED SURFACES SHALL BE RESTORED TO THEIR ORIGINAL CONDITION. COST IS INCIDENTAL TO ITEM 108.

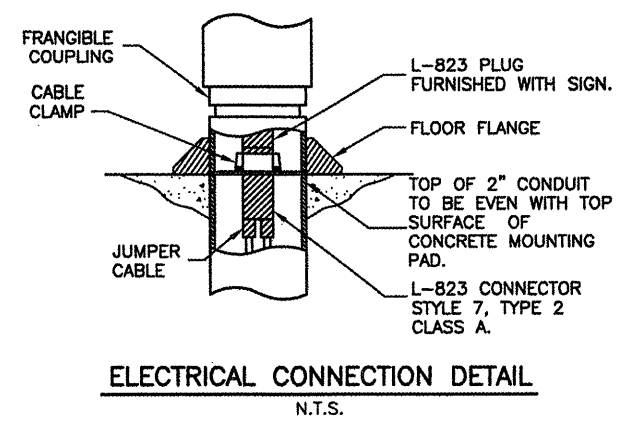
TRENCH DETAIL
N.T.S.



- NOTES**
1. TRANSFORMER WATTAGE SHALL BE AS REQUIRED BY SIGN MANUFACTURER.
 2. SIGN LEGEND SHALL BE AS SHOWN IN THE PLANS.
 3. SIGNS SHALL BE SIZE 2 STYLE 2, CLASS 2.



L-858 AIRFIELD SIGN DETAILS
N.T.S.



GENERAL WAYNE A. DOWNING
 PEORIA INTERNATIONAL AIRPORT
 CONSTRUCT NEW PERIMETER ROAD AND PERIMETER FENCE - PROJECT 3

© Copyright CMT, Inc.
CMT
 CRAWFORD, MURPHY & TILLY, INC.
 CONSULTING ENGINEERS
 License No. 84-000618

L PROJECT: PIA-3868
AIP PROJ: 3-17-0080-XX

FILE:	ELECDETLO1
DESIGN BY:	TJH/SMS
DRAWN BY:	CMT
CHECKED BY:	CET
APPROVED BY:	CET
DATE:	02-13-2009
JOB No:	07061-04-00

ELECTRICAL DETAILS