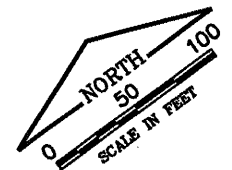
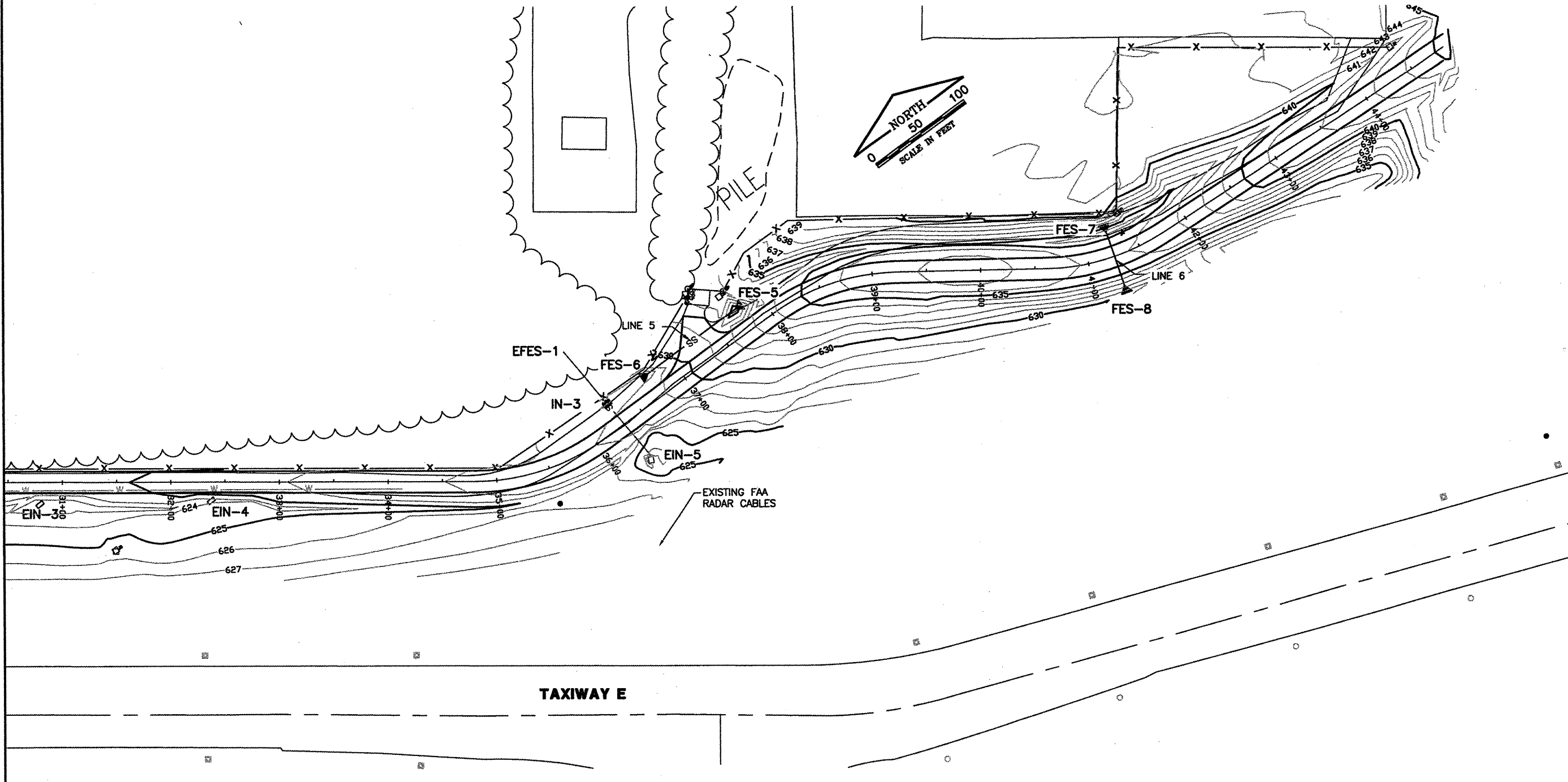
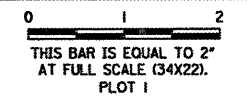


PE089

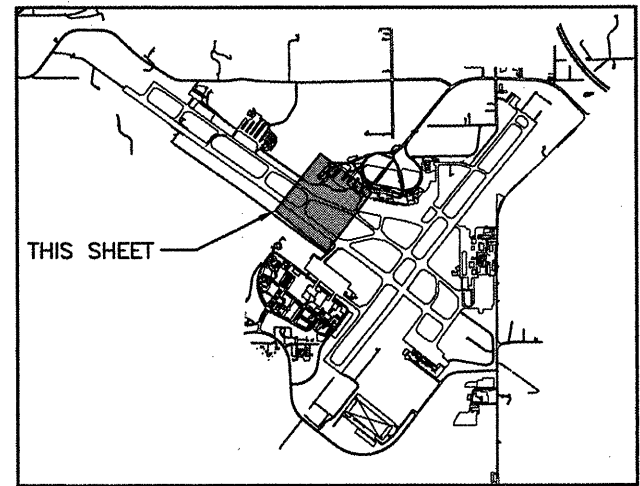
REVISIONS		
NUMBER	BY	DATE



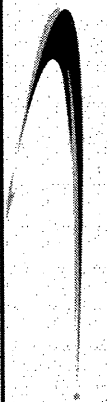
- NOTES:**
1. INLET 3 IS TO BE SET OVER AN EXISTING PIPE.
 2. THE CONTRACTOR SHALL PERFORM FIELD SURVEYS PRIOR TO CASTING OR ORDERING ANY STORM SEWER MATERIALS.
 3. THE ACTUAL LOCATION AND SIZE OF INLET 3 IS DEPENDING ON THE ORIENTATION OF THE EXISTING PIPE RUN FROM EIN-5 TO EFES-1.
 4. ANY ADDITIONAL MODIFICATIONS REQUIRED IN THE FIELD SHALL BE CONSIDERED INCIDENTAL COSTS.


LEGEND

— SS —	NEW STORM SEWER
- - - SS - - -	EXISTING STORM SEWER
□	EIN-2 EXISTING INLET
■	IN-2 NEW INLET
●	NEW MANHOLE
⊙	EXISTING MANHOLE
◄ FES-2	NEW FLARED END SECTION



KEY MAP


GENERAL WAYNE A. DOWNING
PEORIA INTERNATIONAL AIRPORT
CONSTRUCT NEW PERIMETER ROAD AND PERIMETER FENCE - PROJECT 3


CMT
 CRAWFORD, MURPHY & TILLY, INC.
 CONSULTING ENGINEERS
 License No. 94-000613

PROJECT: PIA-3865
AP PROJ 3-17-0080-XX

FILE:	WEST_DRAINAGE_PLAN_03
DESIGN BY:	TJH/SMS
DRAWN BY:	CMT
CHECKED BY:	CET
APPROVED BY:	CET
DATE:	02-13-2009
JOB No:	07061-04-00

WEST ROADSIDE DRAINAGE PLAN SHEET 3 OF 3
 SHEET 39 OF 151 SHEETS

K:\Peoria\070610400\Draw\Sheets\1...West_South_Fence\Phase 3 Sheets
 FILE: WEST_DRAINAGE_PLAN_03.dwg
 DATE: 2/12/2009 11:32 AM