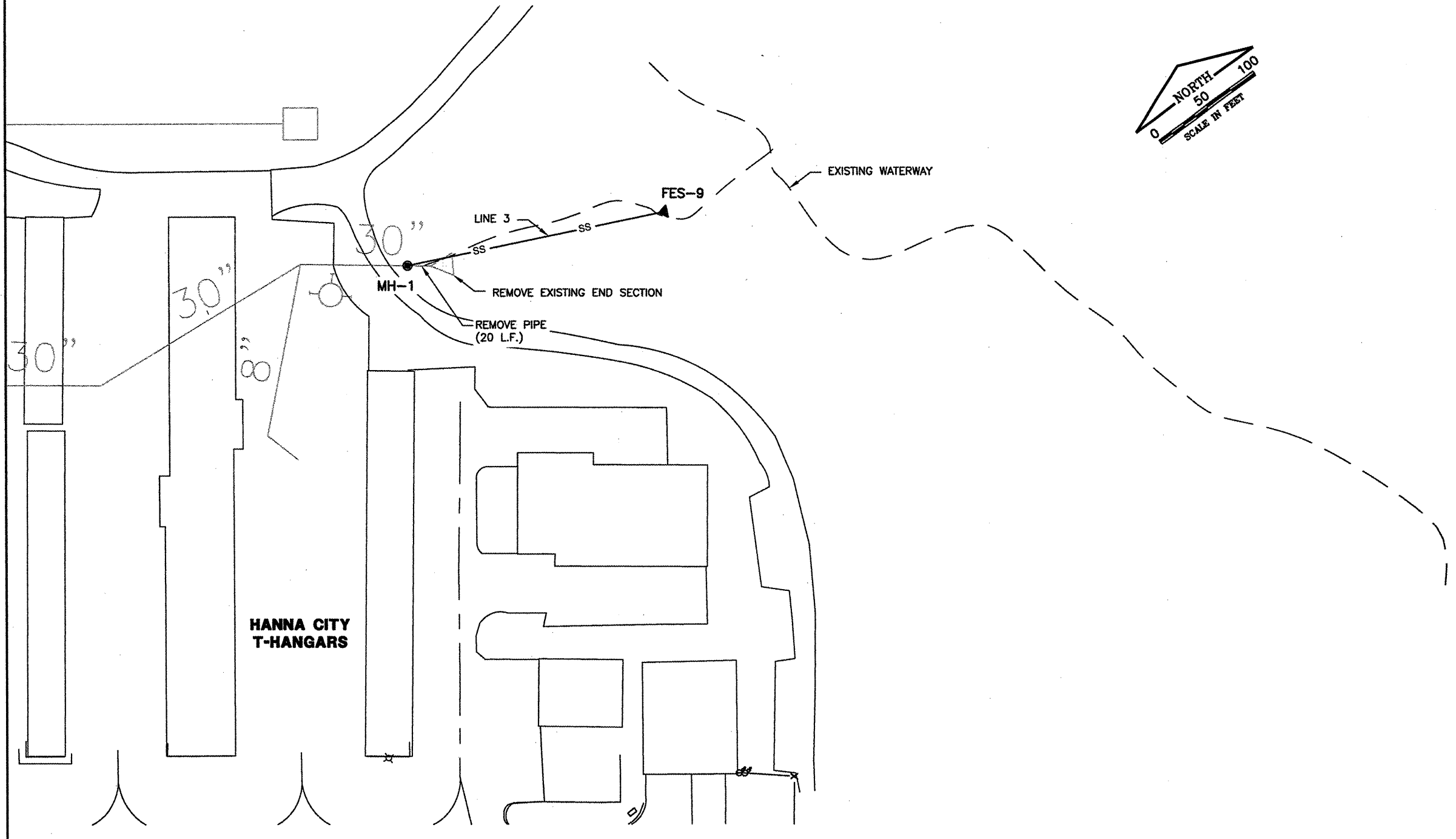
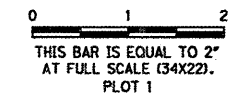


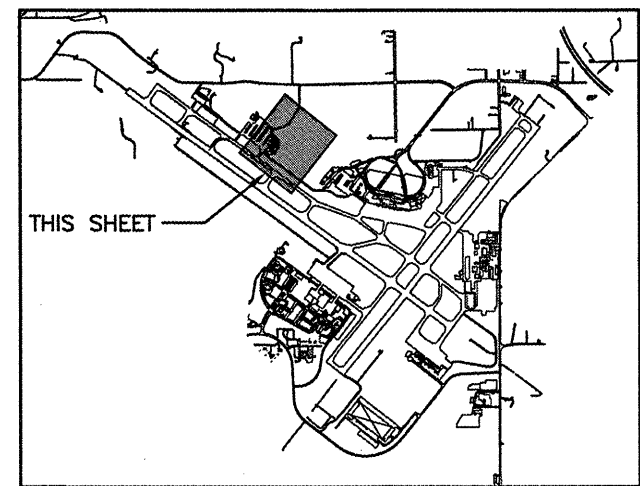
| REVISIONS |    |      |
|-----------|----|------|
| NUMBER    | BY | DATE |
|           |    |      |
|           |    |      |
|           |    |      |




- NOTES:**
1. LOCATION OF EXISTING STORM SEWER UTILITIES ARE SHOWN AS APPROXIMATE. CONTRACTOR SHALL PERFORM FIELD SURVEYS TO VERIFY THE LOCATION, DISTANCES, ANGLES, AND ELEVATIONS OF NEW AND EXISTING STORM SEWER.
  2. NO STRUCTURES SHALL BE CAST UNTIL ALL SIZES, LOCATIONS, AND ELEVATIONS HAVE BEEN FIELD VERIFIED BY THE CONTRACTOR.
  3. ACTUAL PLACEMENT OF STORM SEWER PIPE AND STRUCTURES AT THIS LOCATION IS SUBJECT TO CHANGE AS DIRECTED BY THE RESIDENT ENGINEER.
  4. MANHOLE SHALL BE SET 20 FEET UPSTREAM OF EXISTING FLARED END SECTION.
  5. ANY ADDITIONAL MODIFICATIONS REQUIRED IN THE FIELD SHALL BE CONSIDERED INCIDENTAL COSTS.

**LEGEND**


|                |                        |
|----------------|------------------------|
| — SS —         | NEW STORM SEWER        |
| - - - SS - - - | EXISTING STORM SEWER   |
| □              | EIN-2 EXISTING INLET   |
| ■              | IN-2 NEW INLET         |
| ●              | NEW MANHOLE            |
| ⊙              | EXISTING MANHOLE       |
| ◄ FES-2        | NEW FLARED END SECTION |



KEY MAP

  
**GENERAL WAYNE A. DOWNING**  
**PEORIA INTERNATIONAL AIRPORT**

**CONSTRUCT NEW PERIMETER ROAD AND PERIMETER FENCE - PROJECT 3**

  
**CMT**  
 CRAWFORD, MURPHY & TILLY, INC.  
 CONSULTING ENGINEERS  
 License No. 84-006813

**IL PROJECT: PIA-3865**  
**AIP PROJ: 3-17-0080-XX**

|              |                       |
|--------------|-----------------------|
| FILE:        | WEST_DRAINAGE_PLAN_04 |
| DESIGN BY:   | TJH/SMS               |
| DRAWN BY:    | CMT                   |
| CHECKED BY:  | CET                   |
| APPROVED BY: | CET                   |
| DATE:        | 02-13-2009            |
| JOB No:      | 07061-04-00           |

**ADDITIONAL DRAINAGE PLAN SHEET 3 OF 4**

SHEET 42 OF 151 SHEETS

K:\peoria\070610400\Draw\Sheets\1\_West\_South\_Fence\Phase 3 Sheets  
 FILE: WEST\_DRAINAGE\_PLAN\_04.dwg  
 DATE: 2/12/2009 8:18 AM