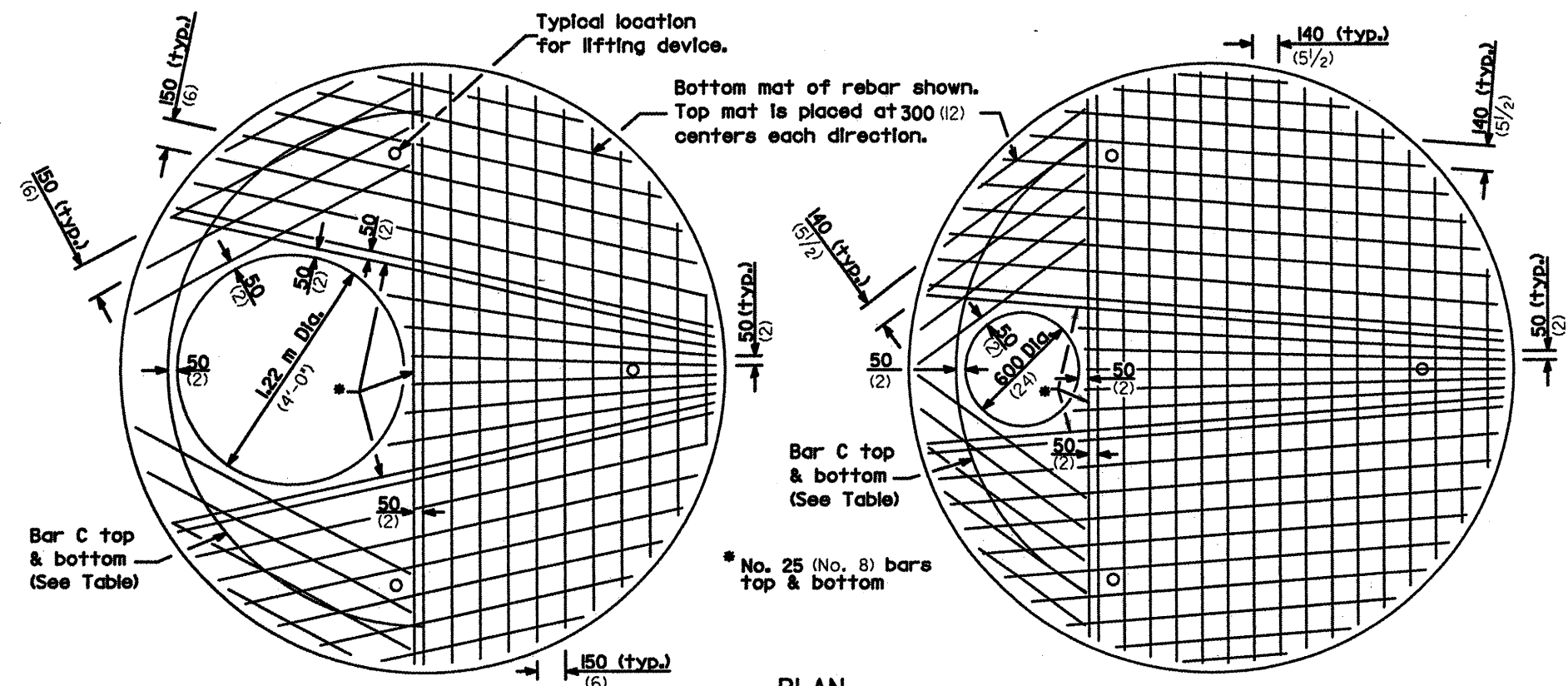
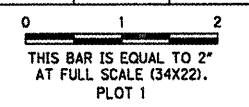
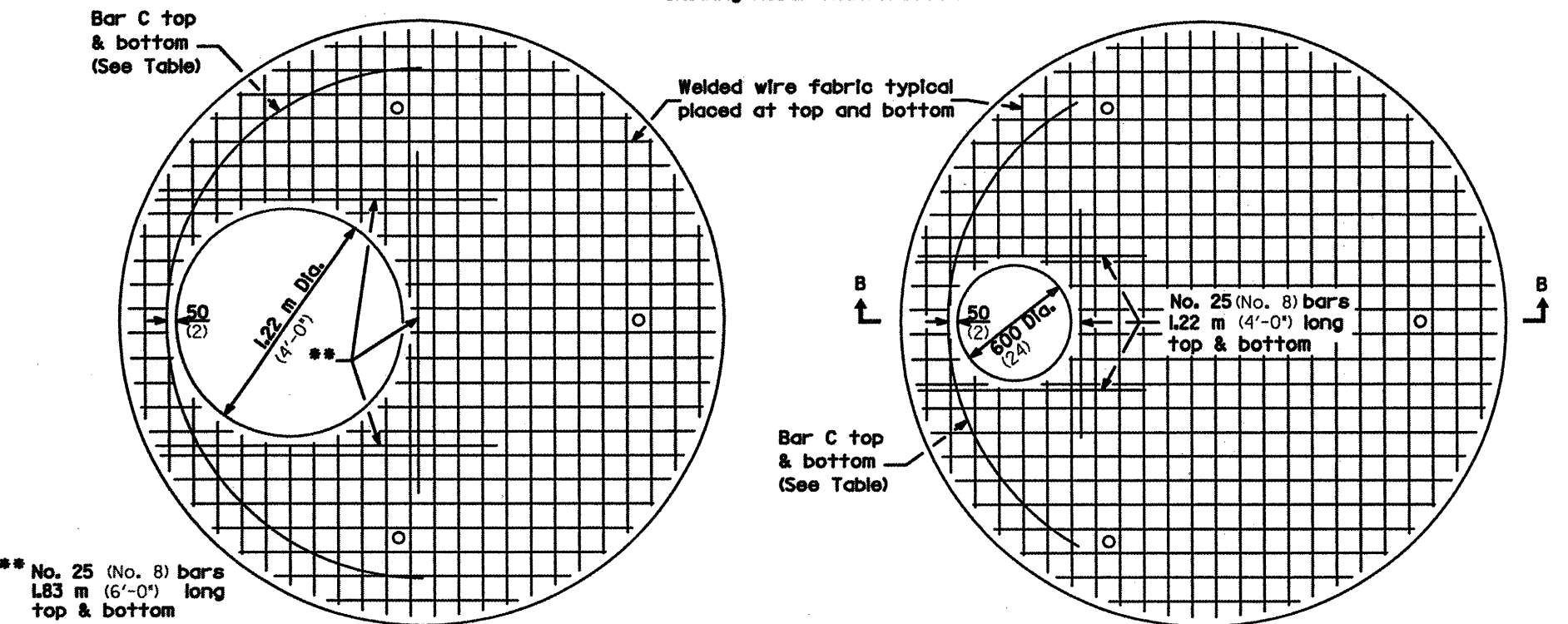


REVISIONS		
NUMBER	BY	DATE



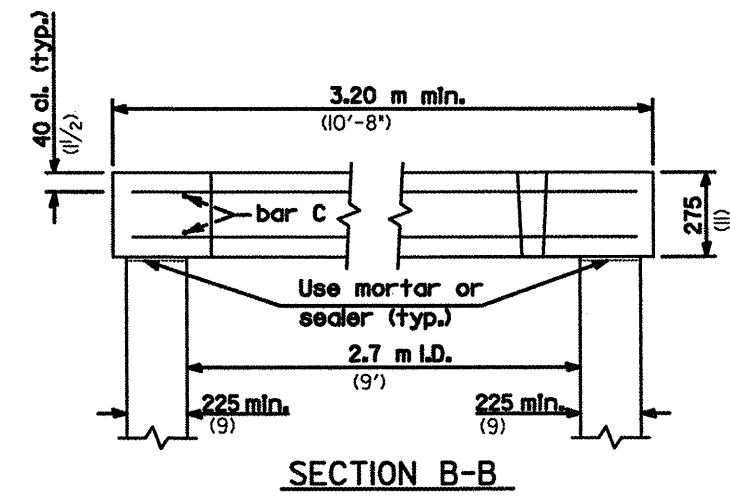
PLAN
Showing Rebar Reinforcement



PLAN
Showing Welded Wire Fabric Reinforcement

Diameter of opening	Reinforcement Bar Size	Reinforcement 'As' WWF each direction	No. 13 (No. 4) Bar C	
			Length	Radius
600 (24)	Bottom mat No. 25 (No. 8)	Bottom mat *** 3620 sq. mm/m (1.71) sq. in./ft.	2.90 m (9'-6")	1.372 m (4'-6")
	Top mat No. 13 (No. 4)	Top mat *** 510 sq. mm/m (0.24) sq. in./ft.		
1.2 m (4'-0")	Bottom mat No. 25 (No. 8)	Bottom mat *** 3325 sq. mm/m (1.57) sq. in./ft.	4.30 m (14'-2")	1.372 m (4'-6")
	Top mat No. 13 (No. 4)	Top mat *** 510 sq. mm/m (0.24) sq. in./ft.		

*** A maximum of two layers of welded wire fabric may be used to satisfy the required 'As' for each mat.



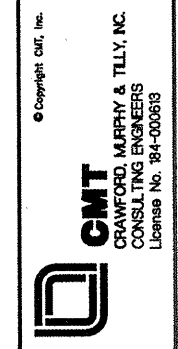
SECTION B-B

All dimensions are in millimeters (inches) unless otherwise shown.

MANHOLE TYPE A
2.7 m (9') DIAMETER
STANDARD 602421

GENERAL WAYNE A. DOWNING
PEORIA INTERNATIONAL AIRPORT

CONSTRUCT NEW PERIMETER ROAD AND PERIMETER FENCE - PROJECT 3



IL PROJECT: PIA-3865
AIP PROJ: 3-17-0080-XX

FILE: MANHOLE TYPEA 9INDIA-1
DESIGN BY: T.JH/SMS
DRAWN BY: CMT
CHECKED BY: CET
APPROVED BY: CET
DATE: 02-13-2009
JOB No: 07061-04-00

K:\Peoria\070610400\Draw\Sheets\1_West_South_Fence\Phase 3 Sheets
FILE: Manhole-TypeA9INDIA-1.dwg
DATE: 2/12/2009 10:05 AM