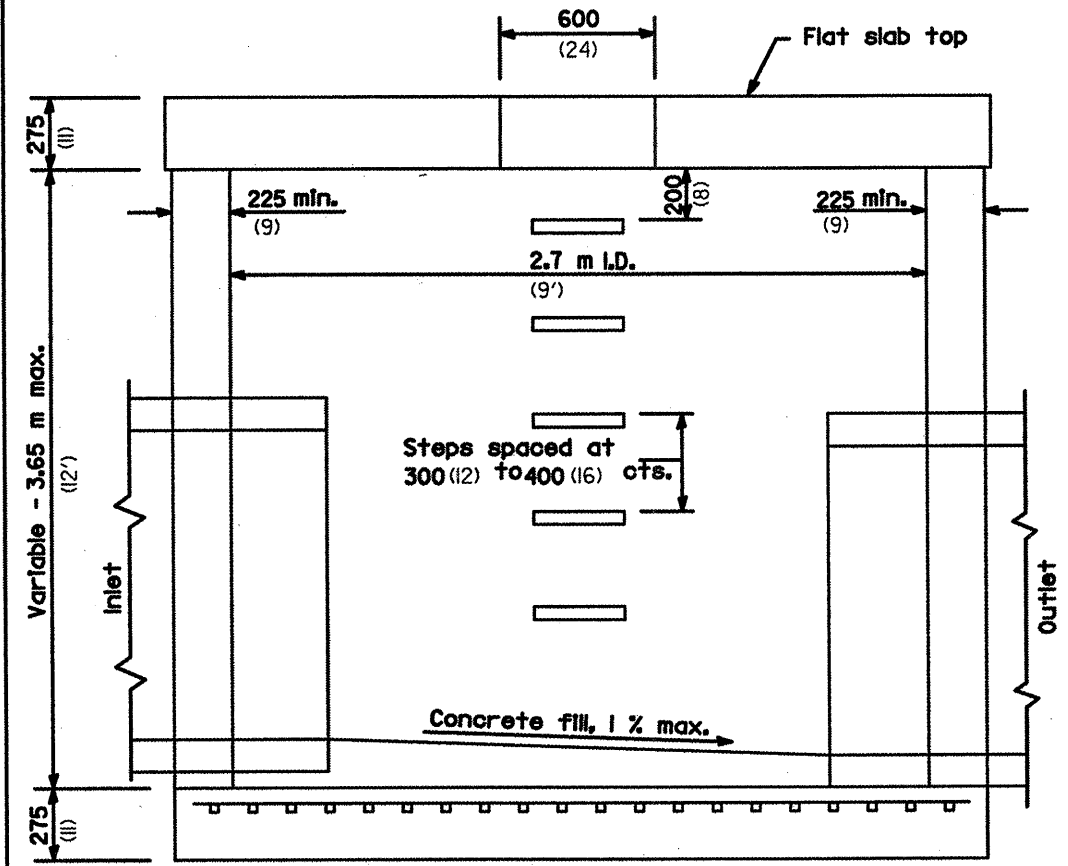
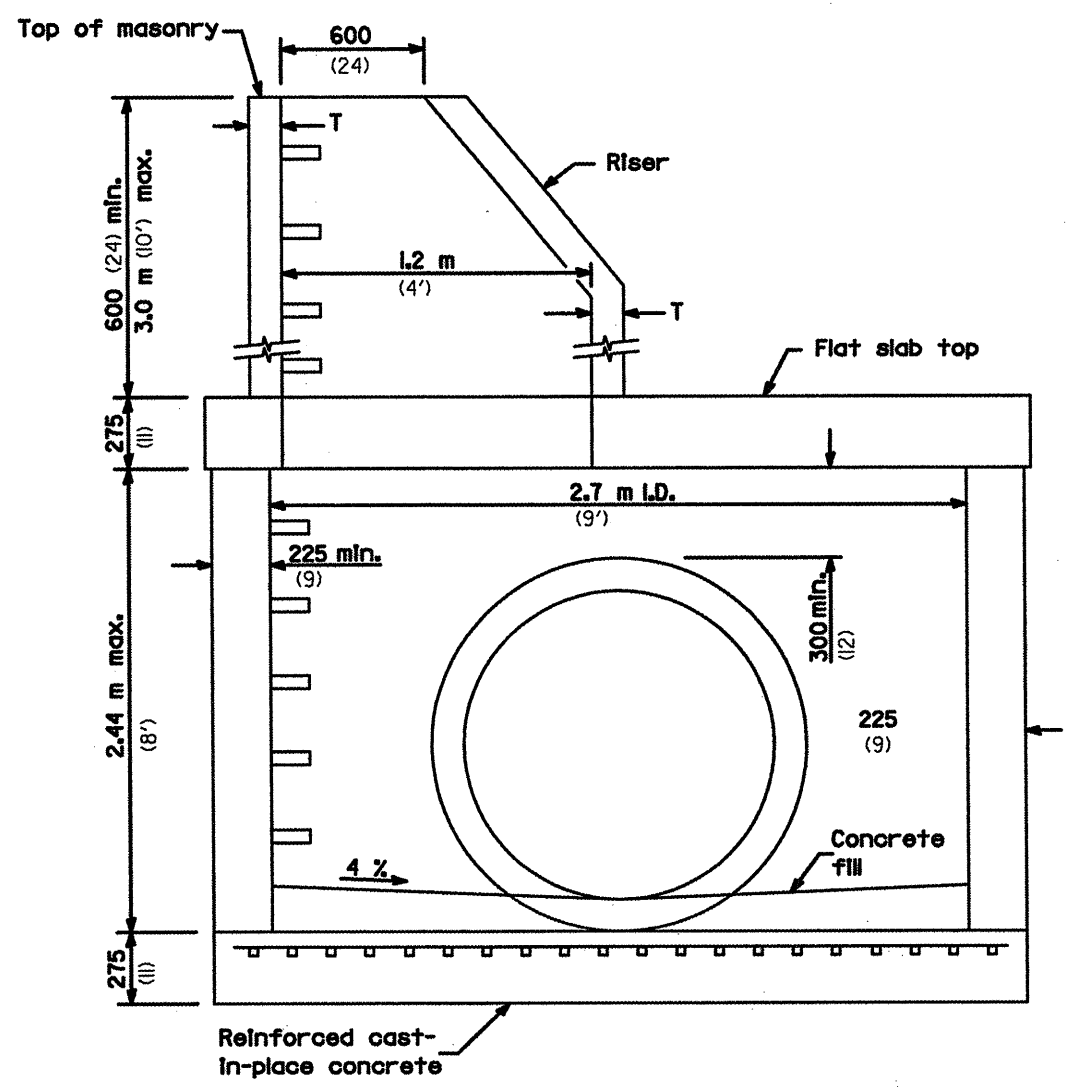


REVISIONS		
NUMBER	BY	DATE

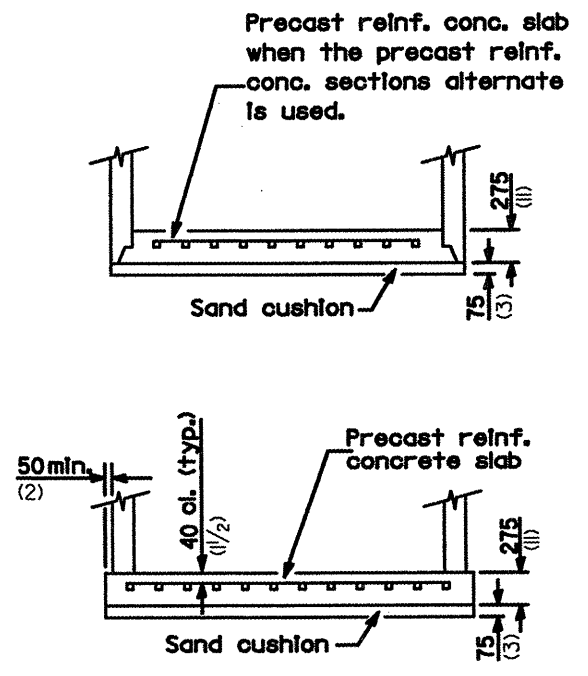
0 1 2
THIS BAR IS EQUAL TO 2" AT FULL SCALE (34x22).
PLOT 1



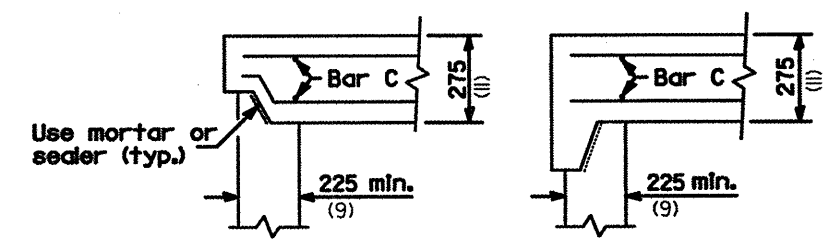
ELEVATION
(With Flat Slab Top Only)



ELEVATION
(With Flat Slab Top and Riser)



ALTERNATE BOTTOM SLABS



ALTERNATE JOINT CONFIGURATIONS

ALTERNATE MATERIALS FOR RISER WALLS	T (min)
Concrete Masonry Units	125 (5)
Precast Reinforced Concrete Sections	100 (4)
Cast-In-Place Concrete	150 (6)

GENERAL NOTES

Joint configuration and dimensions of flat slab top shall match and fit the riser joint detail.

Lifting devices shall be approved by the Engineer.

Bottom slabs shall be reinforced with a minimum of 1420 sq. mm/m (0.67 sq. in./ft.) in both directions.

See Standard 602701 for details of manhole steps.

All dimensions are in millimeters (inches) unless otherwise shown.

MANHOLE TYPE A
2.7 m (9') DIAMETER
STANDARD 602421

GENERAL WAYNE A. DOWNING
PEORIA INTERNATIONAL AIRPORT
CONSTRUCT NEW PERIMETER ROAD AND PERIMETER FENCE - PROJECT 3

© Copyright CMT, Inc.
CMT
CRAWFORD, MURPHY & TILLY, INC.
CONSULTING ENGINEERS
License No. 784-000618

IL PROJECT: PIA-3865
AIP PROJ 3-17-0080-XX

FILE:	
DESIGN BY:	TJH/SMS
DRAWN BY:	CMT
CHECKED BY:	CET
APPROVED BY:	CET
DATE:	02-13-2009
JOB No:	07061-04-00

MANHOLE DETAILS
SHEET 3 OF 3
SHEET 49 OF 151 SHEETS