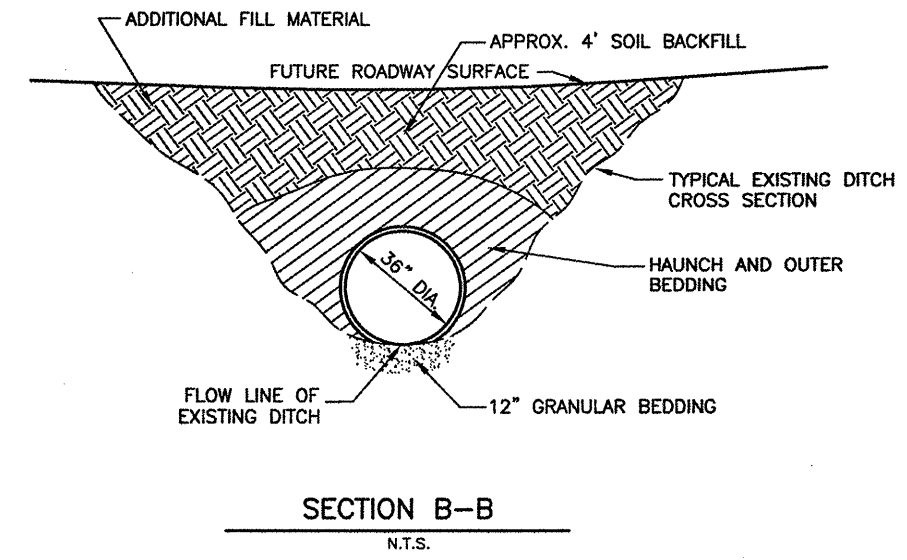
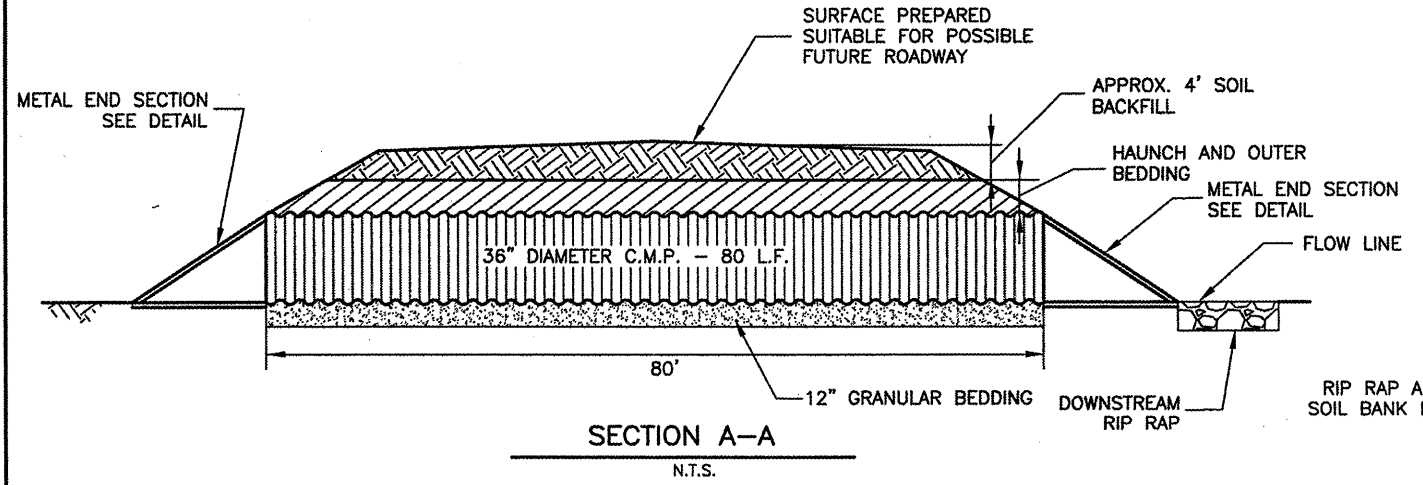
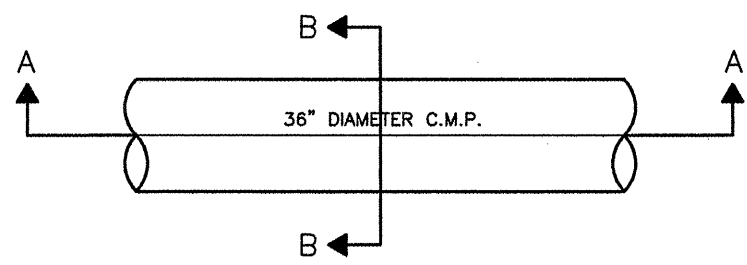


REVISIONS		
NUMBER	BY	DATE

0 1 2
THIS BAR IS EQUAL TO 2"
AT FULL SCALE (34X22).
PLOT 1

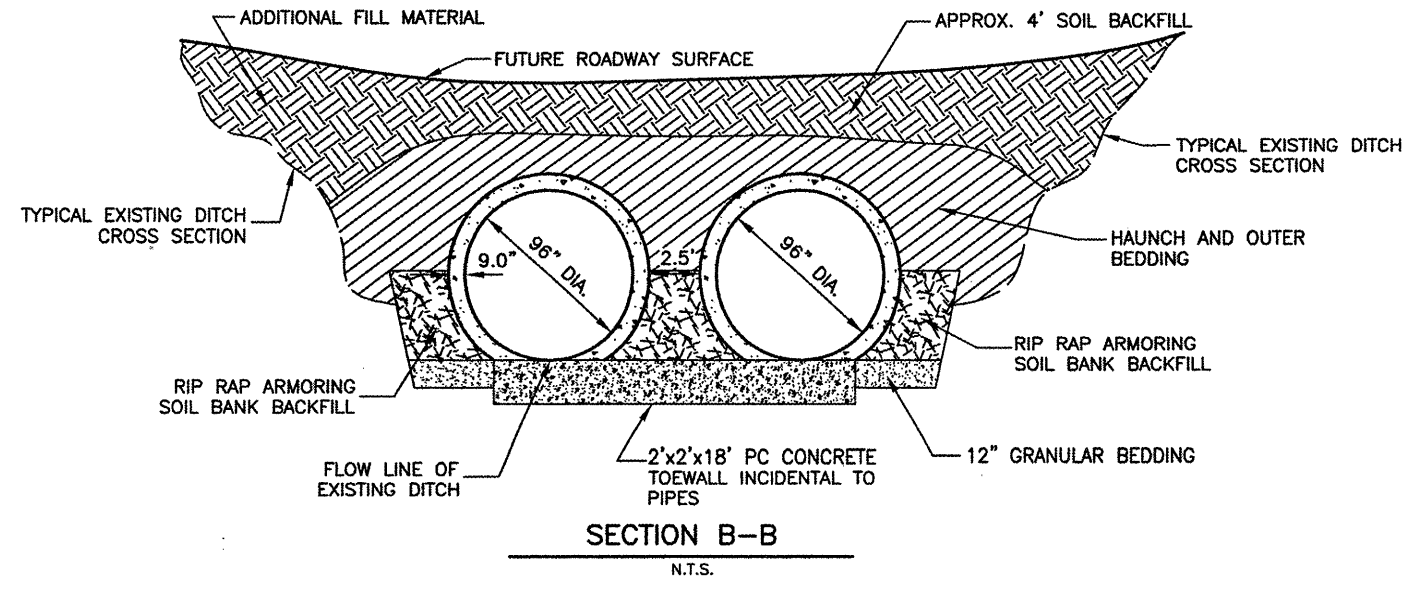
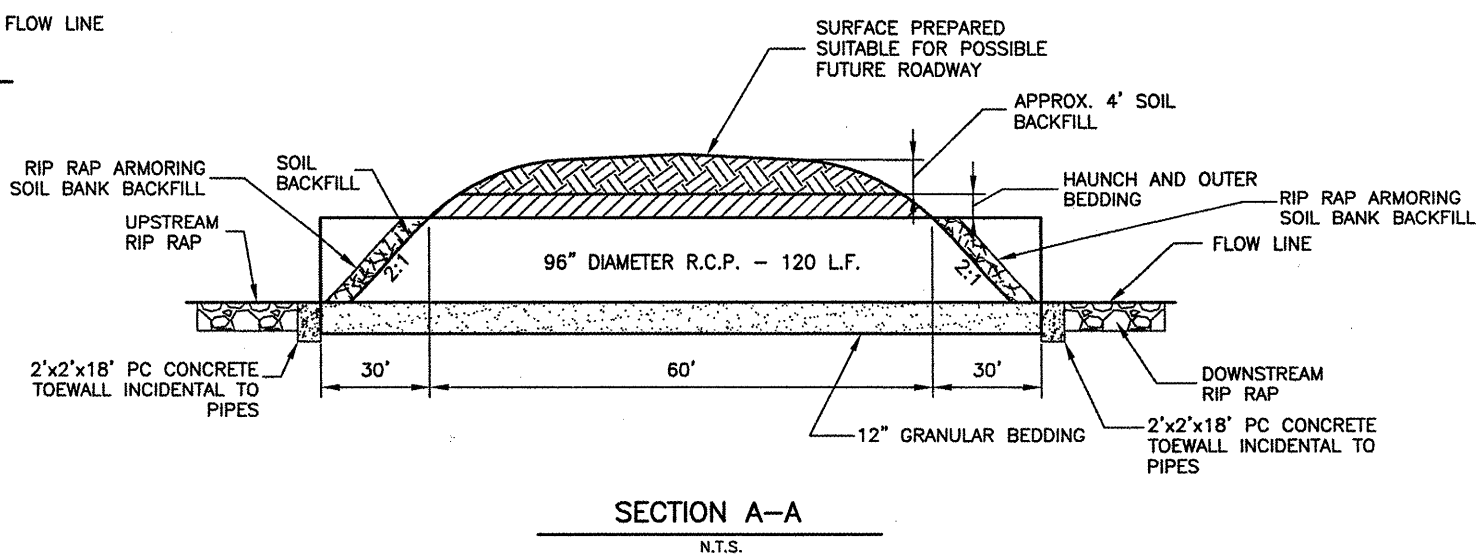
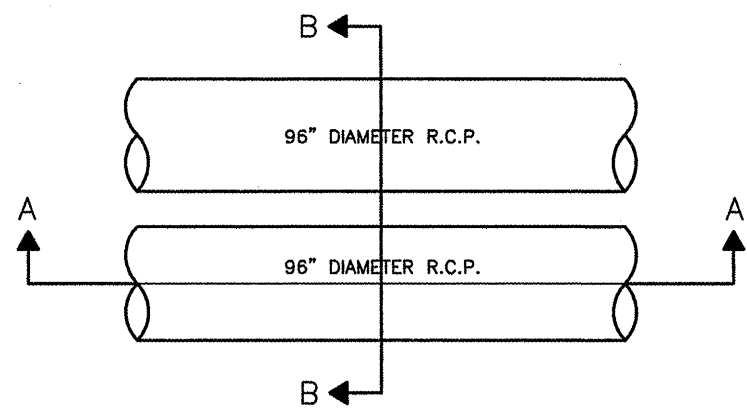
36" C.M.P. CULVERT DETAIL

N.T.S.



DOUBLE 96" R.C.P. CULVERT DETAIL

N.T.S.



GENERAL WAYNE A. DOWNING
PEORIA INTERNATIONAL AIRPORT
CONSTRUCT NEW PERIMETER ROAD AND
PERIMETER FENCE - PROJECT 3

Copyright CMT, Inc.
CMT
CRAWFORD, MURPHY & TILLY, INC.
CONSULTING ENGINEERS
License No. 84-00613

IL PROJECT: PIA-3865
AIP PROJ: 3-17-0080-XX

FILE:	96 DIA PIPE DETAIL
DESIGN BY:	TJH/SMS
DRAWN BY:	CMT
CHECKED BY:	CET
APPROVED BY:	CET
DATE:	02-13-2009
JOB No:	07061-04-00

DRAINAGE DETAILS
SHEET 3 OF 3

K:\Perimeter\070610400\Draw\Sheet3\West_South_Fence\Phase 3 Sheets
FILE: 96 DIA PIPE DETAIL.dwg
DATE: 2/11/2009 3:29 PM