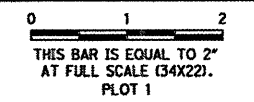
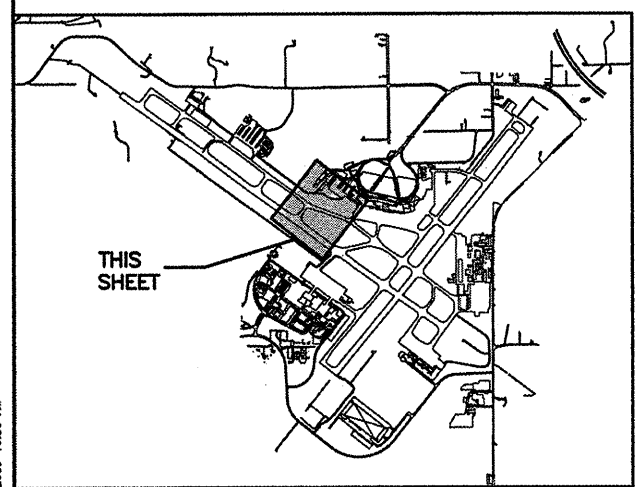
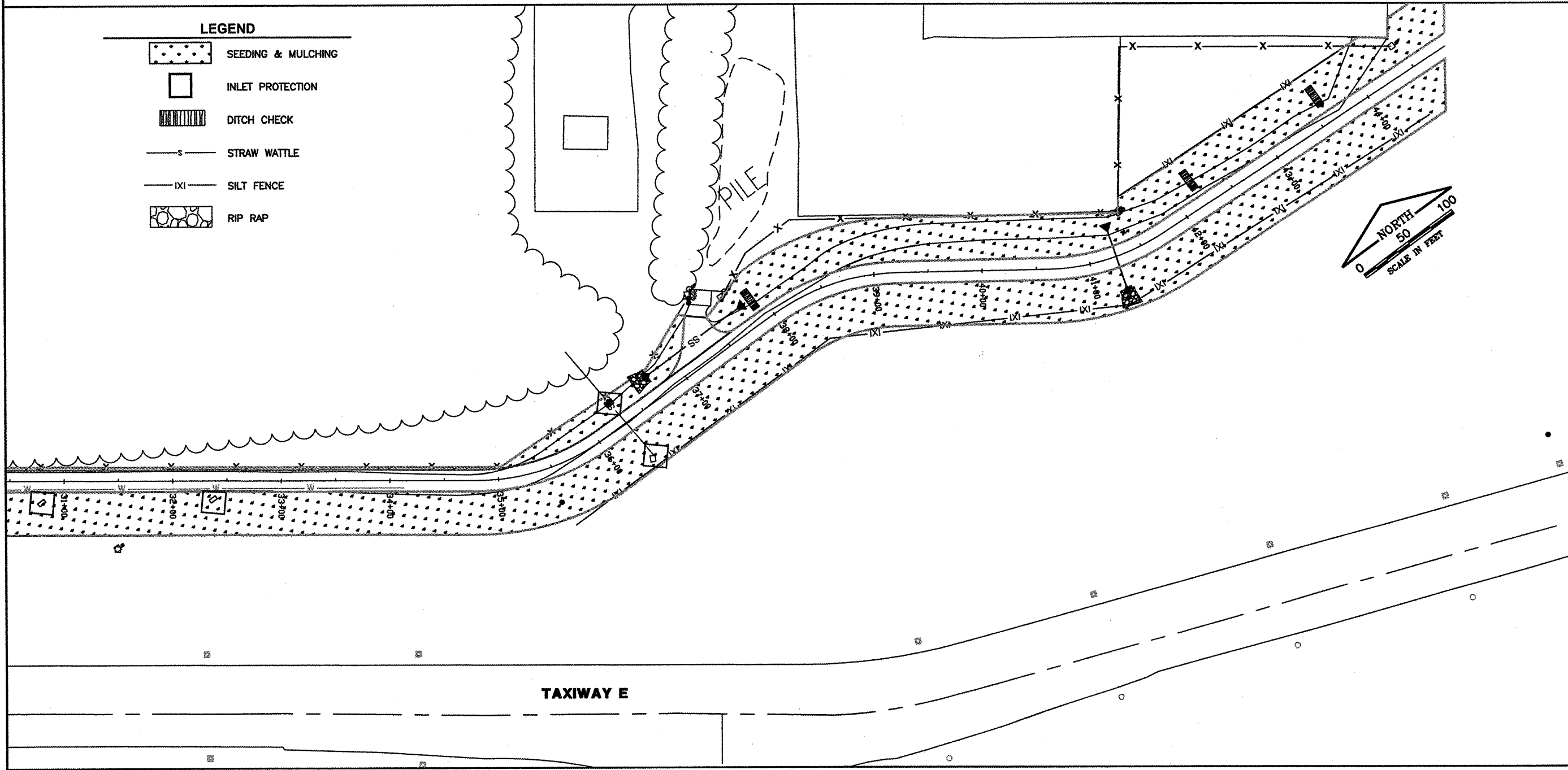


NUMBER	BY	DATE



- LEGEND**
- SEEDING & MULCHING
 - INLET PROTECTION
 - DITCH CHECK
 - STRAW WATTLE
 - SILT FENCE
 - RIP RAP



KEY MAP

CONSTRUCT NEW PERIMETER ROAD AND PERIMETER FENCE - PROJECT 3

GENERAL WAYNE A. DOWNING
PEORIA INTERNATIONAL AIRPORT

© Copyright CMT, Inc.
CMT
CRAWFORD, MURPHY & TILLY, INC.
CONSULTING ENGINEERS
License No. 84-000513

PROJECT: PIA-3865
AIP PROJ: 3-17-0080-XX

FILE:	WEST_INDXSEC_03
DESIGN BY:	TJH/SMS
DRAWN BY:	CMT
CHECKED BY:	CET
APPROVED BY:	CET
DATE:	02-13-2009
JOB No:	07061-04-00

WEST TURFING PLAN
SHEET 3 OF 3

K:\Peoria\070610400\Draw\Sheets\1 - West_South_Fence\Phase 3 Sheets
FILE: WEST_INDXSEC_03.dwg
DATE: 2/12/2009 10:38 AM