

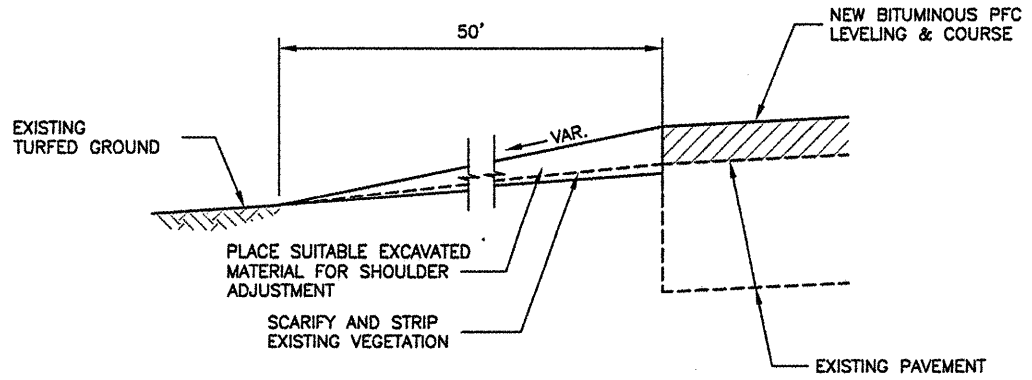
REVISIONS		
NUMBER	BY	DATE

0 1 2
 THIS BAR IS EQUAL TO 2"
 AT FULL SCALE (34x22).

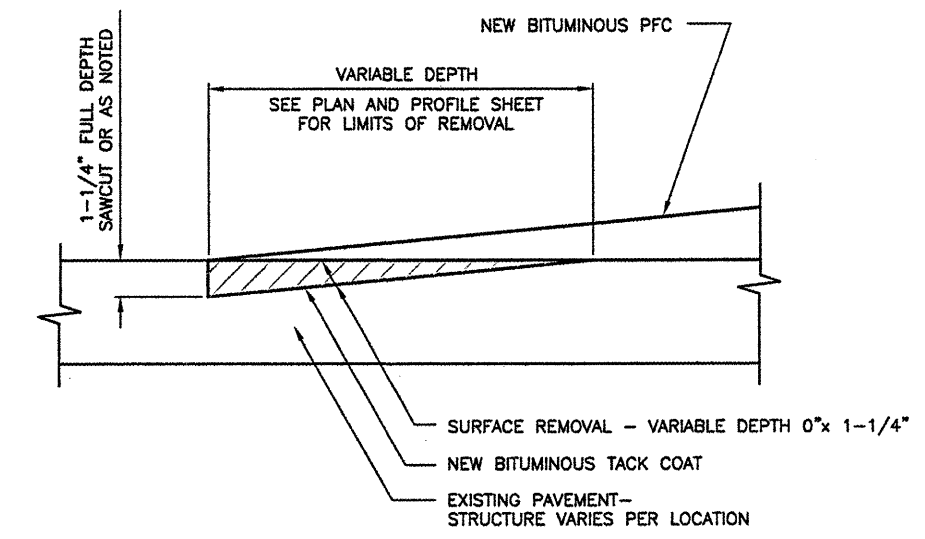
SPARTA COMMUNITY AIRPORT
 HUNTER FIELD
 SPARTA, ILLINOIS
 WIDEN AND OVERLAY RUNWAY 18/36
 TYPICAL SECTIONS
 &
 PAVING DETAILS

© Copyright CMT, Inc.
CMT
 CRAWFORD, MARRRY & TILLY, INC.
 CONSULTING ENGINEERS
 License No. 184-000813

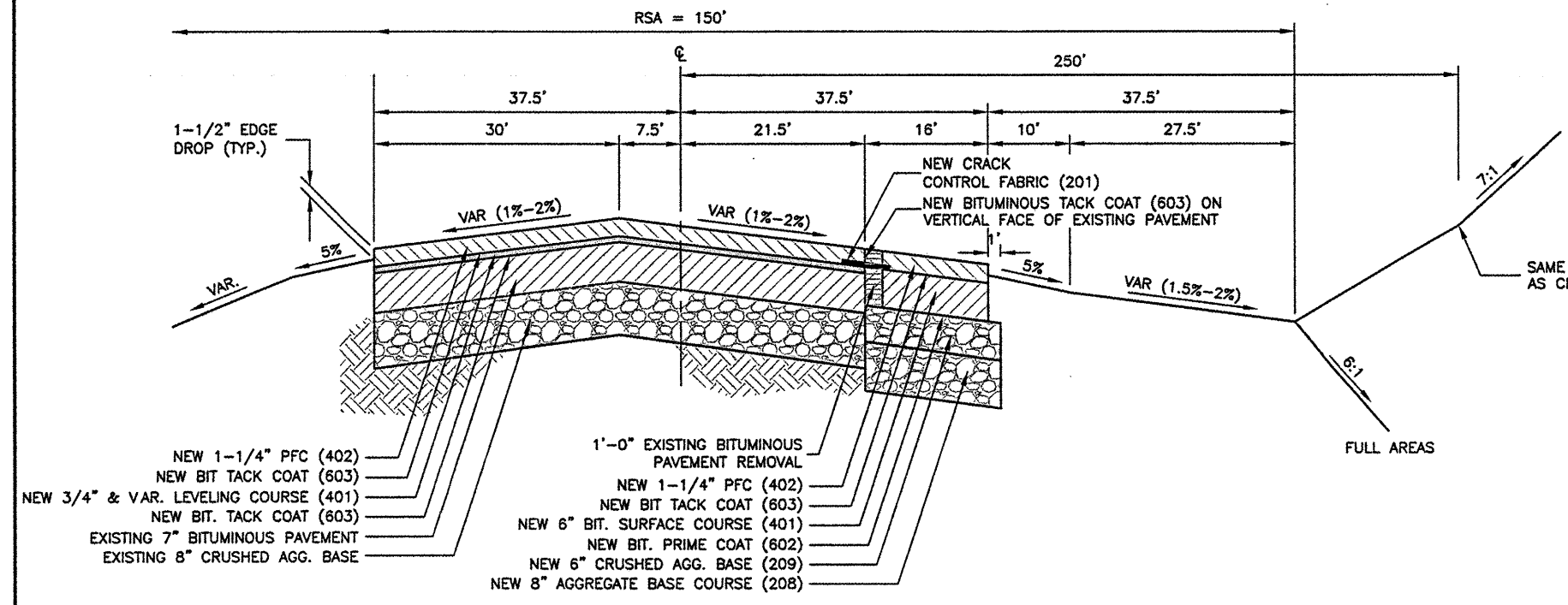
DESIGN BY:	KLB
DRAWN BY:	CMT
CHECKED BY:	JEF
APPROVED BY:	JEF
DATE:	12/31/2008
JOB No:	0641203
IL PROJ. NO.	SAR-3652
AIP PROJ. NO.	3-17-0094-B9
SHEET 04 OF 28 SHEETS	



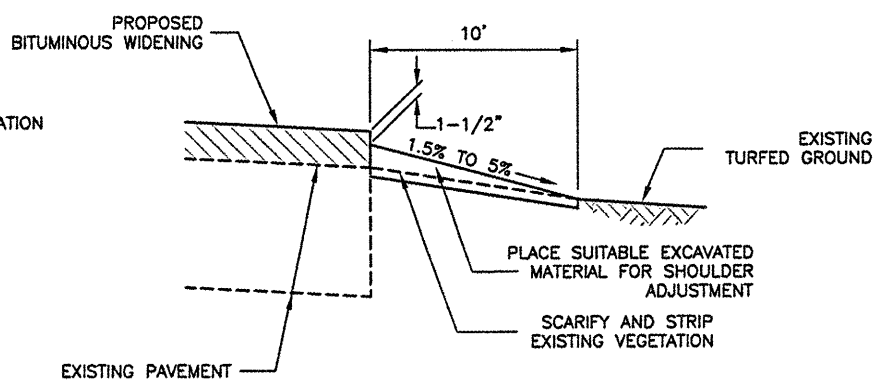
TURF / RUNWAY INTERSECTION TRANSITION DETAIL
 N.T.S.



BUTT JOINT DETAIL
 N.T.S.



SECTION A-A
 N.T.S.



SHOULDER ADJUSTMENT DETAIL
 N.T.S.