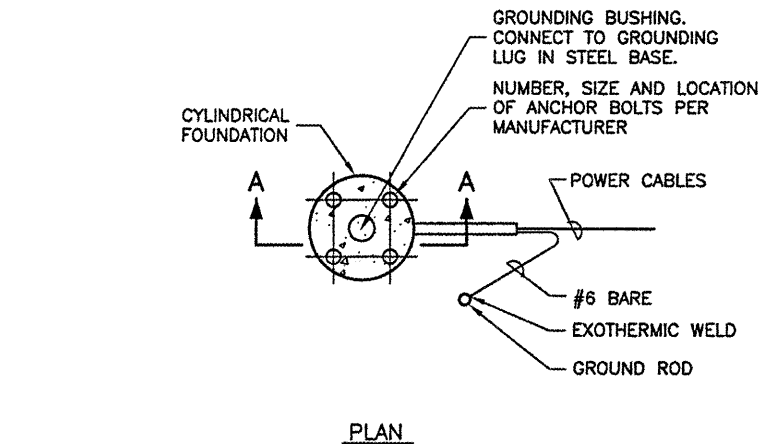


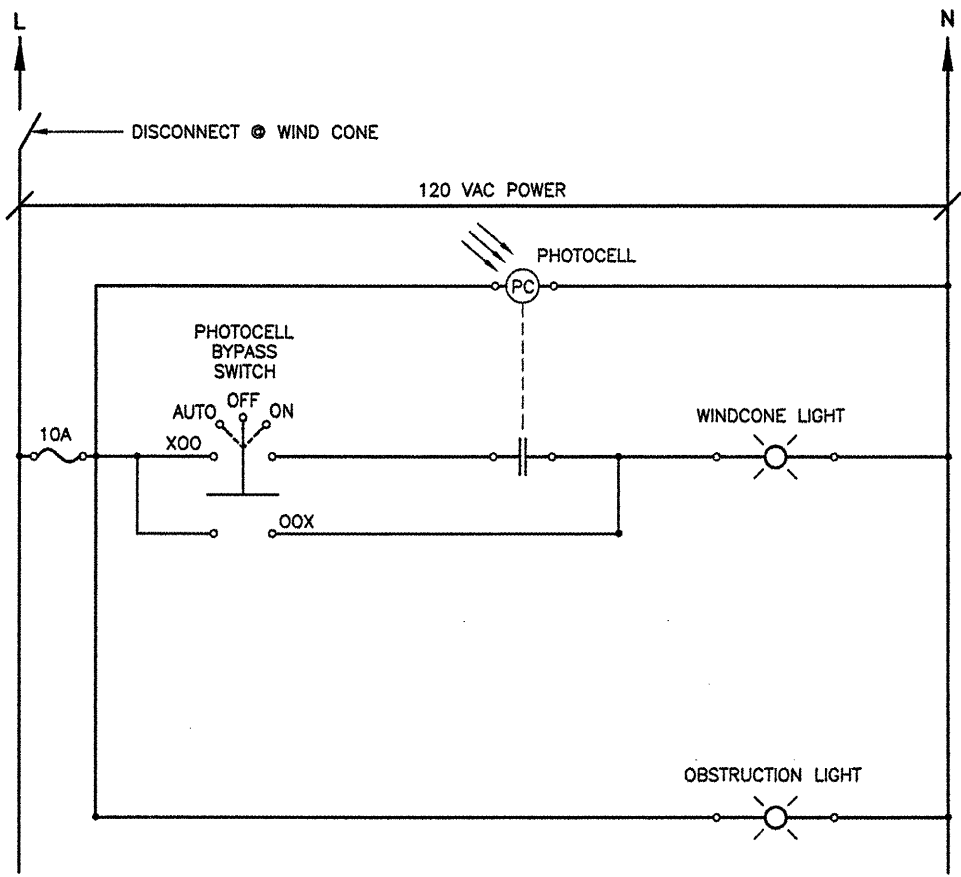
L-807 WIND CONE DETAIL
N.T.S.

WINDCONE SHALL BE HALI-BRITE L-807-S1-EX-120-DN-N OR EQUIVALENT. MAXIMUM LIGHTING POWER 200W.

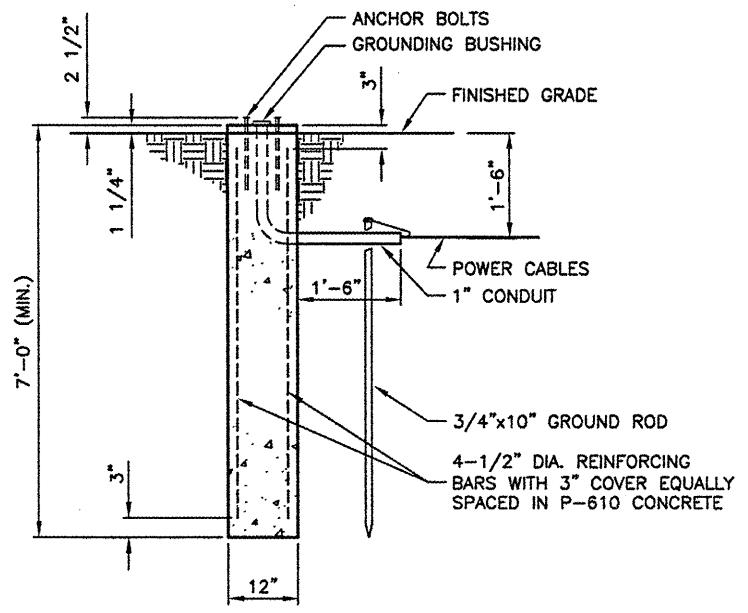


PLAN

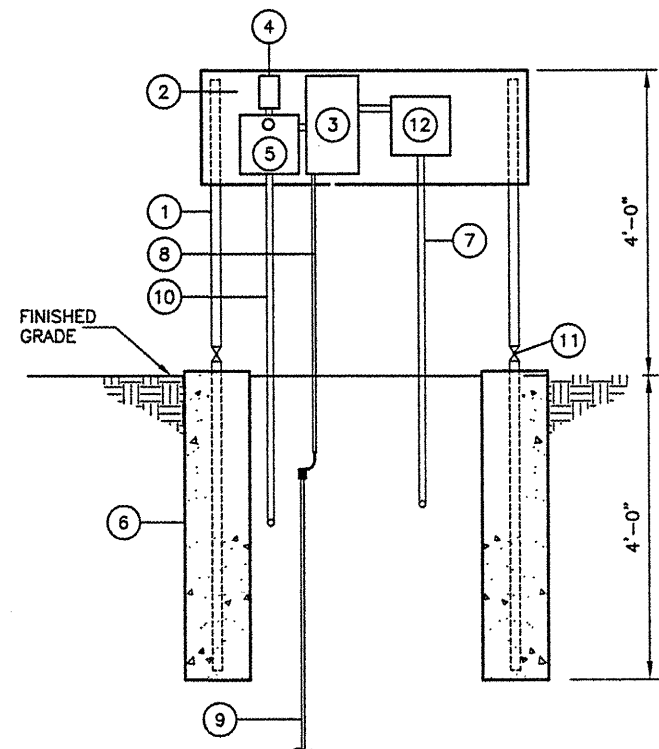
WIND CONE FOUNDATION
N.T.S.



WIND CONE SCHEMATIC
N.T.S.



SECTION A-A

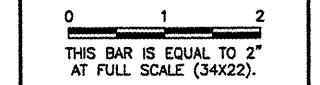


WIND CONE POWER DETAIL
N.T.S.

- WIND CONE POWER LEGEND**
- 2" ALUMINUM SUPPORT POST (TYP. OF 2). PROVIDE CAP AT EACH END. WHERE SUPPORT POST IS EMBEDDED IN CONCRETE, IT SHALL RECEIVE ONE COAT, 8 DRY MILS, COAL TAR EPOXY, EPOXYSYSTEMS #210 COAL TAR EPOXY COATING, OR EQUIVALENT.
 - MINIMUM 1/8" THICK ALUMINUM MOUNTING PANEL, SIZED AS REQUIRED TO MOUNT EQUIPMENT.
 - HEAVY-DUTY 30A, 600V UNFUSED DISCONNECT IN NEMA 3R ENCLOSURE, SQUARE D HU361RB, OR EQUIVALENT (NOTE: ONLY ONE POLE OF DISCONNECT WILL BE USED). PROVIDE GROUND LUGS. PROVIDE LABEL READING: "WIND CONE DISCONNECT".
 - WIND CONE PHOTOCELL, TORK MODEL #2101, OR EQUIVALENT. (NOTE: PHOTOCELL OPERATION IS AS FOLLOWS: DURING THE DAYTIME THE WIND CONE LIGHTS ARE OFF AND THE OBSTRUCTION LIGHT IS ON; AFTER DARK THE WIND CONE LIGHTS AND OBSTRUCTION LIGHT ARE ON.)
- IMPORTANT NOTE:**
LOCATE DISCONNECT/PHOTOCELL INSTALLATION NEAR WIND CONE SUCH THAT WIND CONE LIGHTS WILL NOT ADVERSELY AFFECT THE PHOTOCELL OPERATION.
- NEMA 4 JUNCTION BOX SIZED AS REQUIRED TO HOUSE 10A IN-LINE FUSE AND PHOTOCELL BYPASS SELECTOR SWITCH. PROVIDE LABELS READING: "PHOTOCELL BYPASS" OVER SELECTOR SWITCH AND "FUSE INSIDE" BELOW SELECTOR SWITCH. (SEE WIND CONE SCHEMATIC.)
 - 12" DIAMETER x 4'-0" DEEP (MIN.) CONCRETE FOUNDATION.
 - 2 #10 USE, ONE #10 USE GROUND TO EXISTING PANELBOARD IN LIGHTING VAULT FOR WC-1, TO PAPI CONTROL FOR WC-2. MINIMUM BURY: 24". INSTALL IN 3/4" GRSC TO MINIMUM OF 5' FROM DISCONNECT. ADAPT GRSC TO UNIT DUCT AND DIRECT BURY CABLE IN UNIT DUCT BACK TO LIGHTING VAULT FOR WC-1, TO PAPI CONTROL RACK FOR WC-2.
 - ONE #8 GROUND IN 1/2" PVC CONDUIT TO 1" BELOW GRADE.
 - 3/4" DIAMETER x 10' LONG COPPERCLAD GROUND ROD, MINIMUM BURY: 1'-0". BOND GROUND WIRE TO GROUND ROD USING EXOTHERMIC WELD, CADWELD, OR EQUIVALENT. CLAMPED CONNECTIONS SHALL NOT BE ACCEPTABLE.
 - TWO #12 USE (OBSTRUCTION LIGHT POWER), TWO #12 USE (WIND CONE LIGHT POWER), ONE #12 USE GROUND TO WIND CONE. MINIMUM BURY: 24". INSTALL IN 1" GRSC TO MINIMUM OF 5' FROM JUNCTION BOX. INSTALL INSULATING BUSHING AND SEAL CONDUIT END TO MAKE WATERTIGHT. DIRECT BURY REMAINING CABLES TO WIND CONE.
 - FRANGIBLE COUPLING (TYP. OF 2).
 - WEATHER PROOF 1 KVA SINGLE PHASE XFMR, 240V PRIMARY, 120V SECONDARY, SQUARE D 1S1F LF OR EQUIVALENT FOR WC-1. AT WC-2 NO TRANSFORMER WILL BE INSTALLED.

K:\Sparta\0641203 Widen Runway\Draw\Sheets
FILE: WINDCONE DETAILS.dwg
UPDATE BY: Jim Raubach
PLOT DATE: 1/5/2009 1:51 PM

REVISIONS		
NUMBER	BY	DATE



SPARTA COMMUNITY AIRPORT
HUNTER FIELD
SPARTA, ILLINOIS
WIDEN AND OVERLAY RUNWAY 18/36
WIND CONE DETAILS

© Copyright CMT, Inc.
CMT
 CRAIGFORD MARRIAGE & TILLY, INC.
 CONSULTING ENGINEERS
 License No. 04-000593

DESIGN BY:	TM
DRAWN BY:	CMT
CHECKED BY:	JEF
APPROVED BY:	JEF
DATE:	12/31/2008
JOB No:	0641203
IL PROJ. NO. SAR-3652	
AIP PROJ. NO. 3-17-0094-B9	
SHEET 13 OF 28 SHEETS	