

STATE OF ILLINOIS
DEPARTMENT OF TRANSPORTATION
DIVISION OF HIGHWAYS

**PROPOSED
HIGHWAY PLANS**

FOR INDEX OF SHEETS, SEE SHEET NO. 2

**ROUTE: VARIOUS EXPRESSWAYS AND ARTERIAL
HIGHWAYS – SOUTHERN PART, DISTRICT ONE**

SECTION: 2014-0771

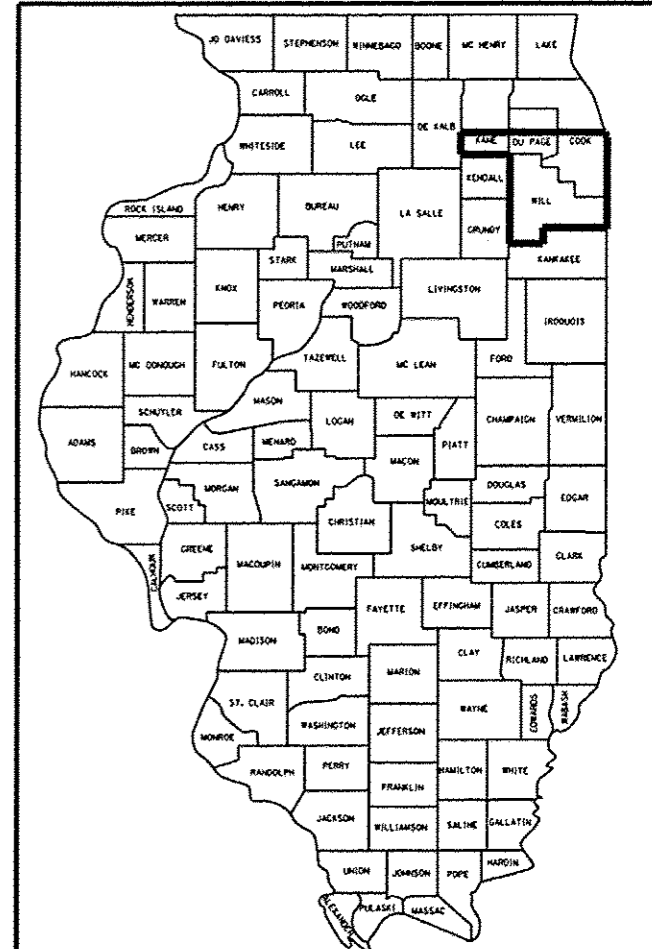
FENCE REPAIR

COUNTY: VARIOUS

C-91-104-15

F.A. RTE.	SECTION	COUNTY	TOTAL SHEETS	SHEET NO.
VAR	2014-0771	VARIOUS	13	1
		ILLINOIS	CONTRACT NO. 62A21	

D-91-104-15



THIS SECTION IS LOCATED ALONG VARIOUS ROUTES WITHIN THE DISTRICT ONE COUNTIES OF Mc HENRY, LAKE, KANE, DU PAGE, COOK AND WILL.

**SEE LOCATION MAPS
SHEETS 4 THRU 7**

C.U.A.N.
CHICAGO UTILITY ALERT NETWORK
1-312-744-7000

J.U.L.I.E.
JOINT UTILITY LOCATION INFORMATION FOR EXCAVATION
1-800-892-0123
OR 811

PROJECT ENGINEER: J. ALAIN MIDY (847) 221-3056
PROJECT MANAGER: ISSAM RAYYAN (847) 705-4178

CONTRACT NO. 62A21

STATE OF ILLINOIS
DEPARTMENT OF TRANSPORTATION
DIVISION OF HIGHWAYS

SUBMITTED October 29, 2014
John P. ...
DEPUTY DIRECTOR OF HIGHWAYS, REGION ENGINEER

Jan 30, 2015
John D. Baranzelli, P.E.
ENGINEER OF DESIGN AND ENVIRONMENT

Jan 30, 2015
Cher Osman, P.E.
DIRECTOR OF HIGHWAYS, CHIEF ENGINEER

**PRINTED BY THE AUTHORITY
OF THE STATE OF ILLINOIS**

INDEX OF SHEETS

1. TITLE SHEET
2. INDEX OF SHEETS
LIST OF APPLICABLE STATE STANDARDS
3. SUMMARY OF QUANTITIES
4. COOK COUNTY (SOUTH OF ILL 38) LOCATION MAP
5. DUPAGE COUNTY (SOUTH OF ILL 38) LOCATION MAP
6. KANE COUNTY (SOUTH OF ILL 38) LOCATION MAP
7. WILL COUNTY LOCATION MAP
8. DETAILS OF PEDESTRIAN BARRIER TYPE III (STD. 10-SS-514R)
9. CHAIN LINK FENCE (STD. 10-SS-506B)
10. CHAIN LINK FENCE POST SLEEVE REPAIR DETAIL
11. PROPOSED PEDESTRIAN BARRIER AND CHAIN LINK FENCE
WITH TENSION WIRE AND FENCE RAIL REMOVAL
12. SPECIAL FENCE DETAILS
13. TRAFFIC CONTROL DETAILS FOR SHOULDER CLOSURE AND
PARTIAL RAMP CLOSURES

GENERAL NOTES

1. BEFORE STARTING ANY EXCAVATION, THE CONTRACTOR SHALL CALL "J.U.L.I.E." AT (800) 892-0123 OR 811 FOR FIELD LOCATIONS OF BURIED ELECTRIC, TELEPHONE AND GAS UTILITIES. 48 HOUR NOTIFICATION IS REQUIRED.
2. THE CONTRACTOR SHALL CONTACT THE DISTRICT ONE TRAFFIC CONTROL SUPERVISOR AT (847) 705-4155 FOR EXPRESSWAYS AND (847) 705-4470 FOR ARTERIALS, A MINIMUM OF 72 HOURS IN ADVANCE OF BEGINNING WORK.

STATE STANDARDS

DESCRIPTION

664001-02	CHAIN LINK FENCE
665001-02	WOVEN WIRE FENCE
701001-02	OFF-RD OPERATIONS, 2L, 2W, MORE THAN 15' AWAY
701006-05	OFF-RD OPERATIONS, 2L, 2W, 15' TO 24" FROM PAVEMENT EDGE
701101-04	OFF-RD OPERATIONS, MULTILANE, 15' TO 24" FROM PAVEMENT EDGE
701106-02	OFF-RD OPERATIONS, MULTILANE, MORE THAN 15' AWAY
701201-04	LANE CLOSURE, 2L, 2W, DAY ONLY, FOR SPEEDS > 45 MPH
701301-04	LANE CLOSURE, 2L, 2W, SHORT TIME OPERATIONS
701421-07	LANE CLOSURE, MULTILANE, DAY OPERATIONS ONLY, FOR SPEEDS > 45 MPH TO 55 MPH
701422-07	LANE CLOSURE, MULTILANE, FOR SPEEDS > 45 MPH TO 55 MPH
701501-06	URBAN LANE CLOSURE, 2L, 2W, UNDIVIDED
701606-10	URBAN LANE CLOSURE, MULTILANE, 2W WITH MOUNTABLE MEDIAN
701701-09	URBAN LANE CLOSURE, MULTILANE INTERSECTION
701801-05	SIDEWALK, CORNER OR CROSSWALK CLOSURE
701901-04	TRAFFIC CONTROL DEVICES

FILE NAME *	USER NAME * Gorengautab	DESIGNED -	REVISED -	STATE OF ILLINOIS DEPARTMENT OF TRANSPORTATION	INDEX OF SHEETS AND STATE STANDARDS			F.A. RTE.	SECTION	COUNTY	TOTAL SHEETS	SHEET NO.
c:\pwork\pavdot\gorengautab\0416246	0110415-Design.dgn	DRAWN -	REVISED -					VAR	2014-0771	VARIOUS	13	2
Default	PLOT SCALE * 100.0000 1 / in.	CHECKED -	REVISED -		SCALE:			SHEET	OF	SHEETS	STA.	TO STA.
	PLOT DATE * 10/24/2014	DATE -	REVISED -		ILLINOIS FED. AID PROJECT CONTRACT NO. 62A21							

8/13/08

URBAN

SUMMARY OF QUANTITIES			URBAN CONSTRUCTION TYPE CODE				
CODE NO	ITEM	UNIT	TOTAL QUANTITIES	100% STATE	100% MCHD		
66400505	CHAIN LINK FENCE, 8'	FOOT	237	187	50		
66500105	WOVEN WIRE FENCE, 4'	FOOT	5280	4224	1056		
X6640100	FENCE RAIL REMOVAL	FOOT	2200	1760	440		
X6640300	CHAIN LINK FENCE REMOVAL	FOOT	55	44	11		
X6640309	CHAIN LINK GATES (SPECIAL)	SQ FT	770	616	154		
X6640590	CHAIN LINK FENCE POST SLEEVE REPAIR	EACH	44	35	9		
Z0009600	CHAIN LINK FABRIC, SPECIAL, 5'-0"	FOOT	22	18	4		
Z0009700	CHAIN LINK FABRIC, SPECIAL, 6'-0"	FOOT	1408	1162	246		
Z0009800	CHAIN LINK FABRIC, SPECIAL, 7'-0"	FOOT	9	7	2		
Z0009810	CHAIN LINK FABRIC, SPECIAL, 8'-0"	FOOT	66	53	13		
Z0009900	CHAIN LINK FABRIC, TYPE 1, 4'-0"	FOOT	18480	14784	3696		
Z0010300	CHAIN LINK FABRIC, TYPE 3, SPECIAL	FOOT	440	352	88		
Z0020210	PULL POST ARRANGEMENT	EACH	2	1	1		
Z0033200	LINE POST, TYPE 1	EACH	792	634	158		
Z0033305	LINE POST, TYPE 3 SPECIAL	EACH	22	18	4		
Z0042500	POST, SPECIAL	EACH	66	53	13		

SUMMARY OF QUANTITIES			URBAN CONSTRUCTION TYPE CODE				
CODE NO	ITEM	UNIT	TOTAL QUANTITIES	100% STATE	100% MCHD		
Z0042505	POST REMOVAL AND REPLACEMENT	EACH	6	5	1		
Z0074000	TERMINAL POST, TYPE 1	EACH	44	35	9		
Z0074010	TERMINAL POST, TYPE 3 SPECIAL	EACH	6	5	1		
3							

16

FILE NAME: C:\pe_1\proj\proj\gprangpuf01\046340\010415-04.dwg	USER NAME: Corangpud	DESIGNED -	REVISED -	STATE OF ILLINOIS DEPARTMENT OF TRANSPORTATION	SUMMARY OF QUANTITIES	F.A. RATE	SECTION	COUNTY	TOTAL SHEETS	SHEET NO.
PLOT SCALE: 1/8" = 1'-0"	CHECKED -	REVISED -	VAR			2014-0771	VARIOUS	13	3	
PLOT DATE: 10/24/2014	DATE -	REVISED -	SCALE: SHEET NO. OF SHEETS STA. TO STA.			FED. ROAD DIST. NO. 1 ILLINOIS FED. AID PROJECT		CONTRACT NO. 62A21		



DISTRICT NO. 1 MAINTENANCE DESIGNATIONS

- VARIOUS COLORS STATE HIGHWAYS & EXPRESSWAYS
- TOLLWAY
- CITY MAINTENANCE AGREEMENTS
- FUTURE HIGHWAYS
- VARIOUS AGENCIES HIGHWAYS

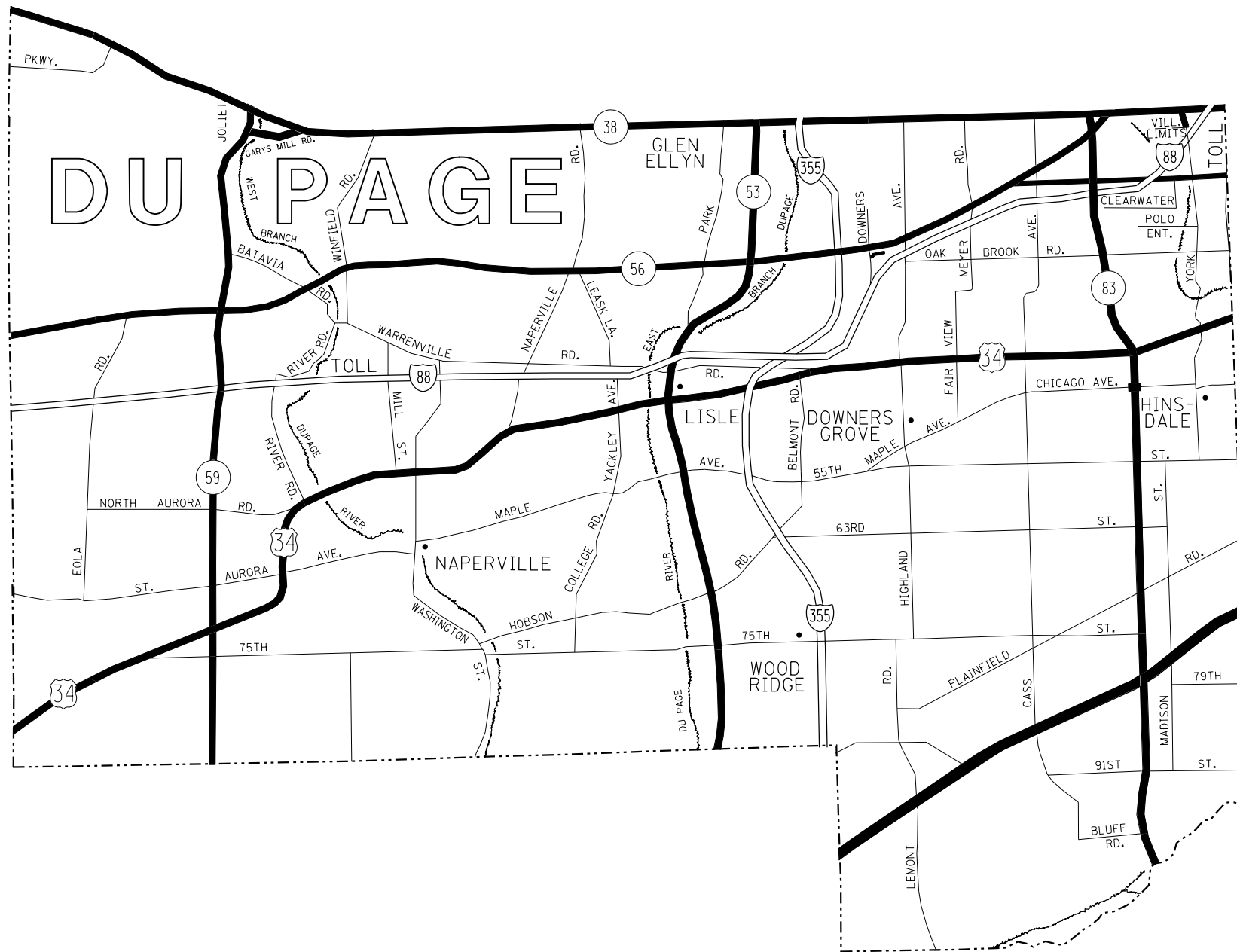
FILE NAME =	USER NAME = Gorengautab	DESIGNED -	REVISED -
c:\pw\work\p\d0416346\0110415-Design.dgn		DRAWN -	REVISED -
Default	PLOT SCALE = 100.0053' / in.	CHECKED -	REVISED -
	PLOT DATE = 10/24/2014	DATE -	REVISED -

**STATE OF ILLINOIS
DEPARTMENT OF TRANSPORTATION**

**FENCE REPAIR LOCATION MAP - COOK COUNTY
SOUTH OF IL RTE 38**

SCALE:	SHEET	OF	SHEETS	STA.	TO	STA.
--------	-------	----	--------	------	----	------

F.A. RTE.	SECTION	COUNTY	TOTAL SHEETS	SHEET NO.
VAR	2014-0771	VARIOUS	13	4
CONTRACT NO. 62A21				
ILLINOIS FED. AID PROJECT				



DISTRICT NO. 1
MAINTENANCE DESIGNATIONS

- VARIOUS COLORS STATE HIGHWAYS & EXPRESSWAYS
- TOLLWAY
- CITY MAINTENANCE AGREEMENTS
- FUTURE HIGHWAYS
- VARIOUS AGENCIES HIGHWAYS

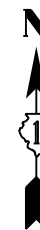
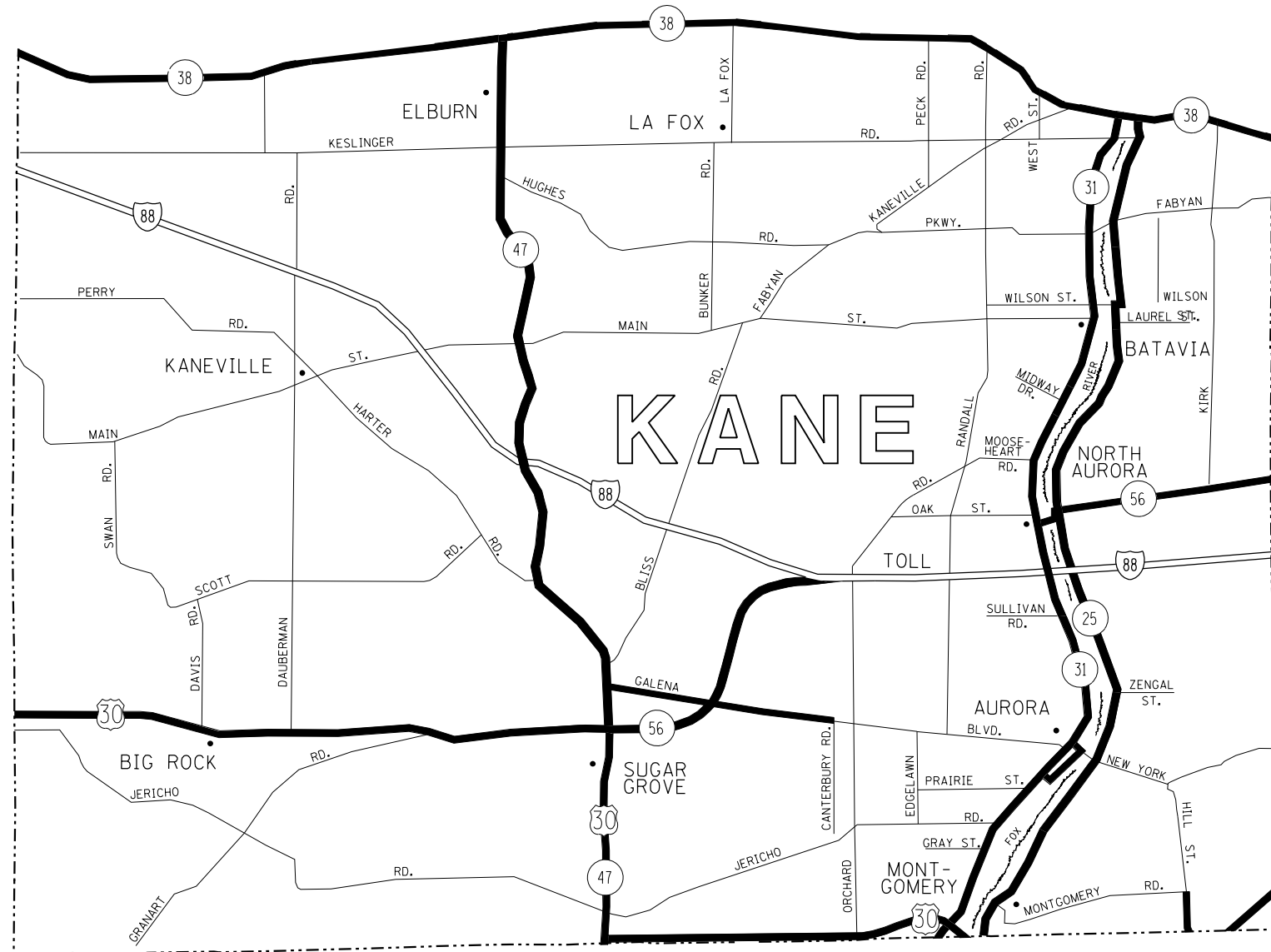
FILE NAME =	USER NAME = Gorengautab	DESIGNED -	REVISED -
c:\pwork\pwork\gorengautab\d0416346\0110415-Design.dgn		DRAWN -	REVISED -
Default	PLOT SCALE = 100.0000' / in.	CHECKED -	REVISED -
	PLOT DATE = 10/24/2014	DATE -	REVISED -

**STATE OF ILLINOIS
DEPARTMENT OF TRANSPORTATION**

**FENCE REPAIR LOCATION MAP - DuPAGE COUNTY
SOUTH OF IL RTE 38**

SCALE: SHEET OF SHEETS STA. TO STA.

F.A. RTE.	SECTION	COUNTY	TOTAL SHEETS	SHEET NO.
VAR	2014-0771	VARIOUS	13	5
CONTRACT NO. 62A21			ILLINOIS FED. AID PROJECT	



DISTRICT NO. 1
MAINTENANCE DESIGNATIONS

- VARIOUS COLORS STATE HIGHWAYS & EXPRESSWAYS
- TOLLWAY
- CITY MAINTENANCE AGREEMENTS
- FUTURE HIGHWAYS
- VARIOUS AGENCIES HIGHWAYS

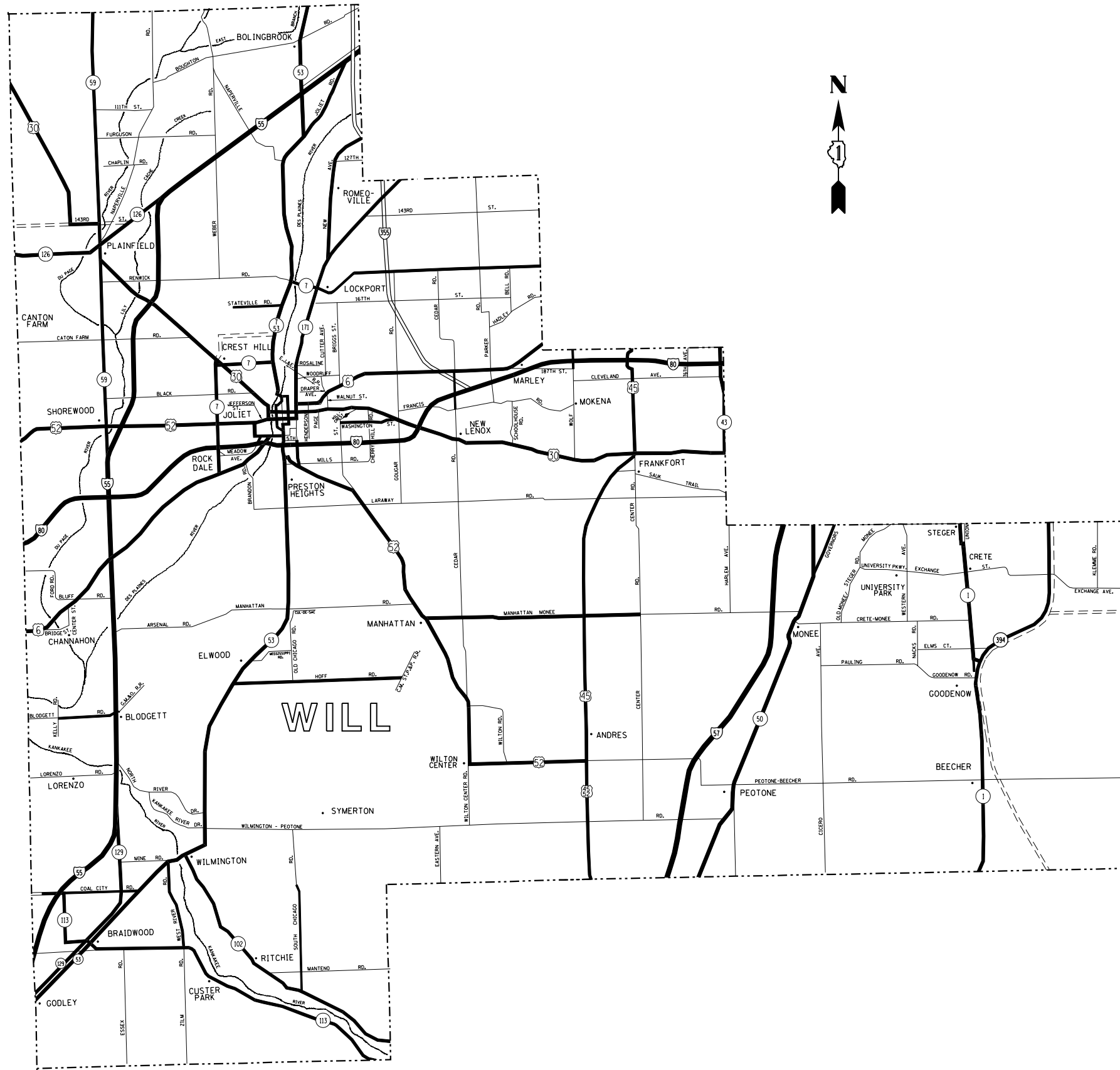
FILE NAME =	USER NAME = Gorengautob	DESIGNED -	REVISED -
ct:\pw\work\p\dot\gorengautob\d0416346\0110415-Design.dgn		DRAWN -	REVISED -
Default	PLOT SCALE = 100.0020' / in.	CHECKED -	REVISED -
	PLOT DATE = 10/24/2014	DATE -	REVISED -

STATE OF ILLINOIS
DEPARTMENT OF TRANSPORTATION

FENCE REPAIR LOCATION MAP - KANE COUNTY
SOUTH OF IL RTE 38

SCALE: SHEET OF SHEETS STA. TO STA.

F.A. RTE.	SECTION	COUNTY	TOTAL SHEETS	SHEET NO.
VAR	2014-0771	VARIOUS	13	6
			CONTRACT NO. 62A21	
ILLINOIS FED. AID PROJECT				



DISTRICT NO. 1 MAINTENANCE DESIGNATIONS

- VARIOUS COLORS STATE HIGHWAYS & EXPRESSWAYS
- TOLLWAY
- CITY MAINTENANCE AGREEMENTS
- FUTURE HIGHWAYS
- VARIOUS AGENCIES HIGHWAYS

FILE NAME =	USER NAME = Gorengautab	DESIGNED -	REVISED -
ct:\pw\work\p\dot\gorengautab\d0416346\0110415-Design.dgn		DRAWN -	REVISED -
Default	PLOT SCALE = 100.0000' / 1" =	CHECKED -	REVISED -
	PLOT DATE = 10/24/2014	DATE -	REVISED -

**STATE OF ILLINOIS
DEPARTMENT OF TRANSPORTATION**

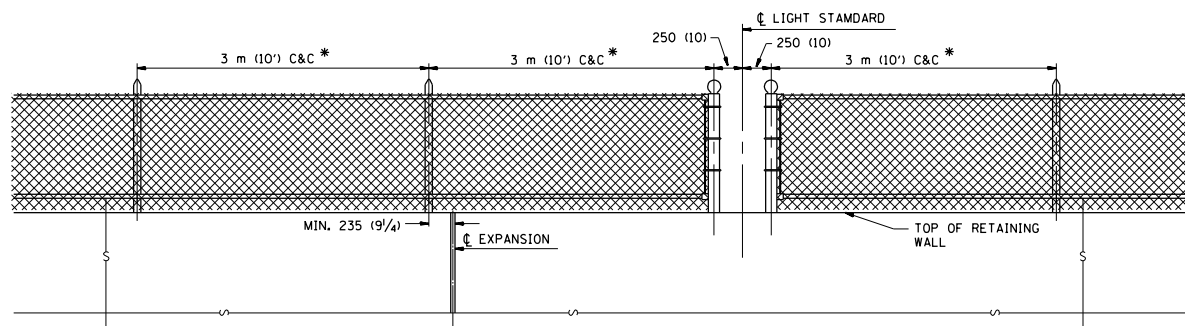
FENCE REPAIR LOCATION MAP - WILL COUNTY

SCALE: SHEET OF SHEETS STA. TO STA.

F.A. RTE.	SECTION	COUNTY	TOTAL SHEETS	SHEET NO.
VAR	2014-0771	VARIOUS	13	7
CONTRACT NO. 62A21				
ILLINOIS FED. AID PROJECT				

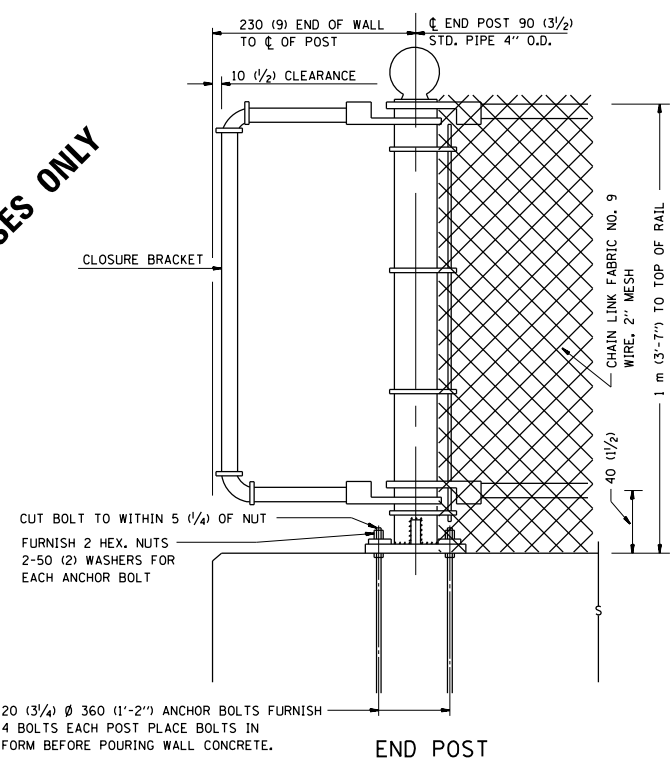
NOTE

* MAXIMUM POST SPACING SHALL BE 3 m (10') C&C EXCEPT WHERE OTHERWISE SHOWN ON PLANS

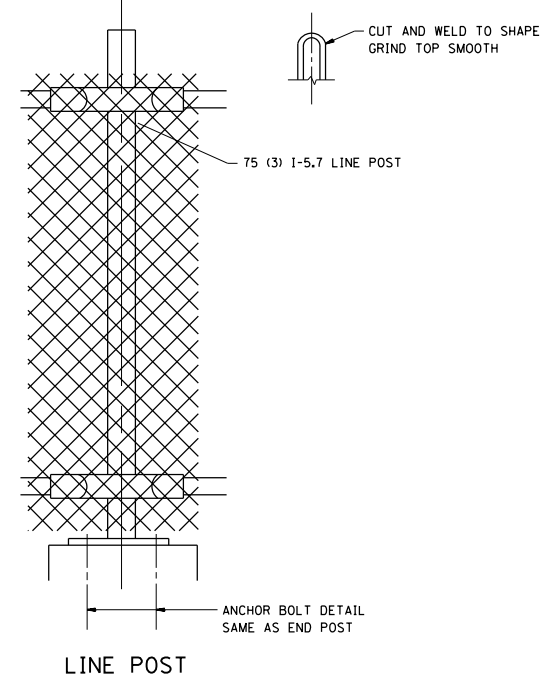


ELEVATION VIEW OF RETAINING WALL WITH PEDESTRIAN BARRIER TYPE III

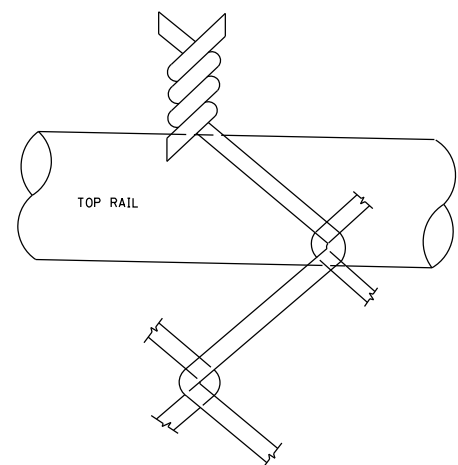
FOR INFORMATIONAL PURPOSES ONLY



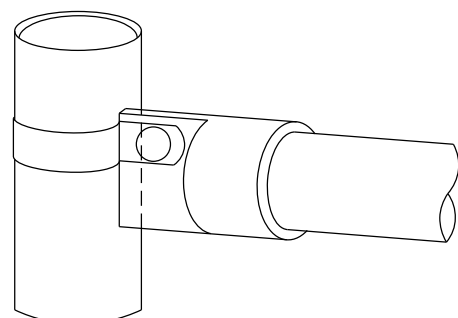
NOTE:
THE COST OF FURNISHING ANCHOR BOLTS, NUTS, & WASHERS TO BE INCIDENTAL



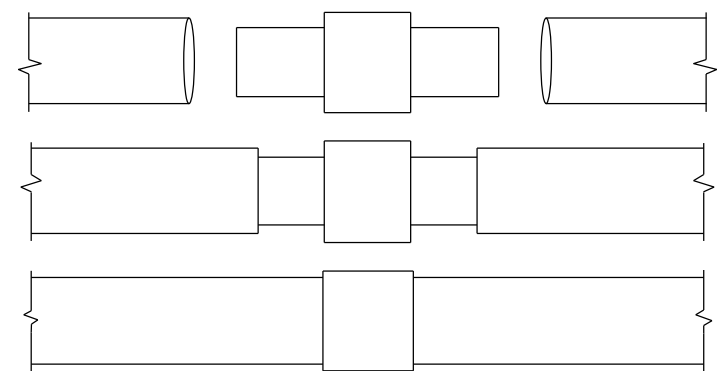
LINE POST



WIRE MESH FABRIC TO BE BARBED AT THE TOP

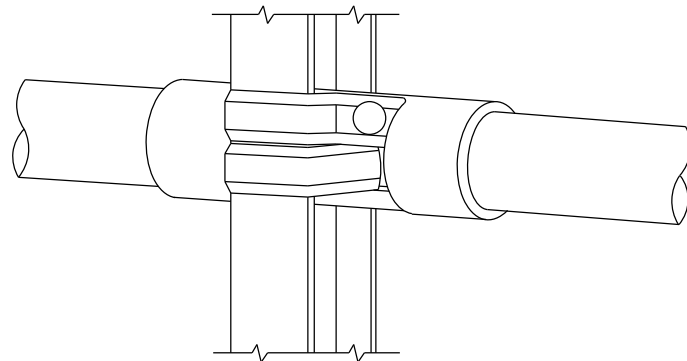


RAIL FITTING AT END POSTS

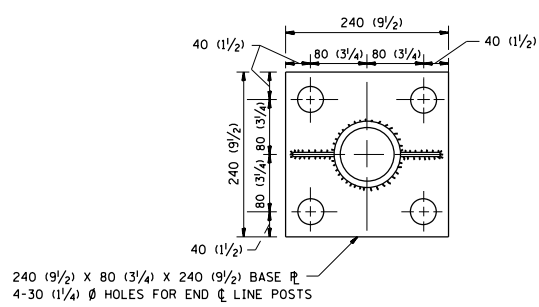


EXPANSION COUPLING DETAIL

NOTE:
EXP. COUPLING TO APPEAR IN TOP AND BOTTOM RAILS WHERE EVER EXP. JT. APPEARS IN STRUCTURE.



RAIL FITTING ON SECTION LINE POST



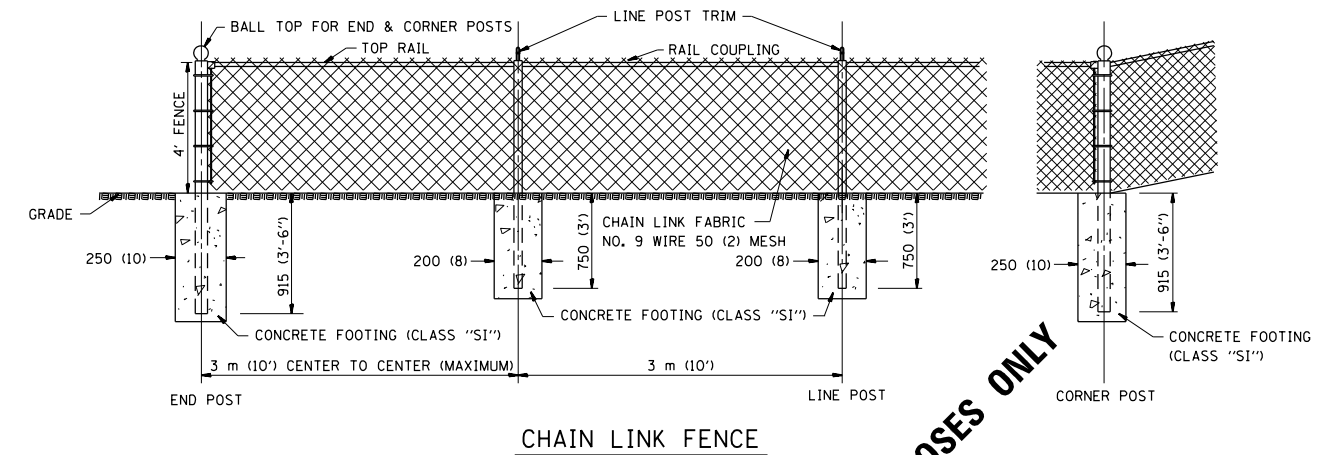
240 (9 1/2) X 80 (3 1/4) X 240 (9 1/2) BASE PLATE
4-30 (1 1/4) Ø HOLES FOR END LINE POSTS

ANCHOR PLATE DETAILS

NOTE:
POST, PLATE AND GUSSET ASSEMBLY SHALL BE GALVANIZED AFTER ALL CUTTING, DRILLING, WELDING, AND FABRICATION HAVE BEEN COMPLETED. THE GALVANIZED COATING SHALL CONFORM TO THE REQUIREMENTS OF AASHTO M 120. THE GALVANIZED COATING SHALL NOT BE LESS THAN 610 G/SQ M (2.0 OZ./SQ. FT.) OF SURFACE.

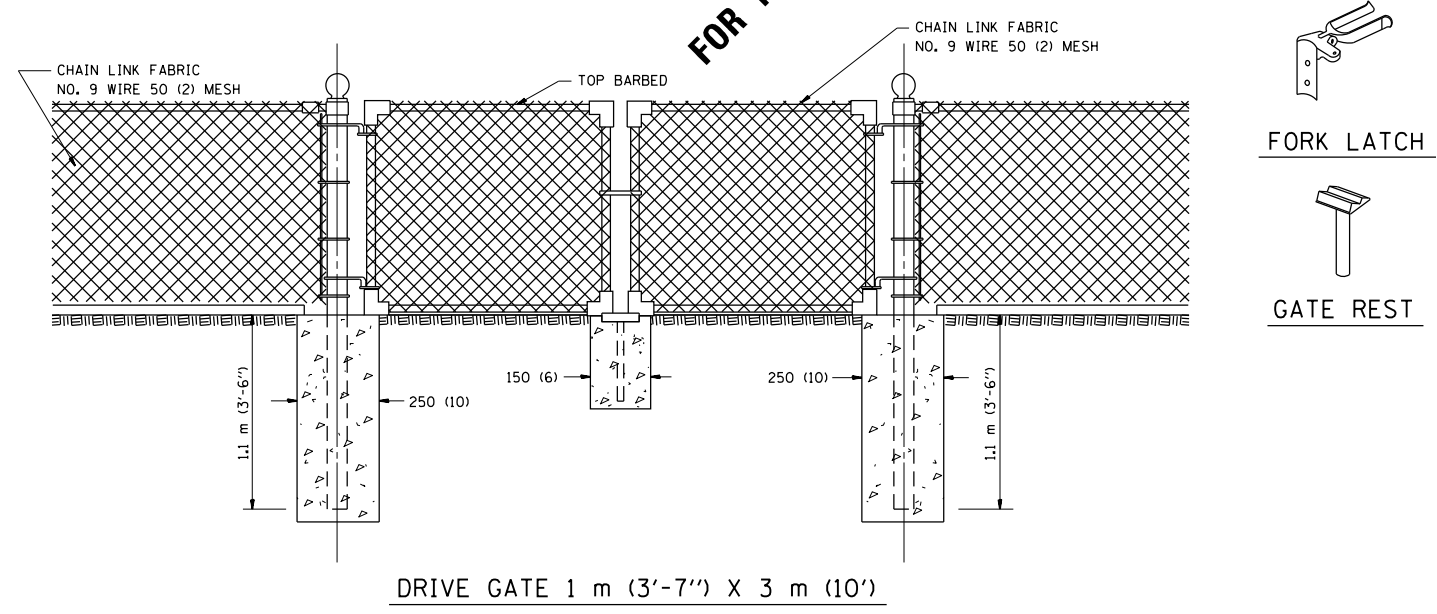
ALL DIMENSIONS ARE IN MILLIMETERS (INCHES) UNLESS OTHERWISE SHOWN.

FILE NAME =	USER NAME = Gorengautob	DESIGNED -	REVISED -	STATE OF ILLINOIS DEPARTMENT OF TRANSPORTATION	PEDESTRIAN BARRIER TYPE III STD. 10-SS-514 R				F.A. RTÉ.	SECTION	COUNTY	TOTAL SHEETS	SHEET NO.
ci:\pw\work\p\dot\gorengautob\d0416346\0110415-Design.dgn	PLOT SCALE = 100.0054' / 1m.	DRAWN -	REVISED -						VAR	2014-0771	VARIOUS	13	8
	PLOT DATE = 10/24/2014	CHECKED -	REVISED -		SCALE: SHEET NO. OF SHEETS STA. TO STA.				CONTRACT NO. 62A21				
		DATE -	REVISED -		FED. ROAD DIST. NO. ILLINOIS FED. AID PROJECT								



CHAIN LINK FENCE

FOR INFORMATIONAL PURPOSES ONLY



DRIVE GATE 1 m (3'-7") X 3 m (10')

ALL DIMENSIONS ARE IN MILLIMETERS (INCHES) UNLESS OTHERWISE SHOWN.

NOTE:
 THE CHAIN LINK FENCE AS SHOWN HEREIN SHALL BE CONSTRUCTED AT SUCH LOCATIONS AS SHOWN ON PLANS AND IN ACCORDANCE WITH THE SPECIAL PROVISIONS
 THE ENGINEER SHALL ESTABLISH ALL NECESSARY LINE AND GRADE PRIOR TO THE ERECTION OF THE FENCE IN CONFORMANCE WITH THE PLANS

FILE NAME =	USER NAME = Gorengautob	DESIGNED -	REVISED -
et:\pw\work\p\dot\gorengautob\d0416346\0110415-Design.dgn		DRAWN -	REVISED -
	PLOT SCALE = 100.0010' / in.	CHECKED -	REVISED -
	PLOT DATE = 10/24/2014	DATE -	REVISED -

STATE OF ILLINOIS
 DEPARTMENT OF TRANSPORTATION

CHAIN LINK FENCE
 STD. 10-SS-506 B

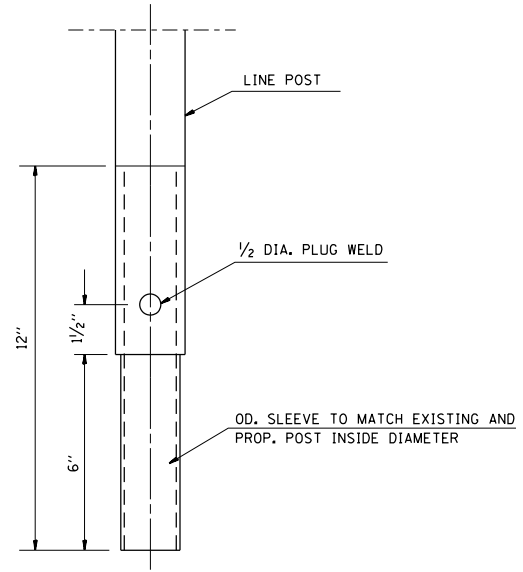
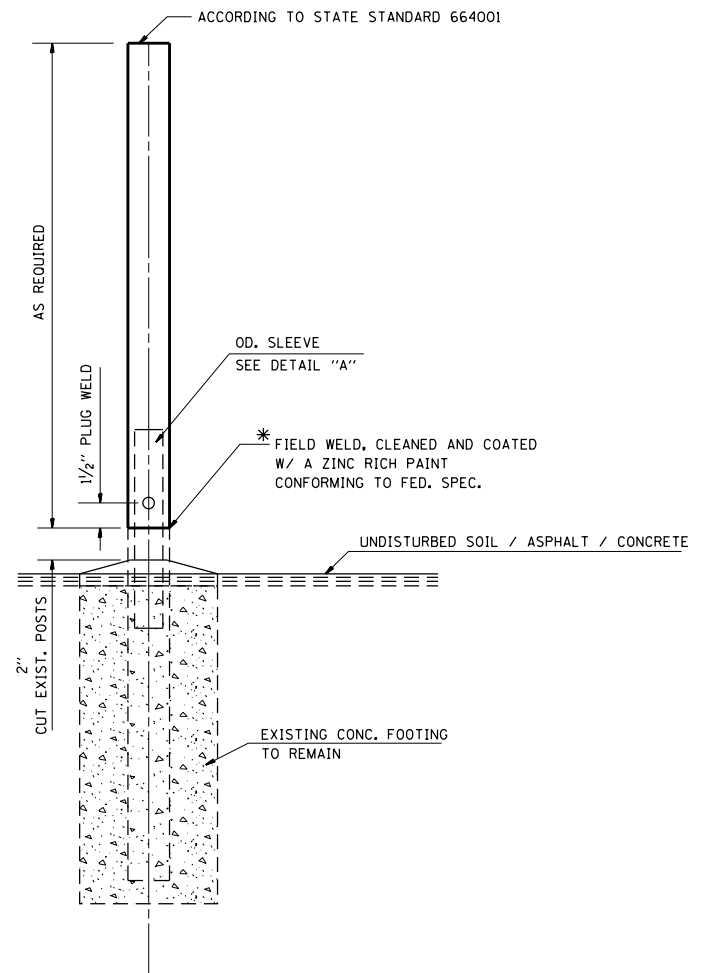
SCALE:	SHEET NO.	OF	SHEETS	STA.	TO	STA.
--------	-----------	----	--------	------	----	------

F.A. RTE.	SECTION	COUNTY	TOTAL SHEETS	SHEET NO.
VAR	2014-0771	VARIOUS	13	9
CONTRACT NO. 62A21				
FED. ROAD DIST. NO. ILLINOIS FED. AID PROJECT				

GENERAL NOTES:

THIS WORK CONSISTS OF FURNISHING ALL LABOR, MATERIALS, TOOLS AND EQUIPMENT TO REPAIR CHAIN LINK FENCE POST SLEEVE AS SHOWN ON THE PLANS OR AS DIRECTED BY THE ENGINEER, AND IN ACCORDANCE WITH STATE STANDARD 664001.

BASIS OF PAVEMENT: THIS WORK SHALL BE PAID FOR AT THE CONTRACT UNIT PRICE EACH FOR "CHAIN LINK FENCE POST SLEEVE REPAIR" WHICH PRICE SHALL BE PAYMENT IN FULL TO COMPLETE THE WORK AS SPECIFIED HEREIN.



SLEEVE DET. DWG
DETAIL "A"
SLEEVE DETAIL

* THIS WORK SHALL BE INCLUDED IN THE COST OF THE PAY ITEM "CHAIN LINK FENCE POST SLEEVE REPAIR"

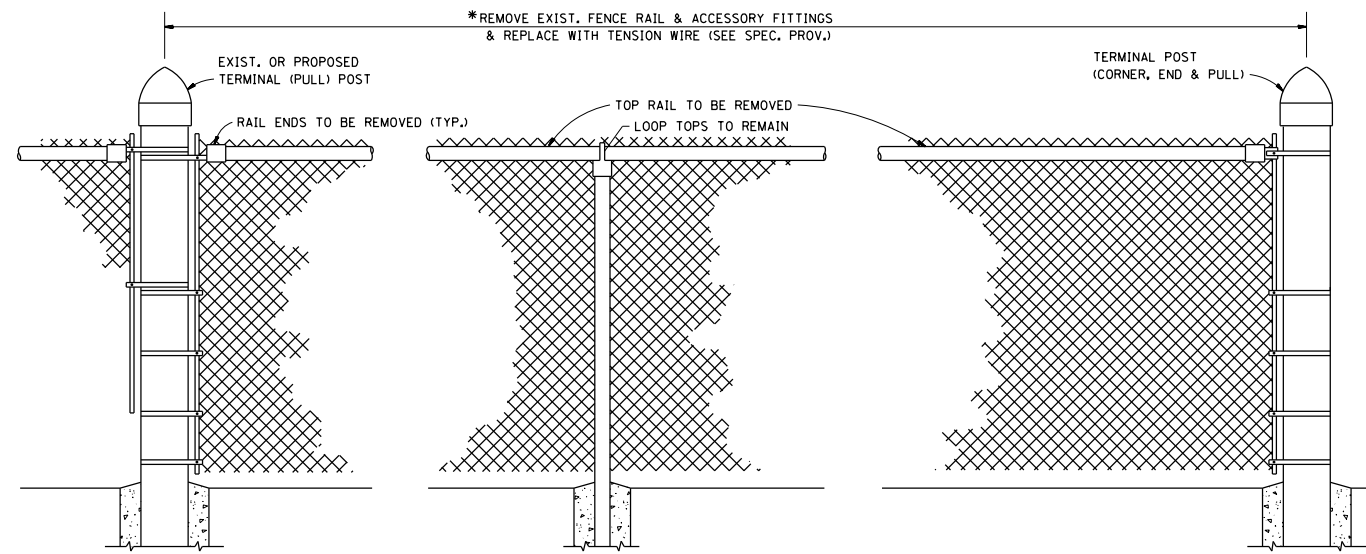
FILE NAME =	USER NAME = Gorengautab	DESIGNED -	REVISED -
et:\pw\work\p1dot\gorengautab\d0416346\0110415-Design.dgn		DRAWN -	REVISED -
	PLOT SCALE = 100.0000' / 1in.	CHECKED -	REVISED -
	PLOT DATE = 10/24/2014	DATE -	REVISED -

**STATE OF ILLINOIS
DEPARTMENT OF TRANSPORTATION**

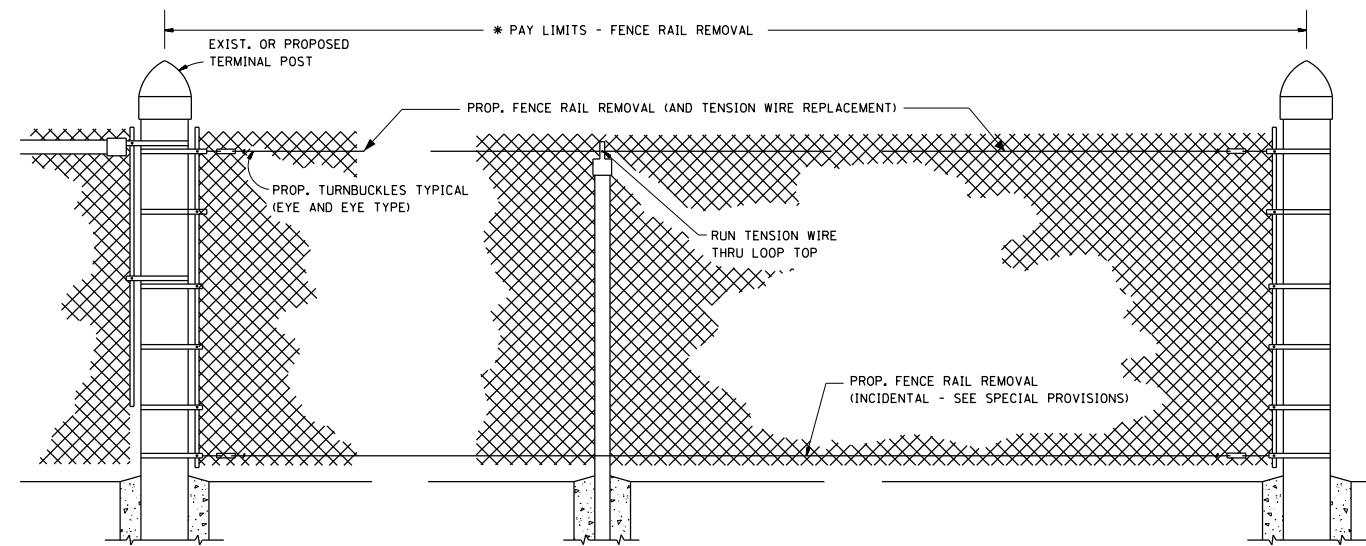
**CHAIN LINK FENCE POST SLEEVE
REPAIR DETAIL**

SCALE: SHEET NO. OF SHEETS STA. TO STA.

F.A. RTE.	SECTION	COUNTY	TOTAL SHEETS	SHEET NO.
VAR	2014-0771	VARIOUS	13	10
FED. ROAD DIST. NO.			ILLINOIS FED. AID PROJECT	
			CONTRACT NO. 62A21	



EXIST. CHAIN LINK FENCE WITH TOP RAIL



PROP. CHAIN LINK FENCE WITH "FENCE RAIL REMOVAL"

* THE ENGINEER IN CHARGE SHALL DETERMINE THE LENGTH OF FENCE RAIL TO BE REMOVED & REPLACED WITH "TENSION WIRE"

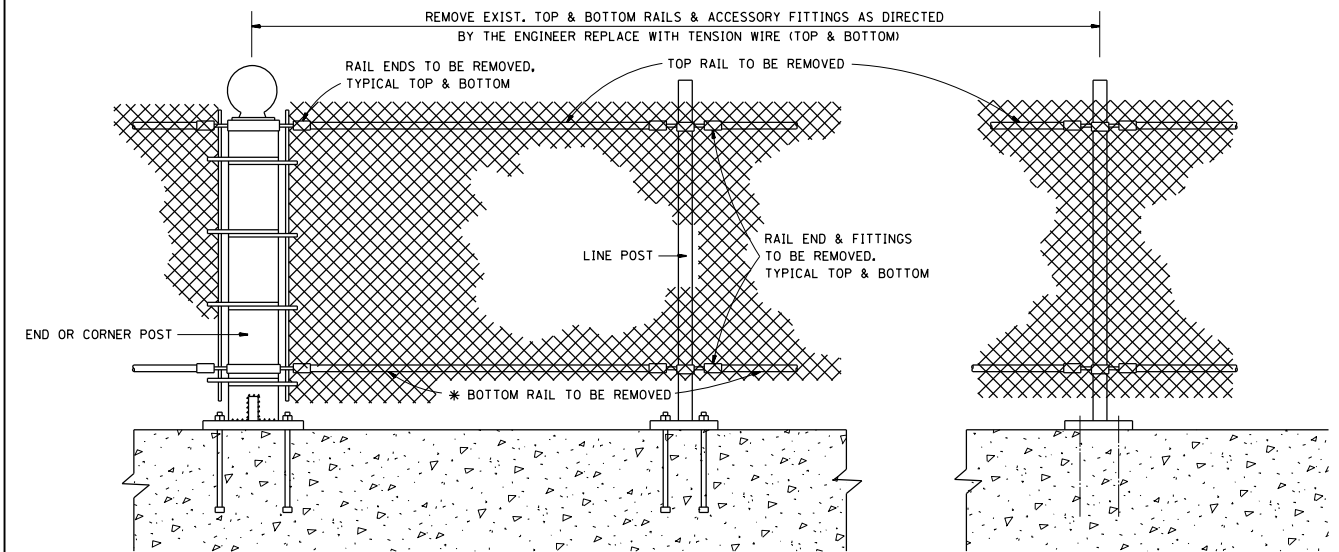
GENERAL NOTES

FENCE RAIL REMOVAL: THIS ITEM CONSISTS OF REMOVING EXISTING TOP OR BOTTOM RAIL, (DAMAGED OR UNDAMAGED) AND REPLACING WITH TENSION WIRE. BOTTOM TENSION WIRE SHALL BE CONSIDERED INCIDENTAL EXCEPT AT LOCATIONS OF EXISTING BOTTOM RAIL REMOVAL.

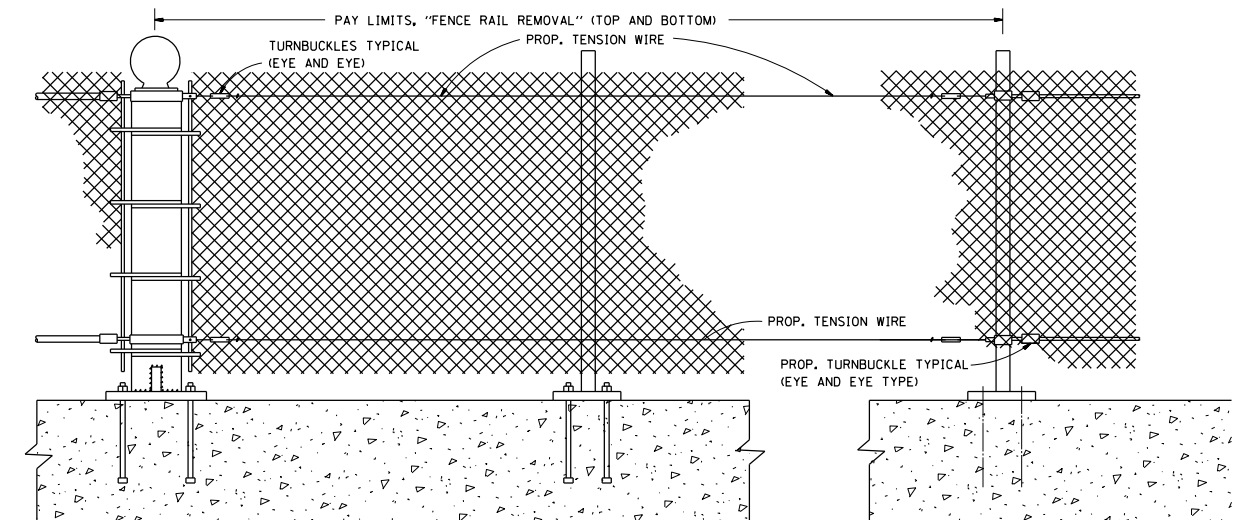
TENSION WIRE: THIS ITEM CONSISTS OF INSTALLING TENSION WIRE, TOP OR BOTTOM, WHERE TOP OR BOTTOM RAIL IS NON-EXISTENT, OR WHERE EXISTING DAMAGED TENSION WIRE IS REMOVED AND REPLACED BY NEW TENSION WIRE.

ALL WORK AND MATERIALS SHALL BE IN ACCORDANCE WITH THE PLANS, SPECIAL PROVISIONS, STANDARD SPECIFICATIONS AND STANDARD 664001.

REPLACEMENT OF OTHER FENCE COMPONENT PARTS SHALL BE MEASURED AND PAID FOR SEPARATELY AS DESCRIBED IN THE SPECIAL PROVISIONS.



EXIST. PEDESTRIAN BARRIER TYPE 3 WITH TOP AND BOTTOM RAILS



PROP. PEDESTRIAN BARRIER TYPE 3 WITH FENCE RAIL REMOVAL

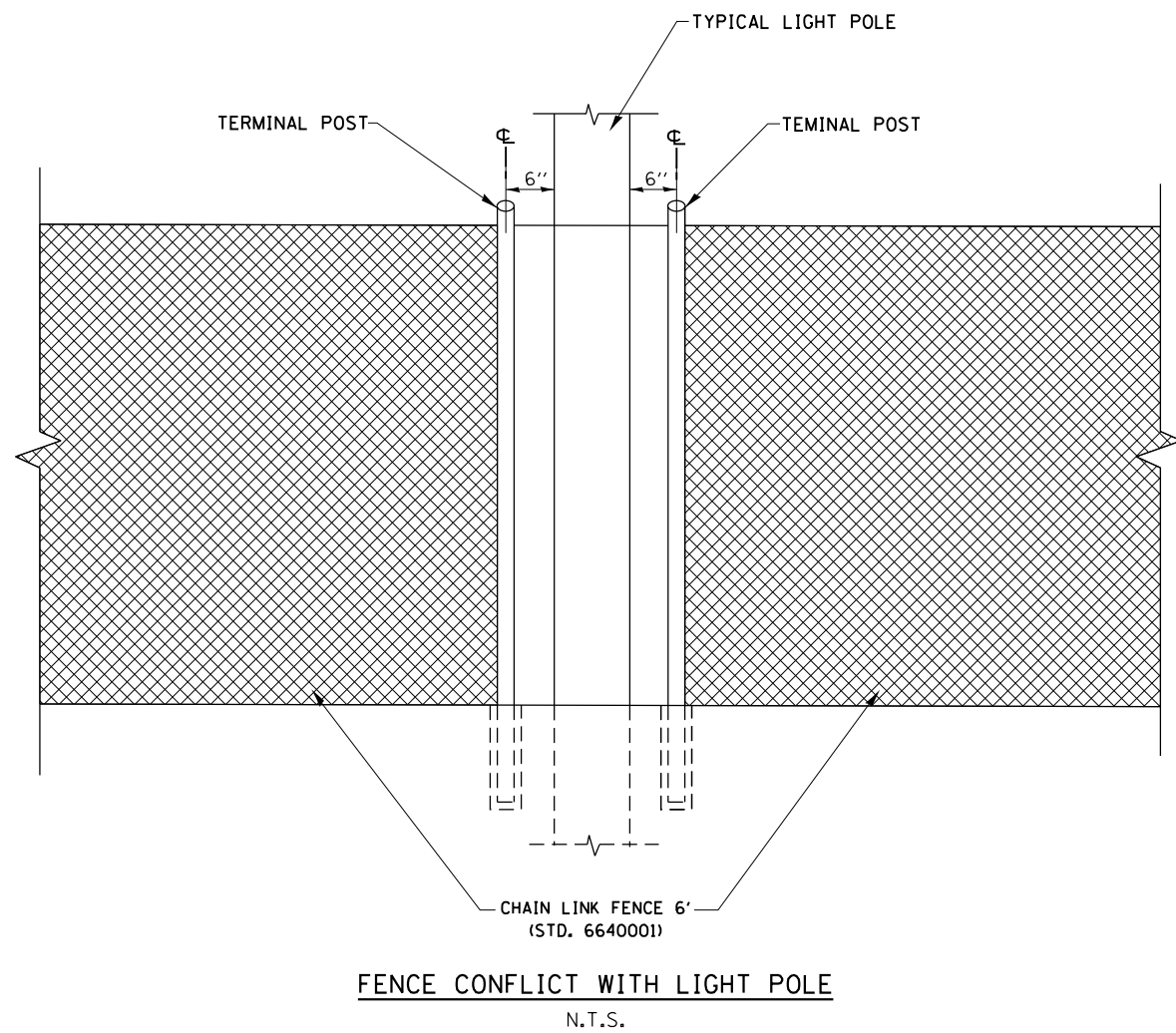
ALL DIMENSIONS ARE IN MILLIMETERS (INCHES) UNLESS OTHERWISE SHOWN.

FILE NAME =	USER NAME = Gorengautab	DESIGNED -	REVISED -
et:\pw\work\p1\dot\gorengautab\d0416346\0110415-Design.dgn		DRAWN -	REVISED -
	PLOT SCALE = 100.0000' / 1in.	CHECKED -	REVISED -
	PLOT DATE = 10/24/2014	DATE -	REVISED -

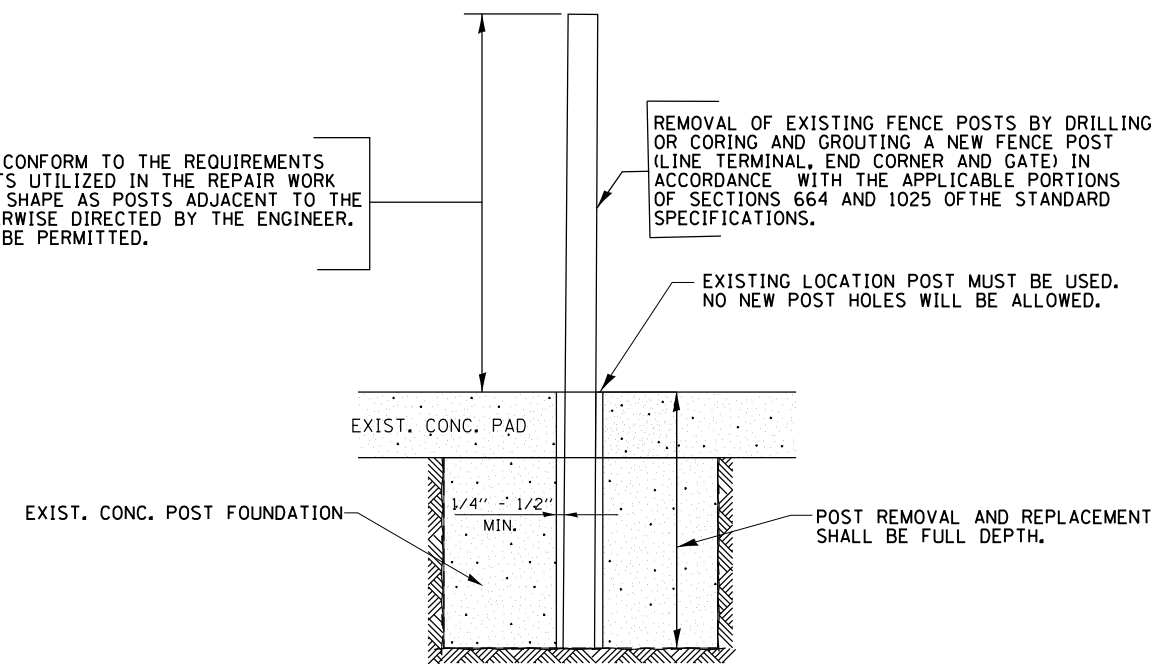
**STATE OF ILLINOIS
DEPARTMENT OF TRANSPORTATION**

PROPOSED PEDESTRIAN BARRIER AND CHAIN LINK FENCE WITH TENSION WIRE AND FENCE RAIL REMOVAL			
SCALE:	SHEET NO.	OF SHEETS	STA. TO STA.

F.A. RTE.	SECTION	COUNTY	TOTAL SHEETS	SHEET NO.
VAR	2014-0771	VARIOUS	13	11
CONTRACT NO. 62A21				
FED. ROAD DIST. NO. ILLINOIS FED. AID PROJECT				



GALVANIZED POSTS SHALL CONFORM TO THE REQUIREMENTS OF STANDARD 864001 POSTS UTILIZED IN THE REPAIR WORK SHALL BE THE SAME TYPE SHAPE AS POSTS ADJACENT TO THE REPAIR AREA UNLESS OTHERWISE DIRECTED BY THE ENGINEER. NO USED MATERIALS WILL BE PERMITTED.



FILE NAME =	USER NAME = Gorengautab	DESIGNED -	REVISED -
c:\pwork\work\pwork\gorengautab\0416346\0110415-Design.dgn		DRAWN -	REVISED -
Default	PLOT SCALE = 100.0000' / 1in.	CHECKED -	REVISED -
	PLOT DATE = 10/24/2014	DATE -	REVISED -

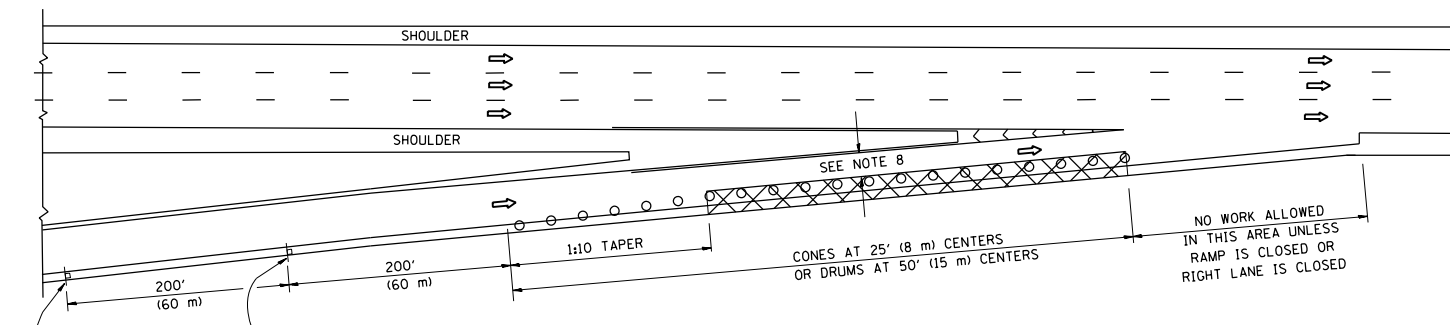
**STATE OF ILLINOIS
DEPARTMENT OF TRANSPORTATION**

SPECIAL FENCE DETAILS

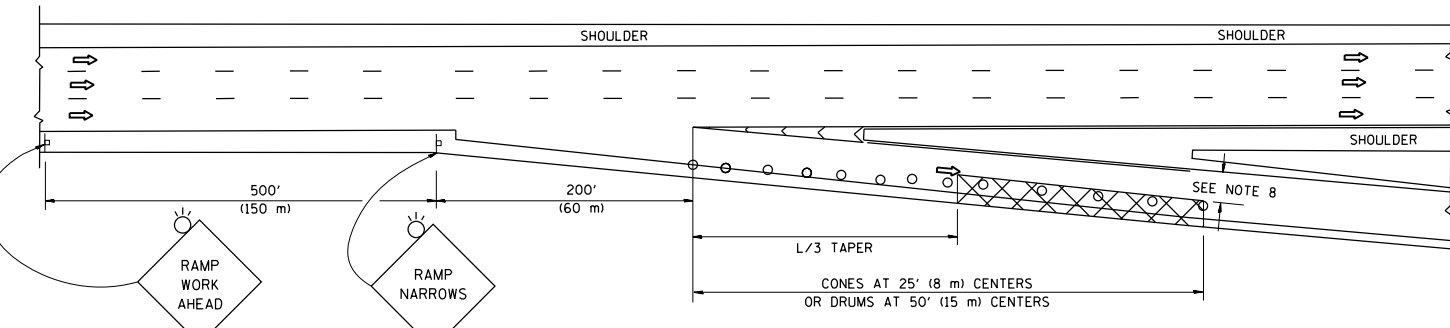
SCALE: SHEET OF SHEETS STA. TO STA.

F.A. RTE.	SECTION	COUNTY	TOTAL SHEETS	SHEET NO.
VAR	2014-0771	VARIOUS	13	12
			CONTRACT NO. 62A21	
ILLINOIS FED. AID PROJECT				

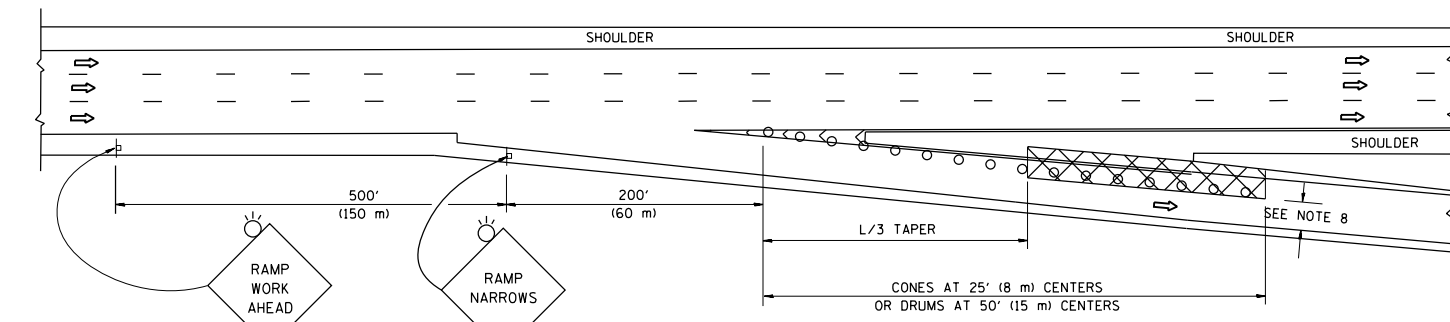
PARTIAL RAMP CLOSURE DETAILS



TYPICAL ENTRANCE RAMP



TYPICAL EXIT RAMP



TYPICAL EXIT RAMP

SYMBOLS

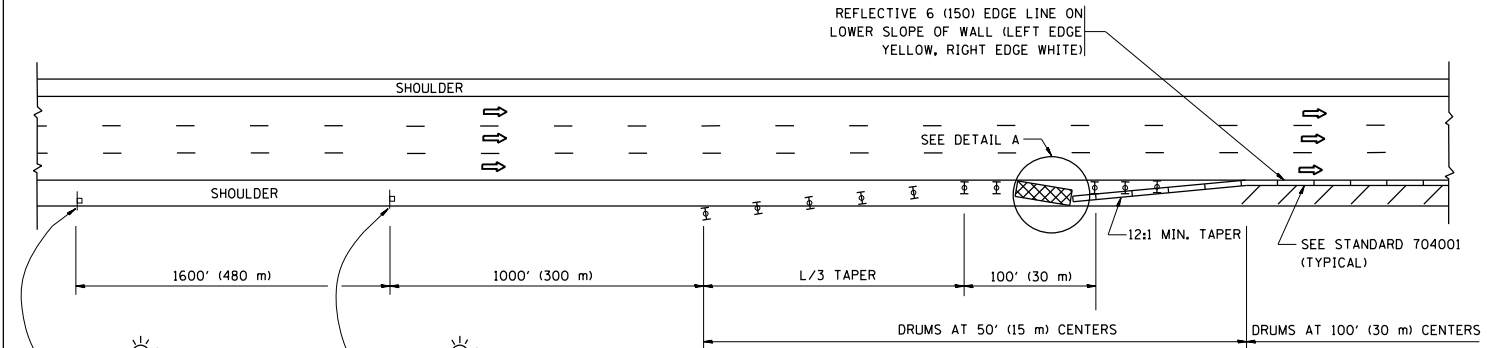
- ACTIVE WORK AREA
- SIGN ON PORTABLE OR PERMANENT SUPPORT
- FLAGGER WITH CONTROL SIGN
- TYPE II BARRICADE OR DRUM WITH STEADY BURN MONO-DIRECTIONAL LIGHT
- CONE, DRUM OR BARRICADE
- IMPACT ATTENUATOR OF TYPE AND TEST LEVEL SPECIFIED

GENERAL NOTES

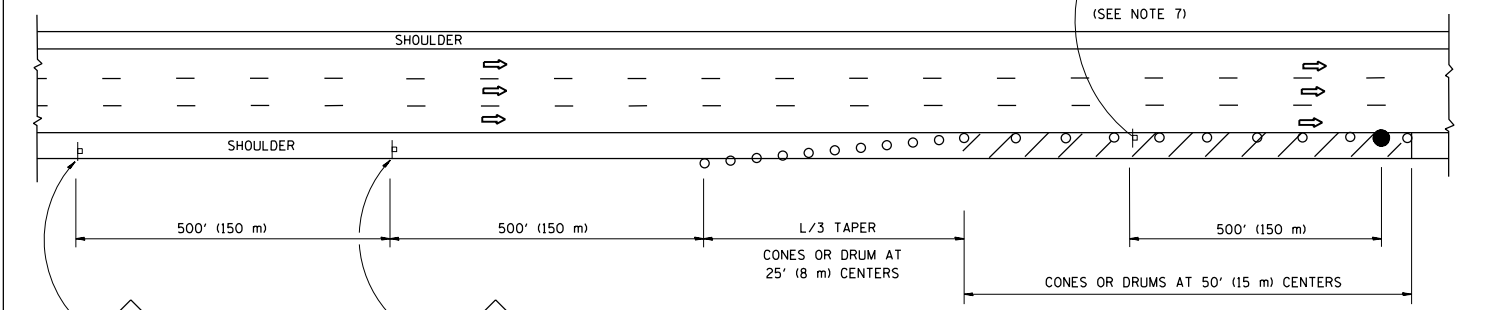
1. THE "L" DISTANCE EQUALS:

SPEED LIMIT	FORMULAS
45 mph (80 km/h) OR GREATER:	METRIC ENGLISH L=0.65(W)(S) L=(W)(S)
W = WIDTH OF OFFSET IN FEET (METERS)	
S = NORMAL POSTED SPEED MPH (KM/H)	
2. PLASTIC DRUMS WITH HIGH PERFORMANCE REFLECTIVE SHEETING AND STEADY BURNING LIGHTS ARE REQUIRED FOR ALL NIGHTTIME CLOSURES.
3. ALL SIGNS SHALL BE POST MOUNTED IF THE CLOSURE TIME EXCEEDS FOUR DAYS.
4. FLASHING LIGHTS SHALL BE USED DURING THE HOURS OF DARKNESS AND SHALL BE INSTALLED ABOVE THE FIRST TWO SETS OF SIGNS.

SHOULDER CLOSURE DETAILS

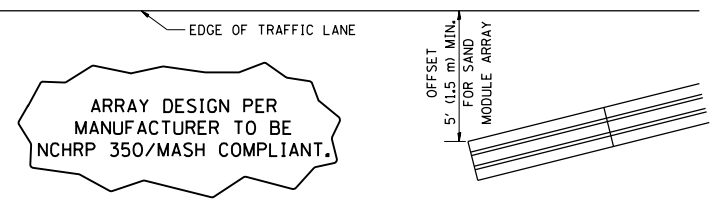


PERMANENT SHOULDER CLOSURE



DAYTIME SHOULDER CLOSURE

THIS DETAIL IS USED WHERE:
 1. VEHICLES, EQUIPMENT, WORKERS OR THEIR ACTIVITIES ENCR OACH IN AN AREA CLOSER THAN 15' (4.5 m) TO THE EDGE OF PAVEMENT FOR A PERIOD IN EXCESS OF 15 MINUTES.



DETAIL "A"
 IMPACT ATTENUATOR, TEMPORARY
 (SEE NOTE 5)

5. THE IMPACT ATTENUATOR, TEMPORARY IS NOT REQUIRED WHEN THE TEMPORARY CONCRETE BARRIER WALL IS PROTECTED BY OR IS TIED INTO THE EXISTING GUARDRAIL. IF OFFSET IS LESS THAN 5 FEET USE NARROW USE TYPE DEVICE TO MEET NCHRP350/MASH.
6. AUTHORIZATION FROM THE DISTRICT'S BUREAU OF TRAFFIC IS REQUIRED FOR ALL FREEWAY CLOSURES.
7. THE FLAGGER AND FLAGGER SIGN ARE REQUIRED AT THE ABOVE WORK SITES WHEN:
 - a. FOUR OR MORE WORK VEHICLES ENTER THE TRAFFIC LANES IN A ONE HOUR PERIOD.
 - b. THE WORK AVTIVITY REQUIRES FREQUENT ENCR OACHMENT INTO THE LANE OPEN TO TRAFFIC.
 THE FLAGGER SHALL BE STATIONED APPROXIMATELY 100' (30 m) TO 200' (60 m) IN ADVANCE OF THE WORKERS.
8. 12' MIN. WIDTH TANGENT SECTION
 16' MIN. WIDTH CURVE SECTION.

ALL DIMENSIONS ARE IN INCHES (MILLIMETERS) UNLESS OTHERWISE SHOWN.

FILE NAME =	USER NAME = Gorengautab	DESIGNED -	REVISED - J.A.F. 12-06
et:\pw\work\p1dot\gorengautab\d0416346\0110415-Design.dgn		DRAWN - D.W.S.	REVISED - S.P.B. 01-07
	PLOT SCALE = 100.0000' / 1in.	CHECKED -	REVISED - S.P.B. 12-09
	PLOT DATE = 10/24/2014	DATE - 11-96	REVISED - M.D. 06-13

STATE OF ILLINOIS
 DEPARTMENT OF TRANSPORTATION

TRAFFIC CONTROL DETAILS FOR FREEWAY			
SHOULDER CLOSURES AND PARTIAL RAMP CLOSURES			
SCALE: NONE	SHEET NO. 1 OF 1 SHEETS	STA.	TO STA.

F.A. RTE.	SECTION	COUNTY	TOTAL SHEETS	SHEET NO.
VAR	2014-0771	VARIOUS	13	13
TC-17		CONTRACT NO. 62A21		
FED. ROAD DIST. NO. 1 ILLINOIS FED. AID PROJECT				