

194

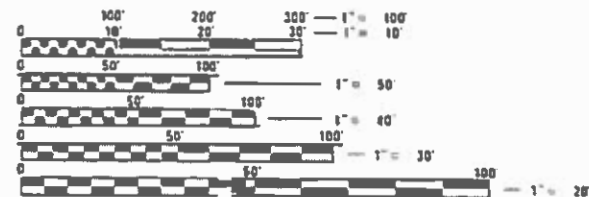
STATE OF ILLINOIS  
DEPARTMENT OF TRANSPORTATION

FAI ROUTE	SECTION	COUNTY	TOTAL SHEETS	SHEET NO.
55	2019-175-1	WILL	5	1
CONTRACT NO. 62K48				

FOR INDEX OF SHEETS, SEE SHEET NO.

# PROPOSED HIGHWAY PLANS

FAI ROUTE 55: I-55  
I-355 TO REED RD  
SECTION: 2019-174-1  
EXPRESSWAY HIGHWAY CLEANING (LITTER/DEBRIS REMOVAL)  
COUNTY: WILL  
C-91-141-20



FULL SIZE PLANS HAVE BEEN PREPARED USING STANDARD ENGINEERING SCALES. REDUCED SIZED PLANS WILL NOT CONFORM TO STANDARD SCALES. IN MAKING MEASUREMENTS ON REDUCED PLANS THE ABOVE SCALES MAY BE USED.

J.U.L.I.E.  
JOINT UTILITY LOCATION INFORMATION FOR EXCAVATION  
1-800-892-0123  
OR 811

LOCATION MAP - SEE INDEX OF SHEETS

PROJECT ENGINEER: J. ALAIN MIDY (847) 221-3056  
PROJECT MANAGER: FAWAD AQUEEL (847) 705-4247

GROSS LENGTH = 375,936 FT. = 71.2 MILE  
NET LENGTH = 375,936 FT. = 71.2 MILE

CONTRACT NO. 62K48

STATE OF ILLINOIS  
DEPARTMENT OF TRANSPORTATION

SUBMITTED *November 25 20 19*

*Anthony J. D'Amico* 10/23  
REGIONAL ENGINEER

*Jan 31 2020*  
ENGINEER OF DESIGN AND ENVIRONMENT

*Jan 31 20 2020*  
DIRECTOR OF HIGHWAYS PROJECT IMPLEMENTATION

PRINTED BY THE AUTHORITY  
OF THE STATE OF ILLINOIS

F.A.I. RTE.	SECTION	COUNTY	TOTAL SHEETS	SHEET NO.
55	2019-175-1	WILL	5	2
STA.		TO STA.		
FED. ROAD DIST. NO.	ILLINOIS	FED. AID PROJECT		

INDEX OF SHEETS

1. TITLE SHEET
2. INDEX OF SHEETS  
APPLICABLE STATE STANDARDS
3. SUMMARY OF QUANTITIES  
SCHEDULE OF CLEANING STARTING DATES
4. EXPRESSWAY CLEANING: I-55 (I-355 TO REED RD)
5. TRAFFIC CONTROL DETAILS FOR FREEWAY SHOULDER CLOSURES  
AND PARTIAL RAMP CLOSURES (TC-17)

STATE STANDARDS

- 701101-05 OFF-ROAD OPERATION MULTILANE, 15' TO 24" FROM PAVEMENT EDGE
- 701106-02 OFF-ROAD OPERATION MULTILANE, MORE THAN 15' AWAY
- 701428-01 TRAFFIC CONTROL SETUP AND REMOVAL FREEWAY/EXPRESSWAY
- 701901-08 TRAFFIC CONTROL DEVICES

PLOT DATE = 2/6/2020  
 FILE NAME = p:\planning\mtd\illinois\gou\mtd\Documents\DOT Offices\District 1\Projects\Sweeping Contracts\GDDData\Design\SweepingContract2017.dgn  
 PLOT SCALE = 1/8"=1'-0"  
 USER NAME = roshup

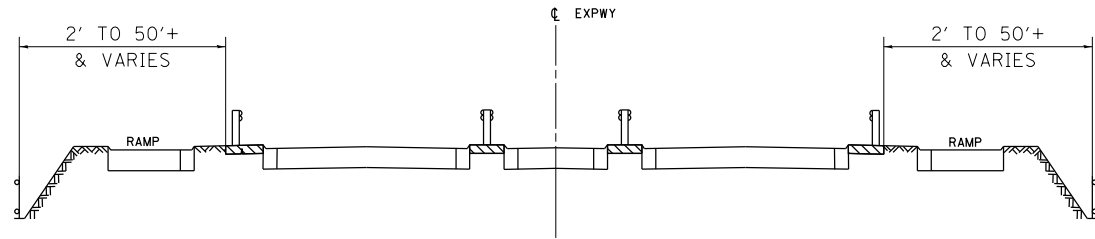
REVISIONS	
NAME	DATE

ILLINOIS DEPARTMENT OF TRANSPORTATION

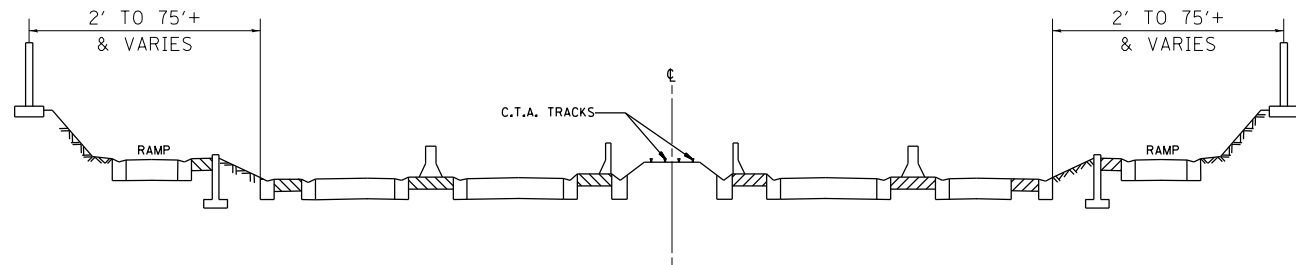
INDEX OF SHEETS AND STATE STANDARDS

SCALE: VERT.      DRAWN BY  
 DATE      HORIZ.      CHECKED BY

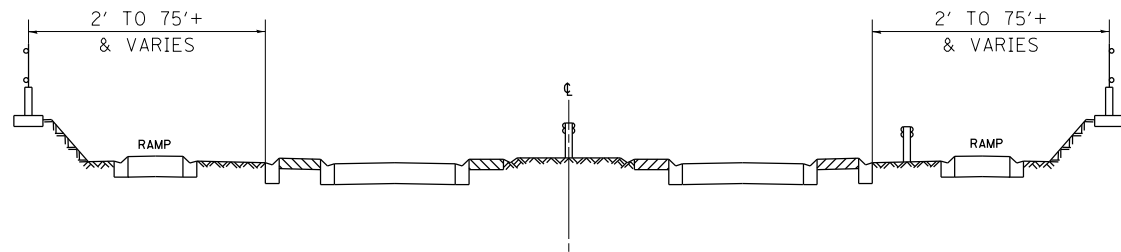
F.A.I. RTE.	SECTION	COUNTY	TOTAL SHEETS	SHEET NO.
55	2019-175-1	WILL	5	3
STA.		TO STA.		
FED. ROAD DIST. NO.	ILLINOIS	FED. AID PROJECT		



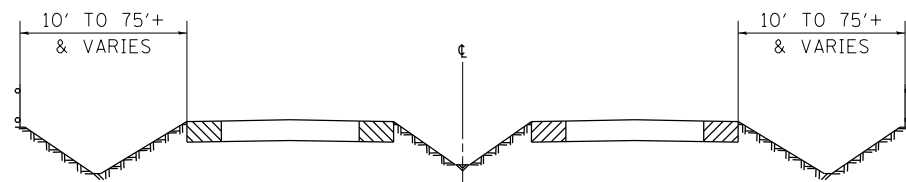
TYPICAL EXPRESSWAY CROSS-SECTION NO. 1



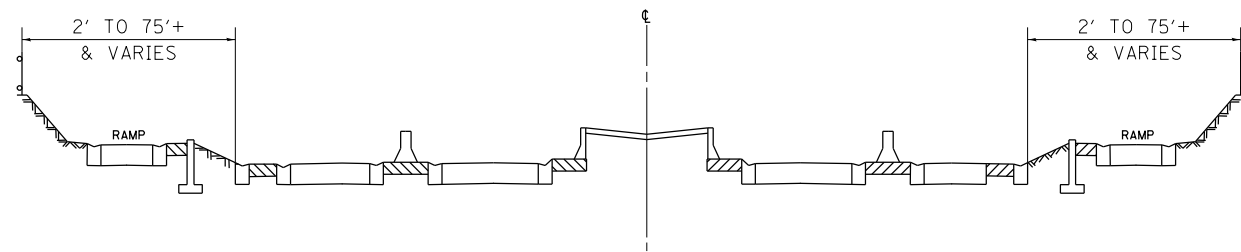
TYPICAL EXPRESSWAY CROSS-SECTION NO. 2



TYPICAL EXPRESSWAY CROSS-SECTION NO. 3



TYPICAL EXPRESSWAY CROSS-SECTION NO. 4



TYPICAL EXPRESSWAY CROSS-SECTION NO. 5

NOTES:

- SCHEDULE MAY VARY AS DIRECTED BY THE ENGINEER.
- NO WORK WILL BE ALLOWED DURING ANY LEGAL HOLIDAY PERIOD.
- ALL SCHEDULES OF ANTICIPATED STARTING DATES SHOWN ARE TENTATIVE AS DETERMINED BY THE DEPARTMENT'S OPERATIONAL NEEDS.
- NO DAILY CONTRACTOR WORK REQUESTS/ SCHEDULING SHALL BE AUTHORIZED OR APPROVED TO START WHEN IT IS DETERMINED BY THE ENGINEER THAT WEATHER CONDITIONS WILL BE UNFAVORABLE. APPROVAL OF ALL DAILY CONTRACTOR WORK SCHEDULE REQUEST SHALL BE SOLELY DETERMINED BY THE ENGINEER AND OR PROJECT SUPERVISOR.
- ALL SHOULDER CLOSURES SHALL BE IMMEDIATELY REMOVED DURING ALL ADVERSE WEATHER CONDITIONS **WITHOUT EXCEPTION**, INCLUDING BUT NOT LIMITED TO RAIN, WET ROAD SURFACE (SPRAY FROM TIRES), MIST, DRIZZLE, SLEET, SNOW, FOG AND ANY OTHER CIRCUMSTANCE DETERMINED UNSAFE BY THE ENGINEER. **THE CONTRACTOR SHALL IMPLEMENT THIS CONTRACT REQUIREMENT IMMEDIATELY WITHOUT WAITING FOR DEPARTMENT INSTRUCTIONS.**
- NO WORK WILL BE ALLOWED DAY OR NIGHT ON THE FOLLOWING DATES UNLESS IT IS CONSIDERED AN EMERGENCY, IMMEDIATE HAZARD OR ANY WORK AS DESIGNATED BY THE DEPARTMENT THAT REQUIRES FIRST PRIORITY CORRECTIVE ACTION:

2020: APRIL 10 - APRIL 13  
 MAY 22 - MAY 26  
 JULY 2 - JULY 6  
 SEPTEMBER 4 - SEPTEMBER 8  
 NOVEMBER 23 - DECEMBER 1  
 DECEMBER 23 - JANUARY 1/2021

EASTER HOLIDAY  
 MEMORIAL DAY HOLIDAY  
 INDEPENDENCE DAY HOLIDAY  
 LABOR DAY HOLIDAY  
 THANKSGIVING HOLIDAY  
 CHRISTMAS/NEW YEAR'S HOLIDAY

SUMMARY OF QUANTITIES

CODE NO.	ITEM	UNIT	URBAN	100 % STATE
			TOTAL QUANTITIES	0044 EXPRESSWAY
X0326643	LITTER PICKING	MILE	180	180

REVISIONS	
NAME	DATE

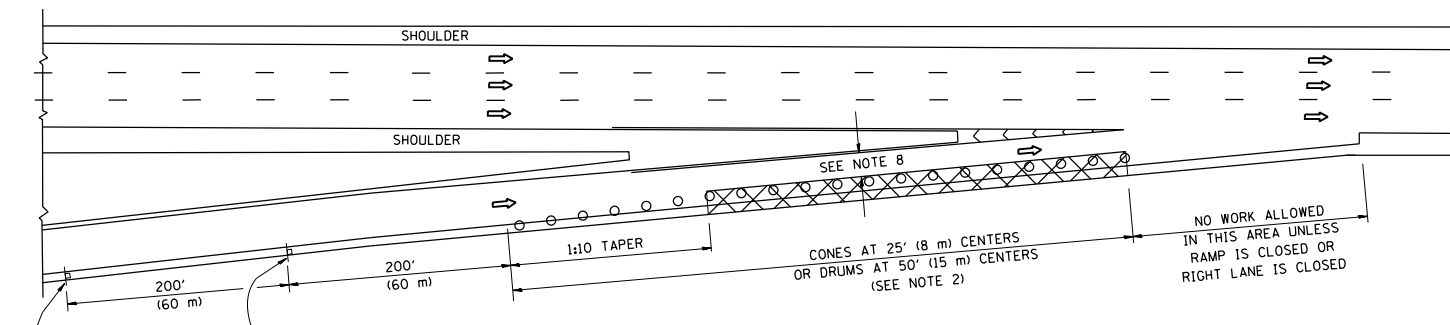
ILLINOIS DEPARTMENT OF TRANSPORTATION  
 SUMMARY OF QUANTITIES  
 AND  
 SCHEDULE OF STARTING DATES

SCALE: VERT.  
 HORIZ.  
 DATE

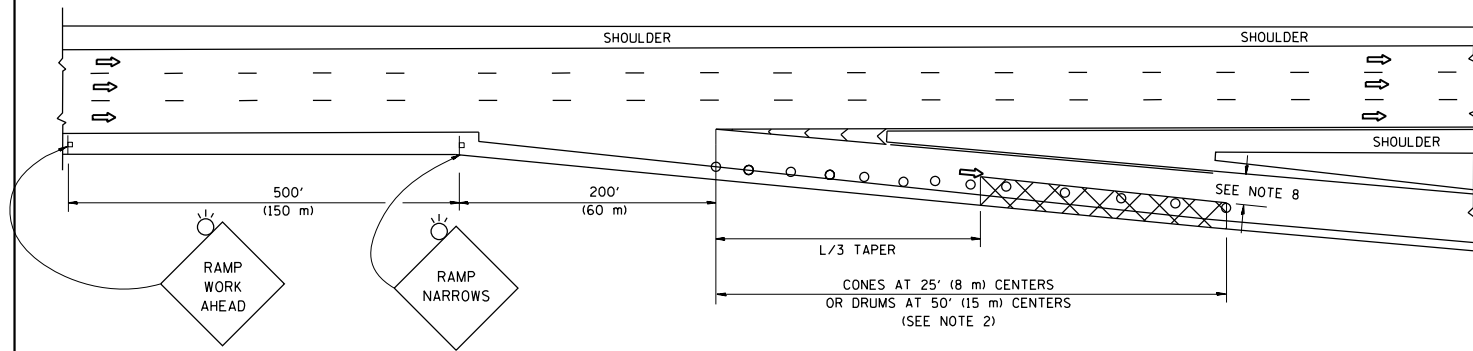
DRAWN BY  
 CHECKED BY



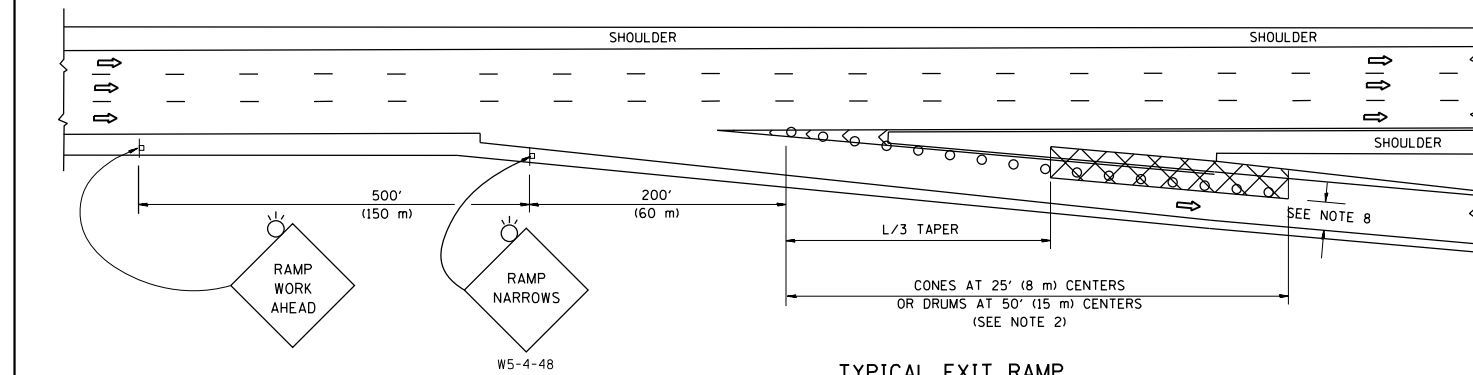
PARTIAL RAMP CLOSURE DETAILS



TYPICAL ENTRANCE RAMP



TYPICAL EXIT RAMP



TYPICAL EXIT RAMP

SYMBOLS

- ACTIVE WORK AREA
- SIGN ON PORTABLE OR PERMANENT SUPPORT
- FLAGGER WITH CONTROL SIGN
- TYPE II BARRICADE OR DRUM
- CONE, DRUM OR BARRICADE
- IMPACT ATTENUATOR OF TYPE AND TEST LEVEL SPECIFIED

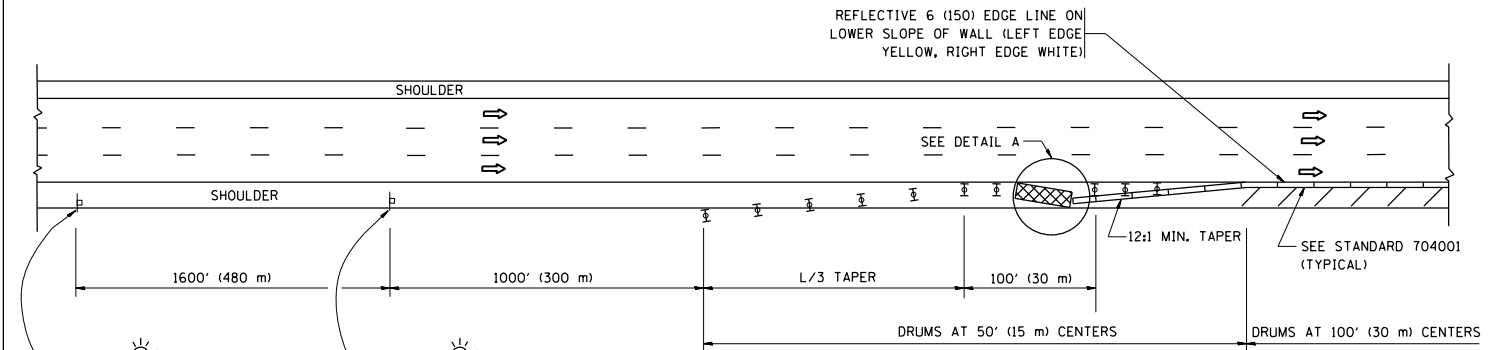
GENERAL NOTES

1. THE "L" DISTANCE EQUALS:  

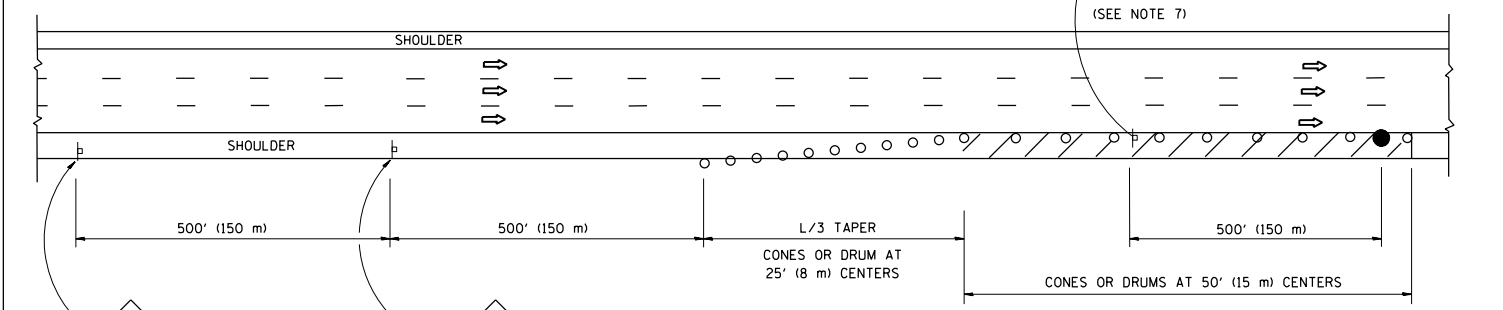
SPEED LIMIT	FORMULAS
45 mph (80 km/h)	METRIC ENGLISH
OR GREATER:	$L=0.65(W)(S)$ $L=(W)(S)$

W = WIDTH OF OFFSET IN FEET (METERS)  
 S = NORMAL POSTED SPEED MPH (KM/H)
2. TYPE II BARRICADES OR DRUMS ARE REQUIRED FOR ALL NIGHTTIME CLOSURES. TYPE II BARRICADES OR DRUMS WITH MONODIRECTIONAL STEADY BURN LIGHTS ARE REQUIRED FOR DELINEATING OBSTACLES, EXCAVATIONS, OR HAZARDS EXCEEDING 100 FT (30m) IN LENGTH AT NIGHT.
3. ALL SIGNS SHALL BE POST MOUNTED IF THE CLOSURE TIME EXCEEDS FOUR DAYS.
4. FLASHING LIGHTS SHALL BE USED DURING THE HOURS OF DARKNESS AND SHALL BE INSTALLED ABOVE THE FIRST TWO SETS OF SIGNS.
5. THE IMPACT ATTENUATOR, TEMPORARY IS NOT REQUIRED WHEN THE TEMPORARY CONCRETE BARRIER WALL IS PROTECTED BY OR IS TIED INTO THE EXISTING GUARDRAIL. IF OFFSET IS LESS THAN 5 FEET USE NARROW USE TYPE DEVICE TO MEET NCHRP350/MASH.
6. AUTHORIZATION FROM THE DISTRICT'S BUREAU OF TRAFFIC IS REQUIRED FOR ALL FREEWAY CLOSURES.
7. THE FLAGGER AND FLAGGER SIGN ARE REQUIRED AT THE ABOVE WORK SITES WHEN:
  - a. FOUR OR MORE WORK VEHICLES ENTER THE TRAFFIC LANES IN A ONE HOUR PERIOD.
  - b. THE WORK ACTIVITY REQUIRES FREQUENT ENCROACHMENT INTO THE LANE OPEN TO TRAFFIC.
 THE FLAGGER SHALL BE STATIONED APPROXIMATELY 100' (30 m) TO 200' (60 m) IN ADVANCE OF THE WORKERS.
8. 12' MIN. WIDTH TANGENT SECTION  
 16' MIN. WIDTH CURVE SECTION.

SHOULDER CLOSURE DETAILS

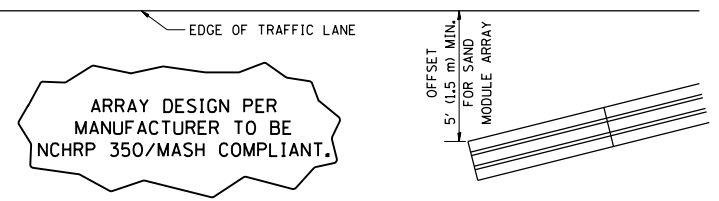


PERMANENT SHOULDER CLOSURE



DAYTIME SHOULDER CLOSURE

THIS DETAIL IS USED WHERE:  
 1. VEHICLES, EQUIPMENT, WORKERS OR THEIR ACTIVITIES ENCROACH IN AN AREA CLOSER THAN 15' (4.5 m) TO THE EDGE OF PAVEMENT FOR A PERIOD IN EXCESS OF 15 MINUTES.



DETAIL "A"  
 IMPACT ATTENUATOR, TEMPORARY  
 (SEE NOTE 5)

ALL DIMENSIONS ARE IN INCHES (MILLIMETERS) UNLESS OTHERWISE SHOWN.

FILE NAME =	USER NAME = rothjp	DESIGNED -	REVISED - S.P.B. 01-07
pw:\planroom.dot\illinois.gov\PIWIDOT\Documents\IDOT Offices\District 1\Projects\Sweeping\Drawings\6000\Drawings\Sweeping\CONTRACTOR\REVISED		DRAWN -	REVISED - S.P.B. 12-09
Default	PLOT SCALE = 100.0000' / in.	CHECKED -	REVISED - M.D. 06-13
	PLOT DATE = 2/6/2020	DATE -	REVISED - M.D. 01-18

STATE OF ILLINOIS  
 DEPARTMENT OF TRANSPORTATION

TRAFFIC CONTROL DETAILS FOR FREEWAY  
 SHOULDER CLOSURES AND PARTIAL RAMP CLOSURES

SCALE: NONE SHEET 1 OF 1 SHEETS STA. TO STA.

F.A.I. RTE.	SECTION	COUNTY	TOTAL SHEETS	SHEET NO.
55	2019-175-I	WILL	5	5
TC-17		CONTRACT NO. 62K48		
ILLINOIS FED. AID PROJECT				