



# Illinois Department of Transportation

Office of Intermodal Project Implementation / Division of Aeronautics  
1 Langhorne Bond Drive / Springfield, Illinois 62707-8415

February 18, 2020

SUBJECT: St. Louis Regional Airport  
East Alton, Illinois  
Madison County  
Illinois Project Number: ALN-4348  
SBG Project Number: 3-17-SBGP-TBD  
Contract No. SR093  
Item No. 01A, 3/06/2020 Letting  
Addendum A

## NOTICE TO PROSPECTIVE BIDDERS

Attached is an addendum to the plans or proposal. This addendum involves revised and/or added material.

### Reason for Addendum:

Clarifications to Plans and Special Provisions

### To All Plan Holders:

The following Plan Sheets are REVISED, attached, dated February 18, 2020:

Plan Sheet No. 2, Summary of Quantities and Index to Sheets  
Plan Sheet No. 7, Typical Sections  
Plan Sheet No. 9, Proposed Construction Plan  
Plan Sheet No. 10, Proposed Staking Plan  
Plan Sheet No. 11, Proposed Staking Plan (West)  
Plan Sheet No. 12, Proposed Staking Plan (East)  
Plan Sheet No. 16, Stormwater Pollution Prevention Plan

Clarification: The Revised Plan Sheets reflect a revised location for the Proposed Inlet, as well as updated grading and associated pay item quantities.

### Plan Sheet No. 13, Proposed Jointing Plan (Add. Alt. Bid):

On the right side of the plan view, **DELETE** the note which reads, "Drill dowel bars into existing concrete (incidental)".

### Special Provision Item 401900 Remove Bituminous Pavement:

Section 401-1.1: **REVISE** the first sentence to read, "This item of work shall consist of removing bituminous pavement structure, including aggregate base, as described herein.

Section 401-2.1: **REVISE** the third paragraph to read, "Material obtained from removal operations shall be hauled to a disposal site off of airport property by the Contractor. No additional compensation will be made for hauling and disposal of the removed material. Existing subgrade shall be compacted in accordance with Item 152."

-----  
Prime contractors must utilize the enclosed material when preparing their bid and must include any changes to the Schedule of Prices in their bid.

Questions on this addendum may be directed to Barry Stolz, P.E. of Hanson Professional Services at 314.942.5288.



ST. LOUIS REGIONAL  
AIRPORT AUTHORITY

ST. LOUIS REGIONAL AIRPORT  
8 TERMINAL DRIVE  
EAST ALTON, ILLINOIS 62024



SUMMARY OF QUANTITIES - BASE BID				
ITEM NO.	DESCRIPTION	UNIT	TOTAL QUANTITY	AS-BUILT QUANTITY
AR150510	ENGINEER'S FIELD OFFICE	L.S.	1	
AR150520	MOBILIZATION	L.S.	1	
AR150540	HAUL ROUTE	L.S.	1	
AR152410	UNCLASSIFIED EXCAVATION	C.Y.	845	
AR156500	TEMPORARY EROSION CONTROL	L.S.	1	
AR156530	TEMPORARY SEEDING	ACRE	0.34	
AR156531	EROSION CONTROL BLANKET	S.Y.	1,623	
AR208540	OVERSIZE AGGREGATE	TON	1,041	
AR209510	CRUSHED AGGREGATE BASE COURSE	TON	1,047	
AR401613	BIT. SURF. CSE.-METHOD I, SUPERPAVE	TON	1,975	
AR401900	REMOVE BITUMINOUS PAVEMENT	S.Y.	2,887	
AR401901	REMOVE BITUMINOUS SURFACE COURSE	S.Y.	5,613	
AR602510	BITUMINOUS PRIME COAT	GAL.	1,041	
AR603510	BITUMINOUS TACK COAT	GAL.	1,288	
AR620520	PAVEMENT MARKING-WATERBORNE	S.F.	799	
AR620525	PAVEMENT MARKING-BLACK BORDER	S.F.	843	
AR701900	REMOVE PIPE	L.F.	98	
AR705548	8" NON PERFORATED UNDERDRAIN	L.F.	31	
AR751411	INLET-TYPE A	EA.	1	
AR751900	REMOVE INLET	EA.	2	
AR751940	ADJUST INLET	EA.	1	
AR901510	SEEDING	ACRE	0.34	

SUMMARY OF QUANTITIES - ADDITIVE ALTERNATE BID				
ITEM NO.	DESCRIPTION	UNIT	TOTAL QUANTITY	AS-BUILT QUANTITY
AS152410	UNCLASSIFIED EXCAVATION	C.Y.	988	
AS156530	TEMPORARY SEEDING	ACRE	0.03	
AS156531	EROSION CONTROL BLANKET	S.Y.	146	
AS208540	OVERSIZE AGGREGATE	TON	751	
AS209510	CRUSHED AGGREGATE BASE COURSE	TON	748	
AS401900	REMOVE BITUMINOUS PAVEMENT	S.Y.	2,033	
AS501507	7" PCC PAVEMENT	S.Y.	2,122	
AS501530	PCC TEST BATCH	EA.	1	
AS901510	SEEDING	ACRE	0.03	

**GENERAL NOTES:**

**QUANTITIES**

PAYMENT WILL BE MADE UNDER THE ITEM NUMBERS, DESCRIPTIONS AND UNITS NOTED IN THE ABOVE TABLE IN ACCORDANCE WITH THE BASIS OF PAYMENT FOR EACH RESPECTIVE WORK ITEM COMPLETED AND ACCEPTED BY THE ENGINEER.

**CERTIFIED PAYROLLS**

THE RESIDENT ENGINEER/TECHNICIAN CANNOT FORWARD CONSTRUCTION REPORTS TO THE ILLINOIS DIVISION OF AERONAUTICS FOR PROCESSING UNTIL ALL CERTIFIED PAYROLLS FOR THE PERIOD HAVE BEEN RECEIVED.

**MATERIAL CERTIFICATIONS**

MATERIALS TO BE INCORPORATED INTO THE PROJECT CANNOT BE USED WITHOUT PRIOR APPROVAL. ALL MATERIALS TO BE USED IN THE PROJECT MUST BE SUBMITTED TO THE RESIDENT ENGINEER/TECHNICIAN FOR APPROVAL. USE OF MATERIALS WITHOUT PRIOR APPROVAL AND ULTIMATELY DETERMINED TO BE UNACCEPTABLE BY THE ILLINOIS DIVISION OF AERONAUTICS ARE SUBJECT TO REMOVAL AND/OR NON-PAYMENT.

INDEX TO SHEETS	
SHEET NUMBER	SHEET TITLE
1	COVER SHEET
2	SUMMARY OF QUANTITIES AND INDEX TO SHEETS
3	SCOPE OF WORK
4	PROPOSED SAFETY AND PHASING PLAN - PHASE 1
5	PROPOSED SAFETY AND PHASING PLAN - PHASE 2
6	CONSTRUCTION SAFETY AND PHASING DETAILS AND NOTES
7	TYPICAL SECTIONS
8	PROPOSED DEMOLITION PLAN
9	PROPOSED CONSTRUCTION PLAN
10	PROPOSED STAKING PLAN
11	PROPOSED STAKING PLAN (WEST)
12	PROPOSED STAKING PLAN (EAST)
13	PROPOSED JOINTING PLAN (ADD. ALT. BID)
14	PROPOSED JOINTING DETAILS AND NOTES (ADD. ALT. BID)
15	PROPOSED MARKING PLAN
16	STORM WATER POLLUTION PREVENTION PLAN
17	STORM WATER POLLUTION PREVENTION DETAILS

EARTHWORK QUANTITY SUMMARY				
WORK AREA	CUT (CY)	FILL (CY)	FILL + 20% (CY)	NET (CY)
BASE BID	845**	41	49	796 (EXCESS)
ADD. ALT. BID	988**	144	173	815 (EXCESS)

\*\* USED TO CALCULATE AR152410 AND AS152410 PAY ITEM QUANTITIES

**EARTHWORK NOTES:**

- EARTHWORK QUANTITIES (CUT/FILL VOLUMES) SHOWN ABOVE WERE CALCULATED UTILIZING AUTODESK CIVIL3D 2018 SOFTWARE THROUGH AUTOCAD. THE CALCULATION METHOD WAS BY A COMPARISON OF SURFACE MODELS CREATED WITH EXISTING SURVEY DATA AND PROPOSED DESIGN GRADES. THE VOLUMES WERE CALCULATED IN TWO PARTS: THE CUT/FILL VOLUME REQUIRED TO CORE OUT AND FILL FOR THE PROPOSED PAVEMENT SECTION AS COMPARED TO THE EXISTING SUBGRADE DATUM, AND THE CUT/FILL VOLUMES REQUIRED FOR PROPOSED GRADING WORK OUTSIDE OF THE PROPOSED PAVEMENT LIMITS AS COMPARED TO THE EXISTING GROUND SURFACE. THE NUMBERS IN THE SUMMARY TABLES ABOVE REPRESENT A TOTAL OF THESE TWO PARTS ADDED TOGETHER FOR CLARITY.
- FOLLOWING THE PROJECT AWARD, THE ENGINEER CAN PROVIDE THE RELEVANT AUTOCAD AND CIVIL 3D SURFACE MODEL FILES TO THE AWARDED CONTRACTOR UPON REQUEST TO ASSIST WITH CONSTRUCTION LAYOUT.

RECONSTRUCT  
BITUMINOUS  
T-HANGAR TAXILANE  
PAVEMENTS NEAR  
SOUTHEAST AREA OF  
MAIN RAMP

IDA No: ALN-4348

Contract No. SR093

NO.	DATE	DESCRIPTION			
		DES	DWN	REV	
1	02/18/20	DITCH GRADING	JRH	JRH	JRH

ISSUE: JANUARY 10, 2020

PROJECT NO: 19A0092

CAD FILE: G-002-FLP.DWG

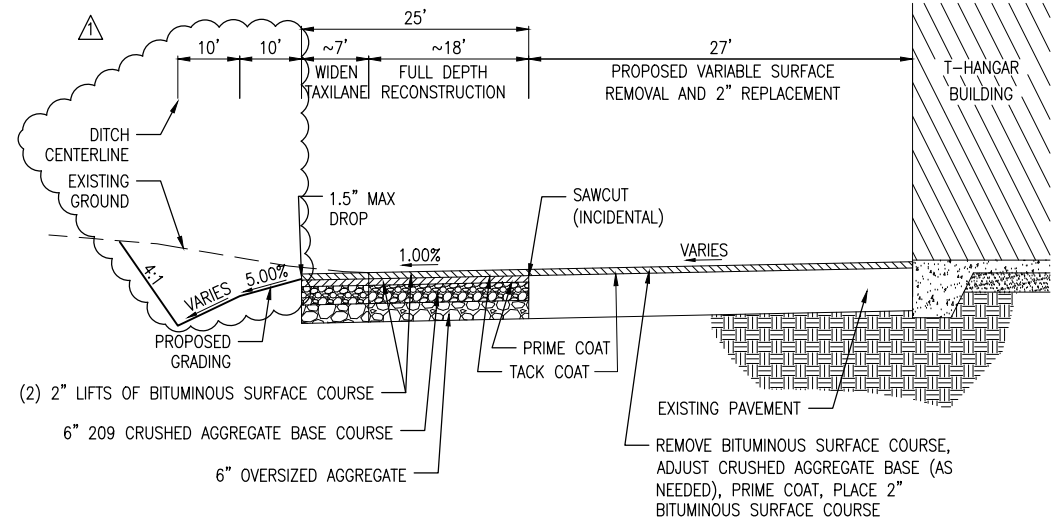
DESIGN BY: JRH 10/01/2019

DRAWN BY: JRH 10/01/2019

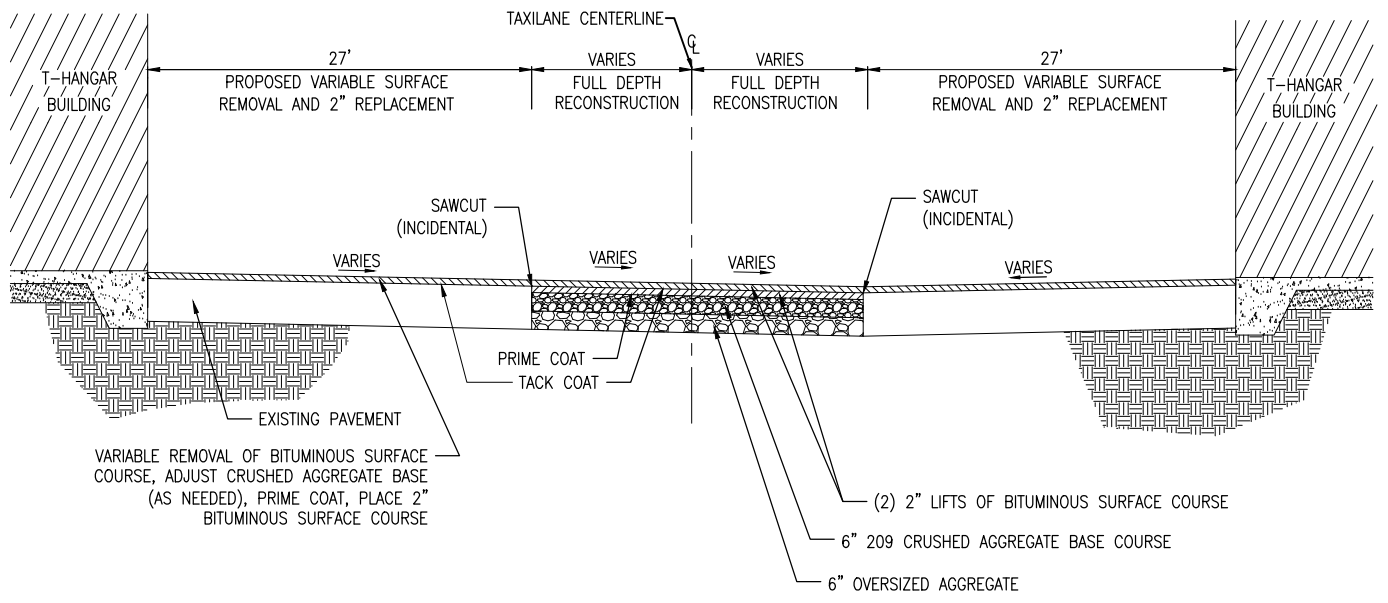
REVIEWED BY: BSS 01/08/2020

SHEET TITLE

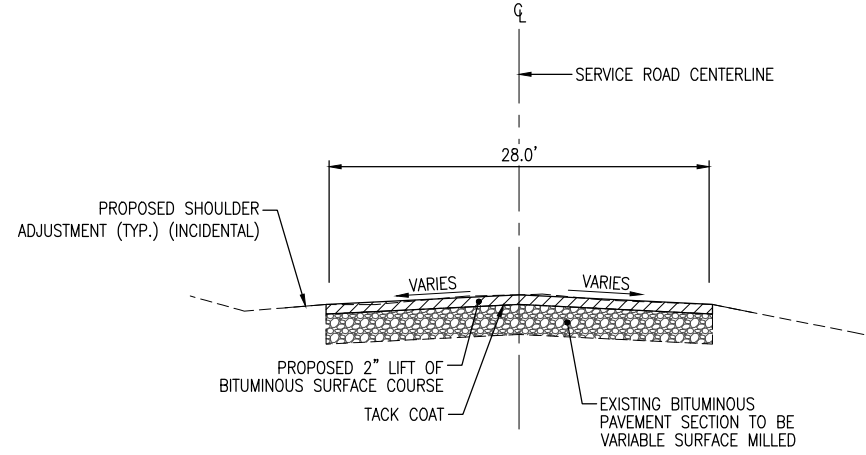
SUMMARY OF  
QUANTITIES AND  
INDEX TO SHEETS



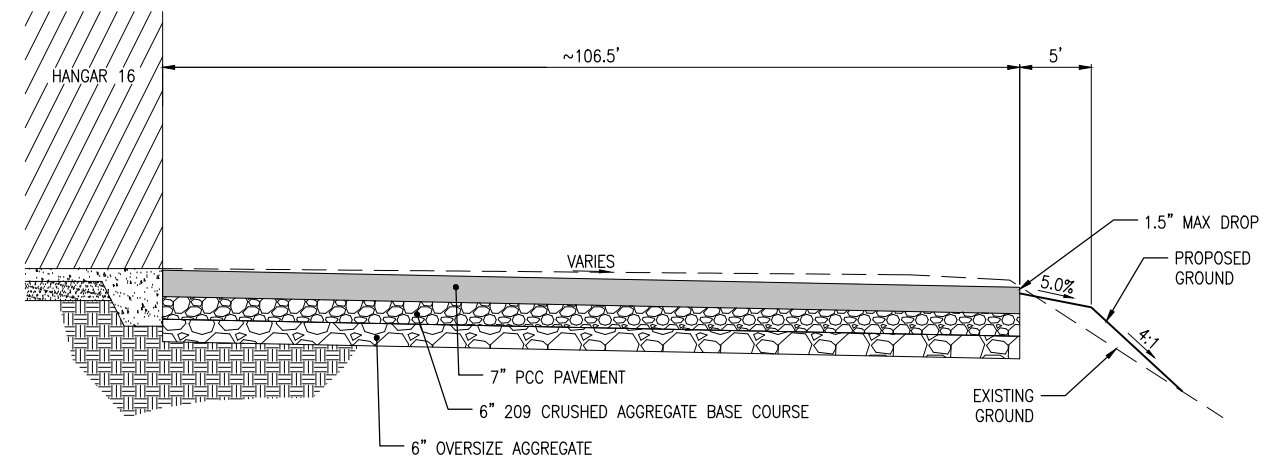
**TYPICAL SECTION - OUTSIDE TAXILANE**  
NOT TO SCALE



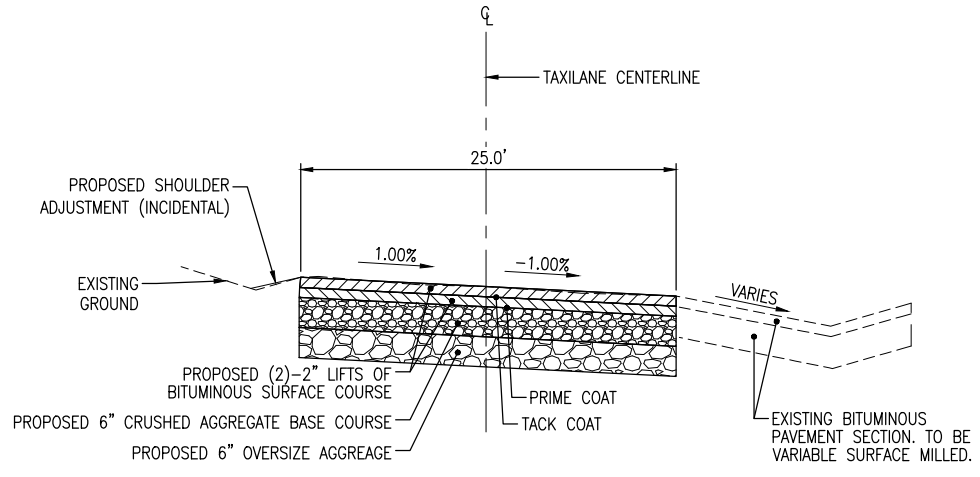
**TYPICAL SECTION - TAXILANE BETWEEN HANGARS**  
NOT TO SCALE



**PROPOSED TYPICAL SECTION - SERVICE ROAD**  
(SLOPES AND DIMENSIONS VARY NEAR INTERSECTIONS)  
NOT TO SCALE



**PROPOSED TYPICAL SECTION - HANGAR 16 APRON (ADDITIVE ALTERNATE BID)**  
NOT TO SCALE



**PROPOSED TYPICAL SECTION - MAIN TAXILANE**  
(SLOPES AND DIMENSIONS VARY NEAR EXISTING PAVEMENT)  
NOT TO SCALE

RECONSTRUCT  
BITUMINOUS  
T-HANGAR TAXILANE  
PAVEMENTS NEAR  
SOUTHEAST AREA OF  
MAIN RAMP

IDA No: ALN-4348

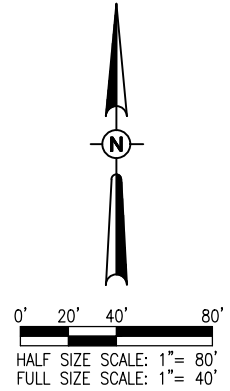
Contract No. SR093

NO.	DATE	DESCRIPTION			
		DES	DWN	REV	
1	02/18/20	DITCH GRADING	JRH	JRH	BSS

ISSUE: JANUARY 10, 2020  
PROJECT NO: 19A0092  
CAD FILE: C-301-TYP.DWG  
DESIGN BY: JRH 10/01/2019  
DRAWN BY: JRH 10/01/2019  
REVIEWED BY: BSS 01/08/2020

SHEET TITLE

TYPICAL SECTIONS

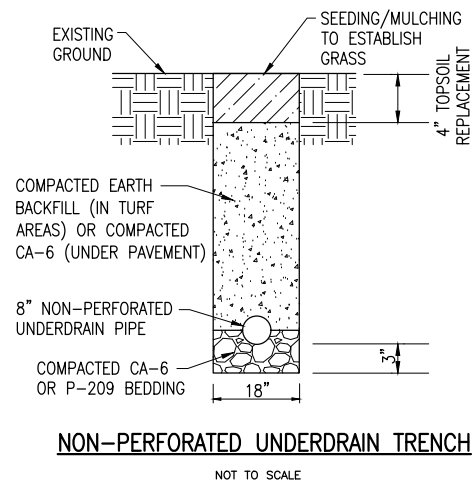
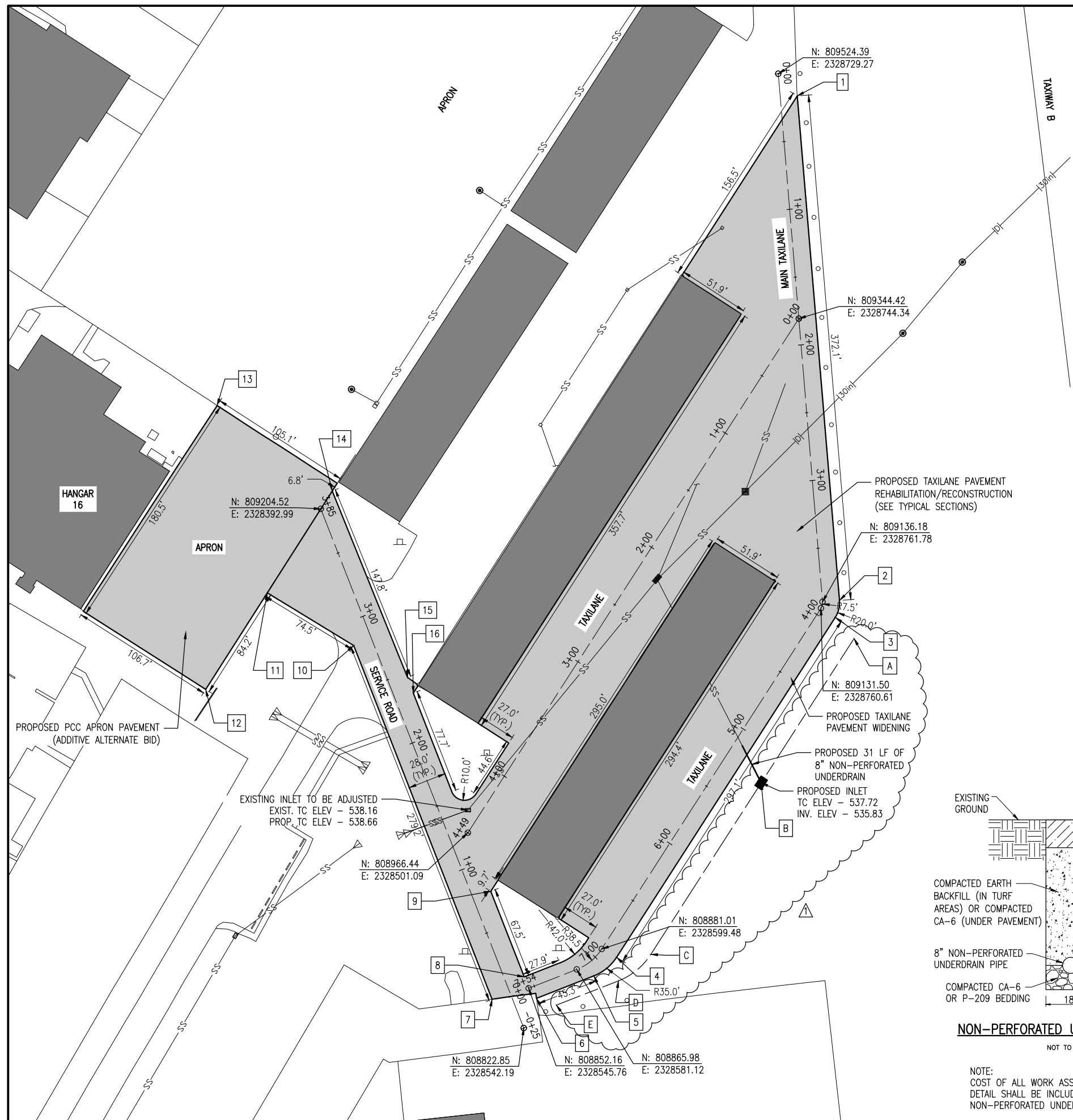


**LEGEND**

- EXISTING IMPROVEMENTS
- EXISTING BUILDINGS
- PROPOSED PAVEMENT
- EXISTING STORM SEWER
- EXISTING UNDERDRAIN
- EXISTING CLEANOUT
- PROPOSED INLET
- EXISTING INLET
- EXISTING REFLECTOR

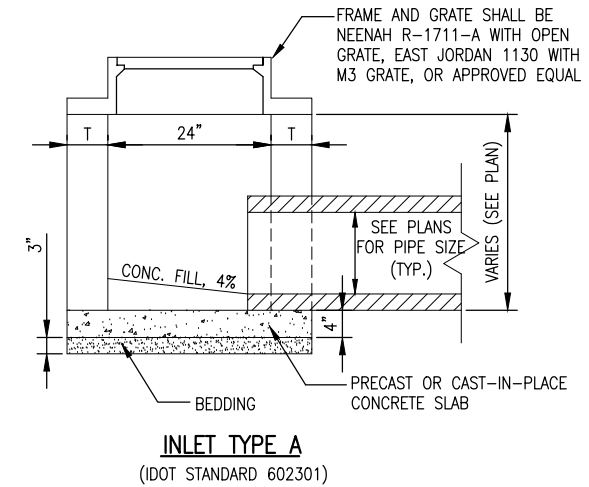
PAVEMENT KEYNOTE TABLE			
KEYNOTE NUMBER	NORTHING	EASTING	PROPOSED ELEVATION
1	809508.04	2328743.18	539.71
2	809137.23	2328774.23	539.59
3	809124.74	2328771.12	539.39
4	808874.91	2328610.42	539.80
5	808861.25	2328593.72	540.78
6	808844.75	2328551.52	542.81
7	808844.06	2328518.87	542.68
8	808860.54	2328542.49	541.81
9	808923.37	2328517.93	539.45
10	809104.08	2328417.22	540.40
11	809142.81	2328353.63	539.71
12	809071.85	2328308.38	539.71
13	809280.49	2328316.82	540.74
14	809217.69	2328401.38	540.15
15	809080.69	2328456.75	540.05
16	809069.11	2328460.96	539.90

DRAINAGE KEYNOTE TABLE			
KEYNOTE LETTER	NORTHING	EASTING	PROPOSED ELEVATION
A	809109.27	2328784.96	538.66
B	809003.16	2328716.70	537.72
C	808877.07	2328635.59	538.45
D	808857.55	2328611.74	539.75
E	808839.71	2328566.09	541.79



**NON-PERFORATED UNDERDRAIN TRENCH**  
NOT TO SCALE

NOTE:  
COST OF ALL WORK ASSOCIATED WITH THIS  
DETAIL SHALL BE INCLUDED IN COST OF D-705  
NON-PERFORATED UNDERDRAIN PIPE.



**INLET TYPE A**  
(IDOT STANDARD 602301)  
NOT TO SCALE

- NOTES:**
- SEE DRAINAGE AND UNDERDRAIN SCHEDULE FOR LOCATION, SIZE AND NUMBER OF PIPE CONNECTIONS.
  - INLETS TO BE PRECAST REINFORCED CONCRETE SECTIONS (T = 3").

FEB 18, 2020 3:08 PM HERND01562  
I:\19\JOBS\19A00921\9A0092\CAD\AIRPORT\ISHEET\121-CON.DWG

**RECONSTRUCT  
BITUMINOUS  
T-HANGAR TAXILANE  
PAVEMENTS NEAR  
SOUTHEAST AREA OF  
MAIN RAMP**

IDA No: ALN-4348

Contract No. SR093

NO.	DATE	DESCRIPTION
DES	DWN	REV
1	02/18/20	DITCH GRADING JRH JRH BSS

ISSUE: JANUARY 10, 2020  
PROJECT NO: 19A0092  
CAD FILE: C-121-CON.DWG  
DESIGN BY: JRH 10/01/2019  
DRAWN BY: JRH 10/01/2019  
REVIEWED BY: BSS 01/08/2020

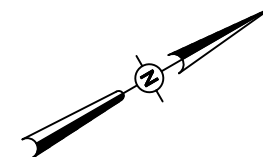
SHEET TITLE

**PROPOSED  
CONSTRUCTION  
PLAN**

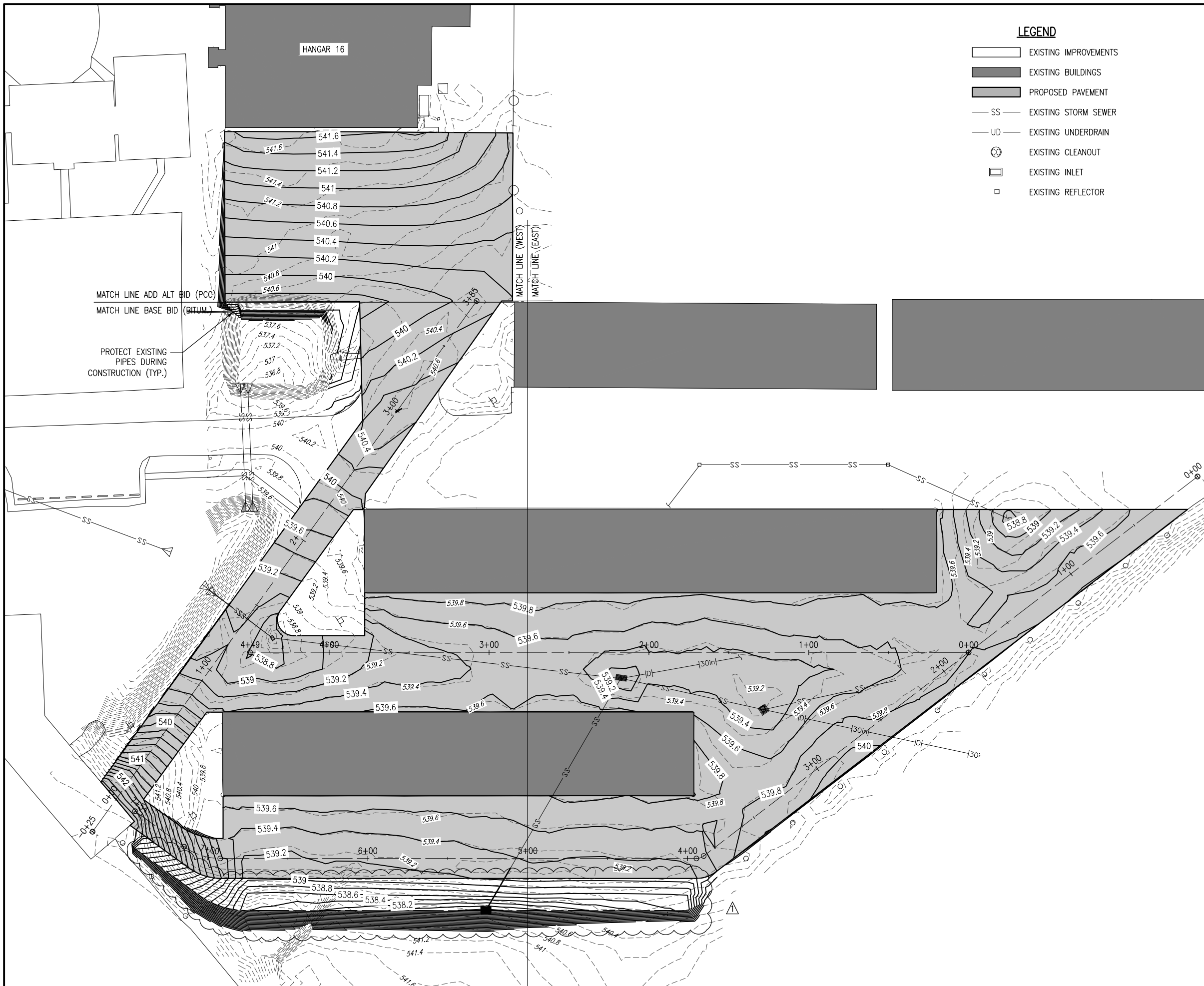


**LEGEND**

- EXISTING IMPROVEMENTS
- EXISTING BUILDINGS
- PROPOSED PAVEMENT
- EXISTING STORM SEWER
- EXISTING UNDERDRAIN
- EXISTING CLEANOUT
- EXISTING INLET
- EXISTING REFLECTOR



0' 15' 30' 60'  
HALF SIZE SCALE: 1" = 60'  
FULL SIZE SCALE: 1" = 30'



**RECONSTRUCT  
BITUMINOUS  
T-HANGAR TAXILANE  
PAVEMENTS NEAR  
SOUTHEAST AREA OF  
MAIN RAMP**

IDA No: ALN-4348

Contract No. SR093

NO.	DATE	DESCRIPTION			
		DES	DWN	REV	
1	02/18/20	DITCH GRADING	JRH	JRH	BSS

ISSUE: JANUARY 10, 2020

PROJECT NO: 19A0092

CAD FILE: C-191-STK.DWG

DESIGN BY: JRH 10/01/2019

DRAWN BY: JRH 10/01/2019

REVIEWED BY: BSS 01/08/2020

SHEET TITLE

**PROPOSED STAKING  
PLAN**



**ST. LOUIS REGIONAL  
AIRPORT AUTHORITY**

ST. LOUIS REGIONAL AIRPORT  
8 TERMINAL DRIVE  
EAST ALTON, ILLINOIS 62024



**RECONSTRUCT  
BITUMINOUS  
T-HANGAR TAXILANE  
PAVEMENTS NEAR  
SOUTHEAST AREA OF  
MAIN RAMP**

IDA No: ALN-4348

Contract No. SR093

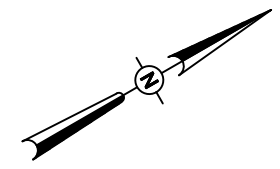
NO.	DATE	DESCRIPTION	REV		
			DES	DWN	REV
1	02/18/20	DITCH GRADING	JRH	JRH	BSS

ISSUE: JANUARY 10, 2020  
PROJECT NO: 19A0092  
CAD FILE: C-192-STK.DWG  
DESIGN BY: JRH 10/01/2019  
DRAWN BY: JRH 10/01/2019  
REVIEWED BY: BSS 01/08/2020

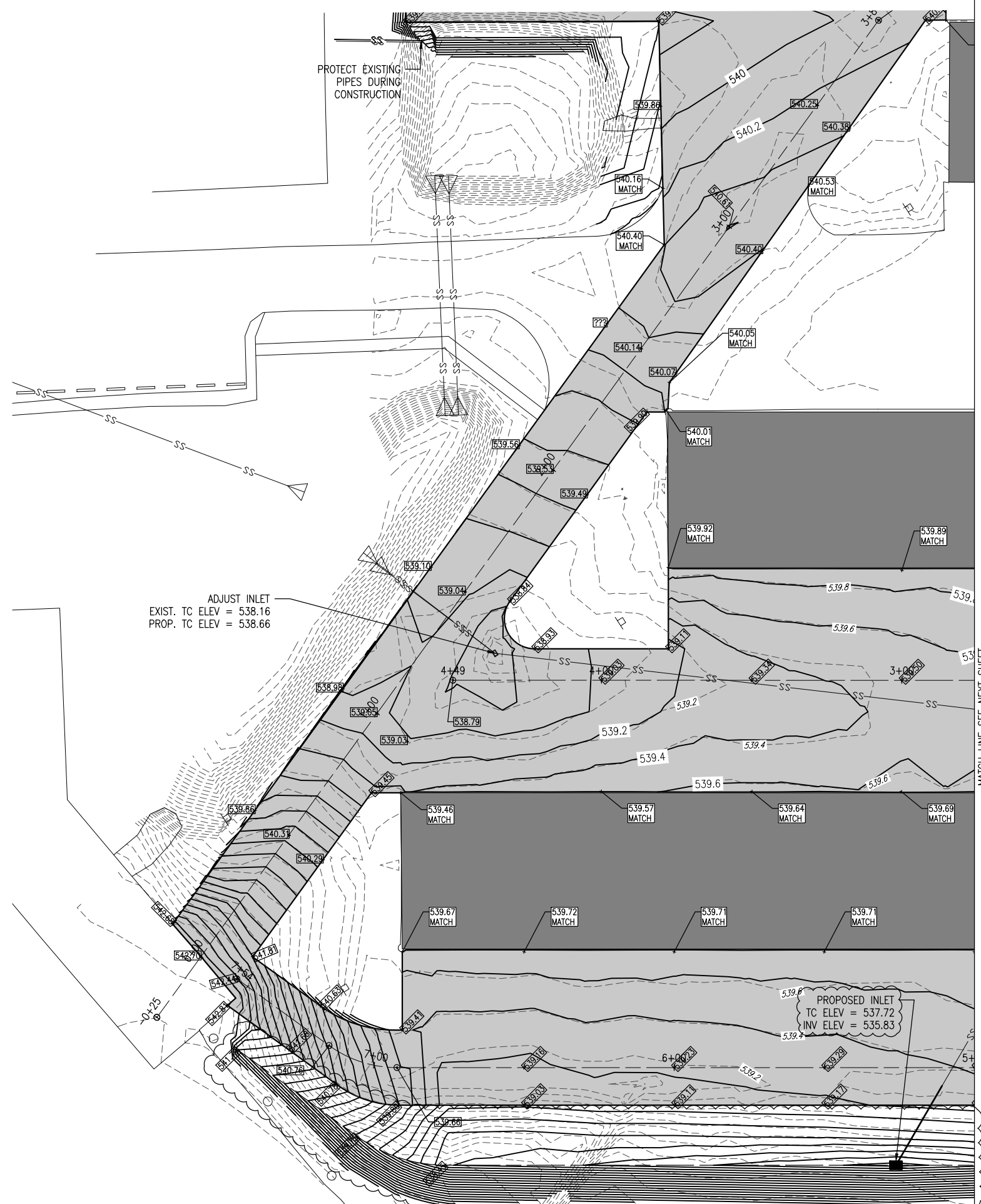
SHEET TITLE

**PROPOSED STAKING  
PLAN (WEST)**

- LEGEND**
- EXISTING IMPROVEMENTS
  - EXISTING BUILDINGS
  - PROPOSED PAVEMENT
  - EXISTING STORM SEWER
  - EXISTING UNDERDRAIN
  - EXISTING CLEANOUT
  - EXISTING INLET
  - EXISTING REFLECTOR



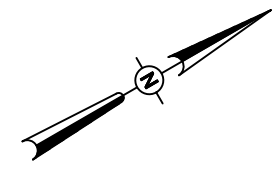
0' 10' 20' 40'  
HALF SIZE SCALE: 1" = 40'  
FULL SIZE SCALE: 1" = 20'



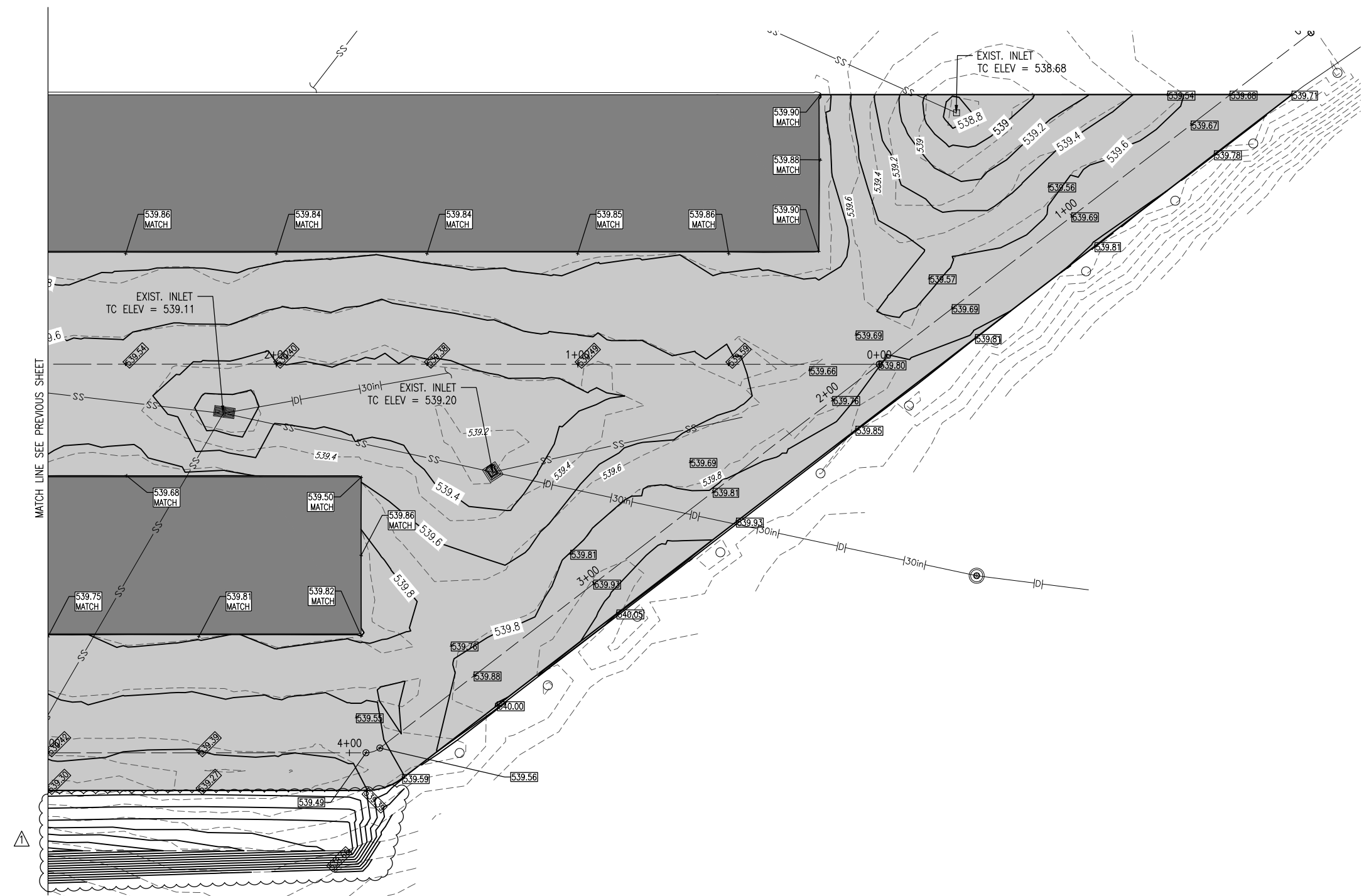


**LEGEND**

- EXISTING IMPROVEMENTS
- EXISTING BUILDINGS
- PROPOSED PAVEMENT
- EXISTING STORM SEWER
- EXISTING UNDERDRAIN
- EXISTING CLEANOUT
- EXISTING INLET
- EXISTING REFLECTOR



0' 10' 20' 40'  
HALF SIZE SCALE: 1" = 40'  
FULL SIZE SCALE: 1" = 20'



MATCH LINE SEE PREVIOUS SHEET

**RECONSTRUCT  
BITUMINOUS  
T-HANGAR TAXILANE  
PAVEMENTS NEAR  
SOUTHEAST AREA OF  
MAIN RAMP**

IDA No: ALN-4348

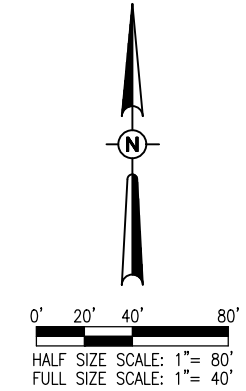
Contract No. SR093

NO.	DATE	DESCRIPTION			
		DES	DWN	REV	
1	02/18/20	DITCH GRADING	JRH	JRH	BSS

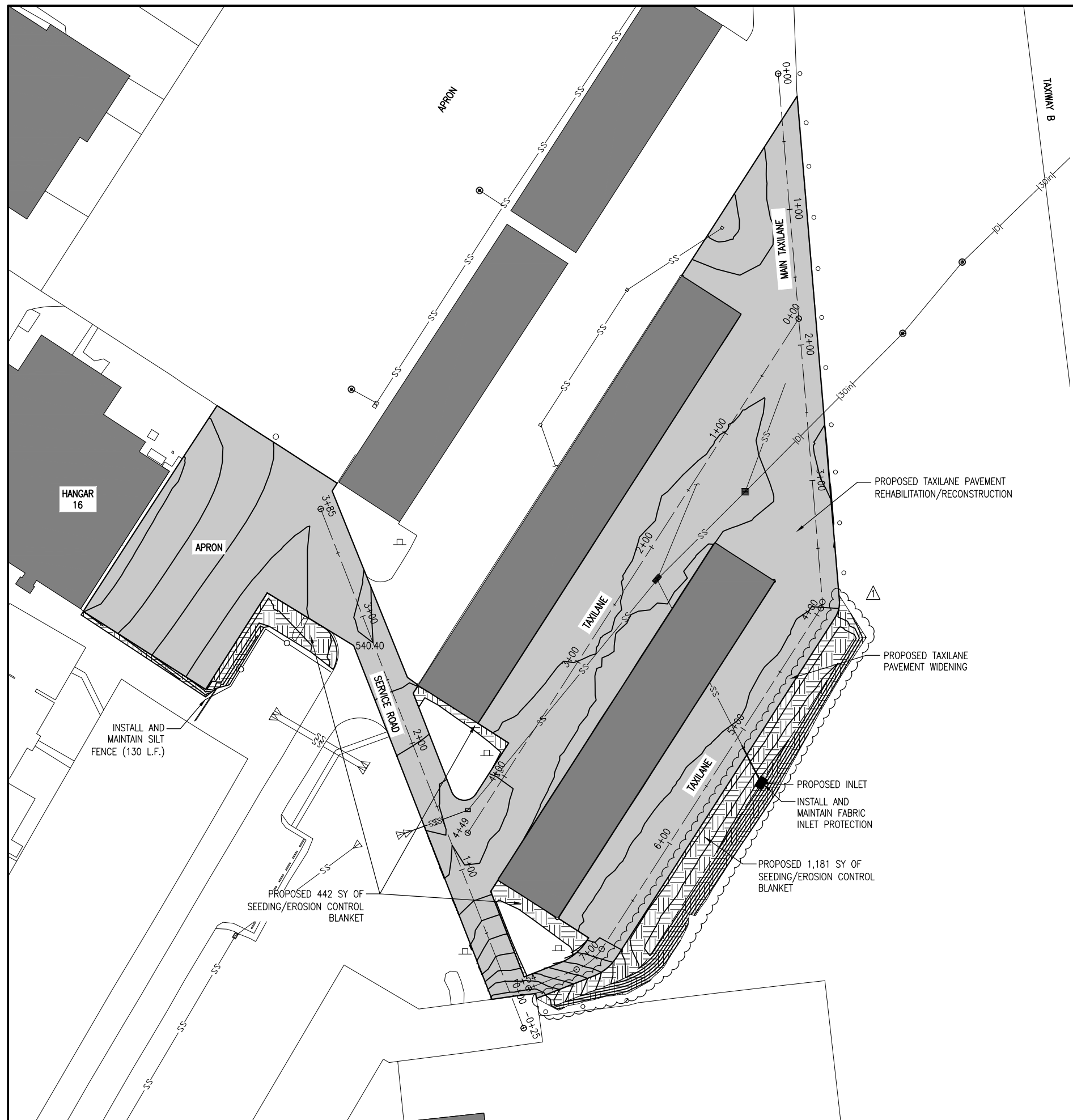
ISSUE: JANUARY 10, 2020  
PROJECT NO: 19A0092  
CAD FILE: C-192-STK.DWG  
DESIGN BY: JRH 10/01/2019  
DRAWN BY: JRH 10/01/2019  
REVIEWED BY: BSS 01/08/2020

SHEET TITLE

**PROPOSED STAKING  
PLAN (EAST)**



- LEGEND**
- EXISTING IMPROVEMENTS
  - PROPOSED IMPROVEMENTS
  - EXISTING BUILDINGS
  - PROPOSED STOCKPILE AREA
  - PROPOSED SEEDING/ EROSION CONTROL BLANKET
  - PROPOSED SILT FENCE
  - 541 - EXISTING CONTOURS
  - 541 - PROPOSED CONTOURS
  - EXISTING STORM SEWER
  - PROPOSED STORM SEWER



**STORM WATER POLLUTION PREVENTION NOTES**

1. THE CONTRACTOR SHALL IMPLEMENT ALL PROVISIONS OF THE CONTRACT DOCUMENTS TO ASSURE THAT STORM WATER POLLUTION PREVENTION ITEMS ARE CONSTRUCTED AND MAINTAINED IN A TIMELY MANNER. SEDIMENTATION MUST NOT BE TRANSPORTED OFF THE CONSTRUCTION SITE. PERMANENT DRAINAGE FEATURES AND VEGETATIVE MEASURES SHALL BE PROVIDED AS SOON AS POSSIBLE.
2. THE CONTRACTOR SHALL BE REQUIRED TO IMPLEMENT AND MAINTAIN STORM WATER POLLUTION PREVENTION PRACTICES AND MEASURES PRIOR TO THE STRIPPING OF EXISTING VEGETATION WHERE EVER POSSIBLE AND AS SOON AS CONSTRUCTION PERMITS IN OTHER AREAS. POLLUTION CONTROL MEASURES SHALL BE IN ACCORDANCE WITH THE CONTRACT DOCUMENTS, INCLUDING THESE CONSTRUCTION PLANS, AND WITH STANDARDS AND SPECIFICATIONS FOR SOIL EROSION AND SEDIMENT CONTROL, ILLINOIS ENVIRONMENTAL PROTECTION AGENCY, CURRENT ISSUE. THE CONTRACTOR SHALL ADJUST HIS OPERATIONS AND IMPLEMENT POLLUTION CONTROL MEASURES SO THAT NO RUNOFF FROM STRIPPED AREAS WILL LEAVE THE CONSTRUCTION SITE OTHER THAN THROUGH SEDIMENT TRAPS OR OTHER SUITABLE CONTROL MEASURES.
3. POLLUTION CONTROL ITEMS SHALL BE PROVIDED AS NOTED ON THE STORM WATER POLLUTION PREVENTION PLAN AND IN THE STORM WATER POLLUTION PREVENTION DETAILS AND AS DIRECTED BY THE ENGINEER. THE LIMITS OF SUCH MEASURES SHALL BE STAKED BY THE CONTRACTOR PRIOR TO THE COMMENCEMENT OF CONSTRUCTION. SUCH LIMITS MAY BE ADJUSTED BY THE ENGINEER TO ACCOUNT FOR ACTUAL SITE CONDITIONS EXPERIENCED DURING CONSTRUCTION. ADDITIONAL COMPENSATION FOR MEASURES EXCEEDING THE PLAN QUANTITIES WILL BE PAID FOR AT THE CONTRACT UNIT PRICE FOR EACH ITEM.
4. THE CONTRACTOR IS TO MAINTAIN AND ADJUST, REPAIR OR REPLACE ALL POLLUTION PREVENTION MEASURES AS REQUIRED OR AS DIRECTED BY THE ENGINEER UNTIL PERMANENT VEGETATION HAS BEEN ESTABLISHED. MAINTENANCE OF POLLUTION CONTROL MEASURES IS TO BE PROVIDED AT NO ADDITIONAL COST TO THE CONTRACT.
5. A NPDES PERMIT WILL NOT BE REQUIRED ON THE PROJECT.

**RECONSTRUCT BITUMINOUS T-HANGAR TAXILANE PAVEMENTS NEAR SOUTHEAST AREA OF MAIN RAMP**

IDA No: ALN-4348

Contract No. SR093

NO.	DATE	DESCRIPTION			
		DES	DWN	REV	
1	02/18/20	DITCH GRADING	JRH	JRH	BSS

ISSUE: JANUARY 10, 2020

PROJECT NO: 19A0092

CAD FILE: C-181-SWP.DWG

DESIGN BY: JRH 10/01/2019

DRAWN BY: JRH 10/01/2019

REVIEWED BY: BSS 01/08/2020

SHEET TITLE

**STORM WATER POLLUTION PREVENTION PLAN**