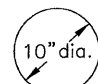


SPACING LETTERS

| | |
|------|------|
| 2.0" | |
| 1.5" | 3.5" |
| 1.5" | 3.5" |
| 1.5" | 3.5" |
| 1.5" | 3.5" |
| 3.5" | |
| 3.0" | |
| 3.5" | |
| 1.5" | 2.5" |
| 1.5" | 2.5" |
| 3.5" | |
| 1.5" | 2.0" |
| 1.5" | 2.0" |
| 2.0" | |

RECLAMATION PROJECT
of the
DEPARTMENT OF NATURAL RESOURCES
STATE OF ILLINOIS

ROD R. BLAGOJEVICH, GOVERNOR

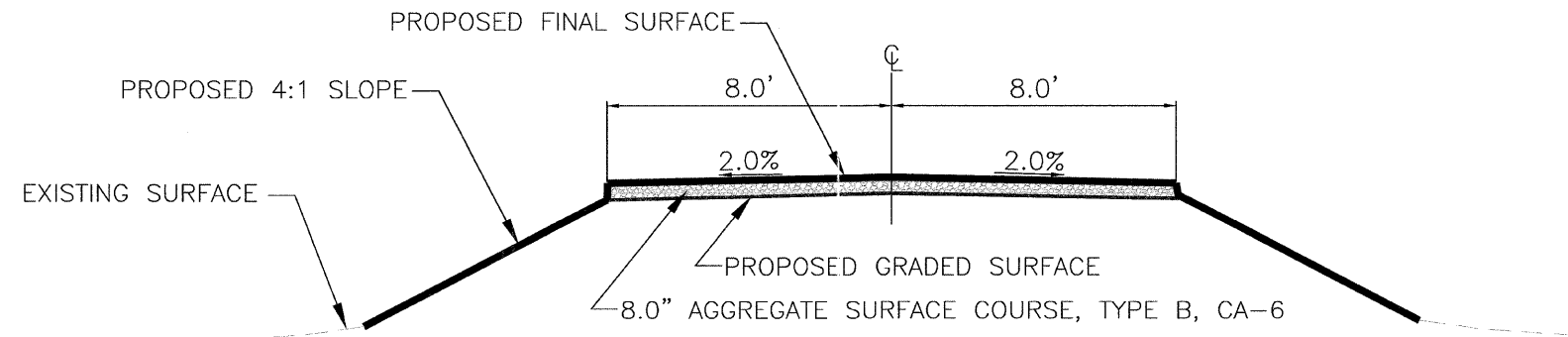

 Sam Flood, Acting Director
 Department of Natural Resources

In cooperation with the Office of Surface Mining
 United States Department of the Interior

1. Furnishing, erecting and removing the sign shall be incidental to the contract.
2. The sign shall be painted on 1/2" or thicker exterior plywood (4' x 8'), color shall be black on white, and a 10" diameter Illinois state seal shall be provided by the D.N.R.
3. The posts shall be made of 4" x 4" wood or 2.5" metal pipe, and shall be 10' long. The sign shall be securely fastened to the posts with six 2.5" long, round head wood screws (for wood posts) or four 5" long, 3/8" diameter carriage bolts (for wood or metal posts).
4. The top of the sign shall be level with the top of the posts, and the posts shall be 1' from the edges of the sign. The posts shall be set in the ground 3', so that the bottom of the sign is 3' from the ground.

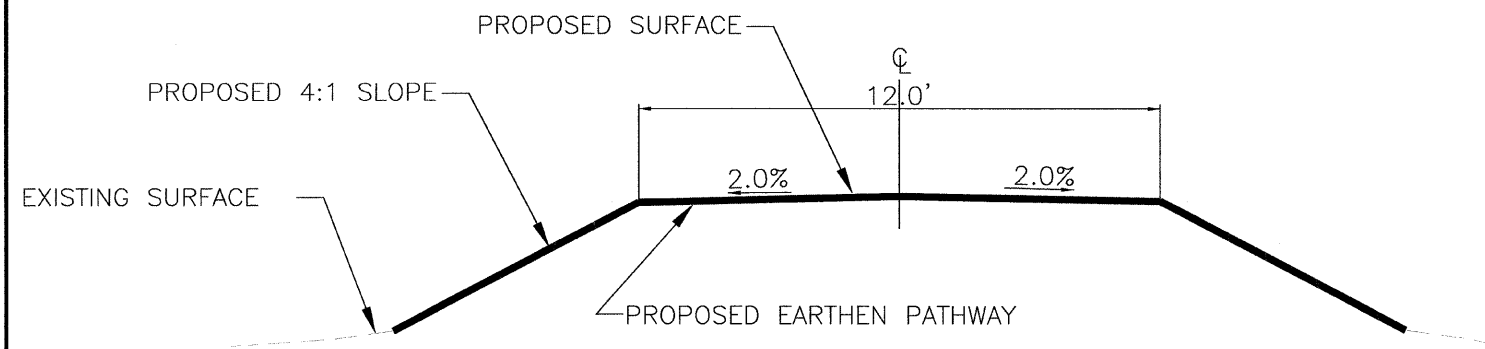
CONSTRUCTION SIGN DETAIL

DETAIL A-43, NOT TO SCALE, EXACT LOCATION TO BE SET BY ENGINEER



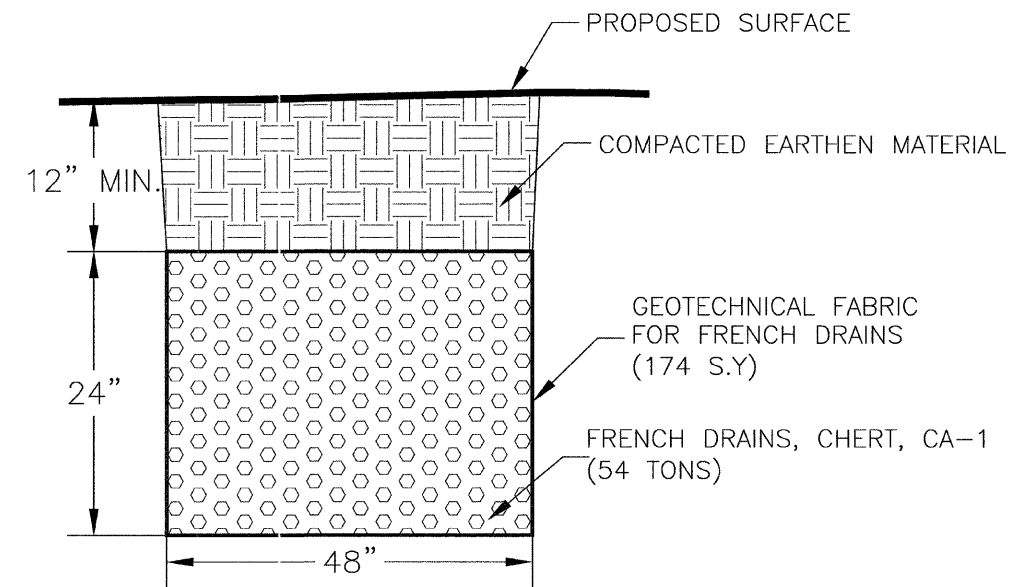
TYPICAL HAUL ROAD SECTION DETAIL

DETAIL B-43 - NOT TO SCALE



TYPICAL SPUR ROAD SECTION DETAIL

DETAIL C-43 - NOT TO SCALE



FRENCH DRAIN DETAIL

DETAIL D-43 - NOT TO SCALE