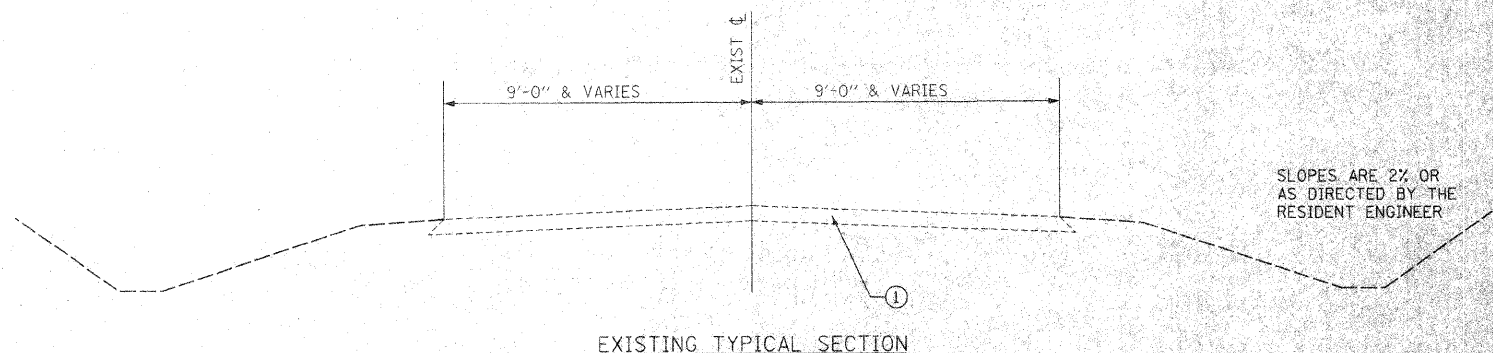
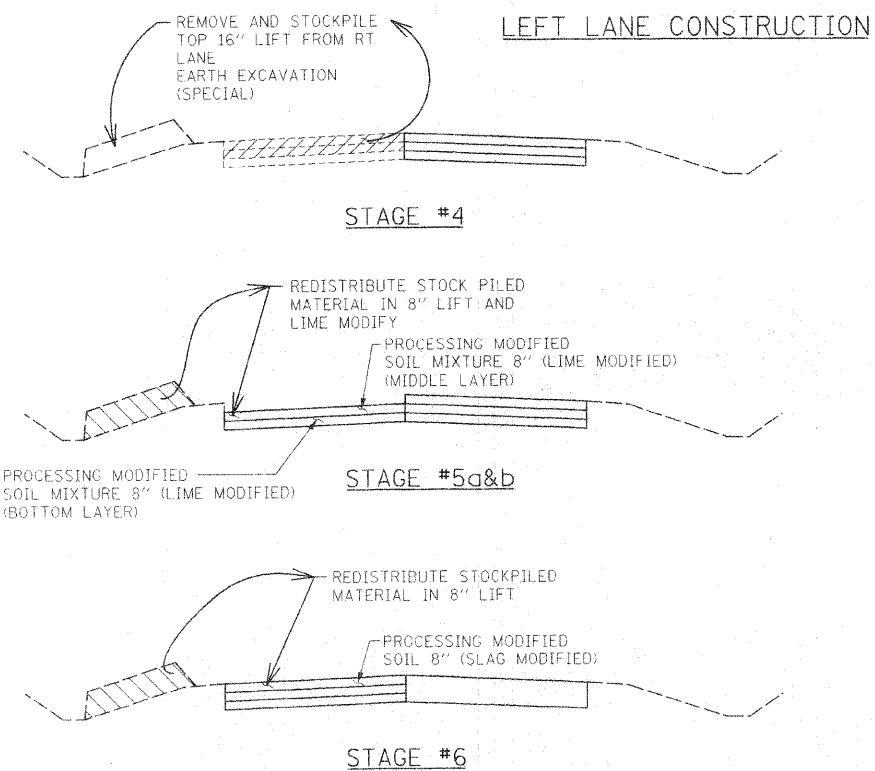
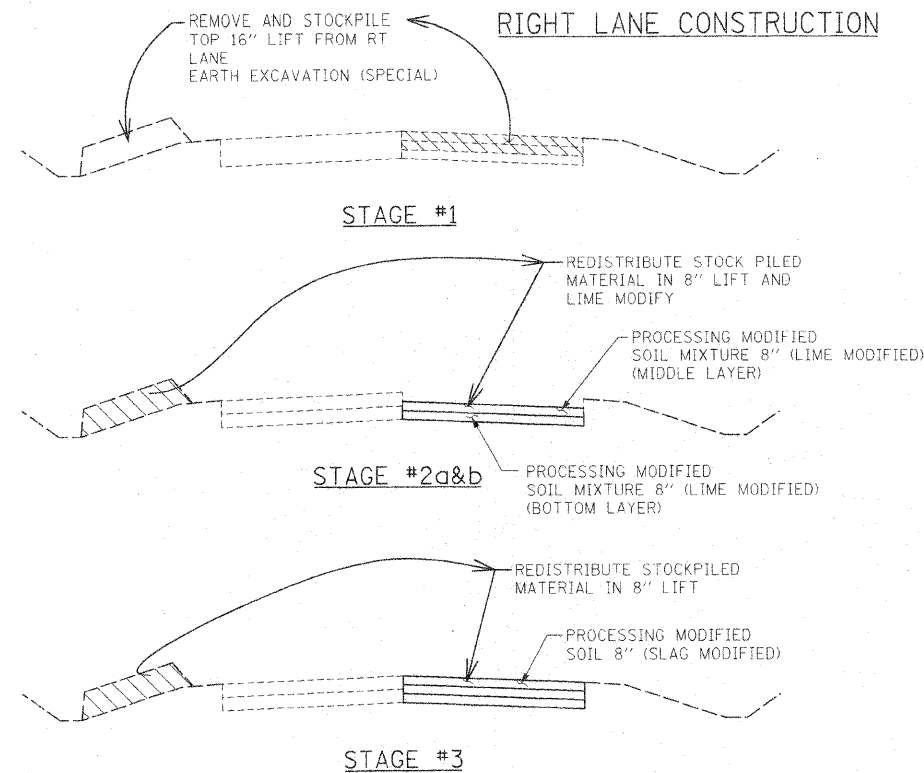


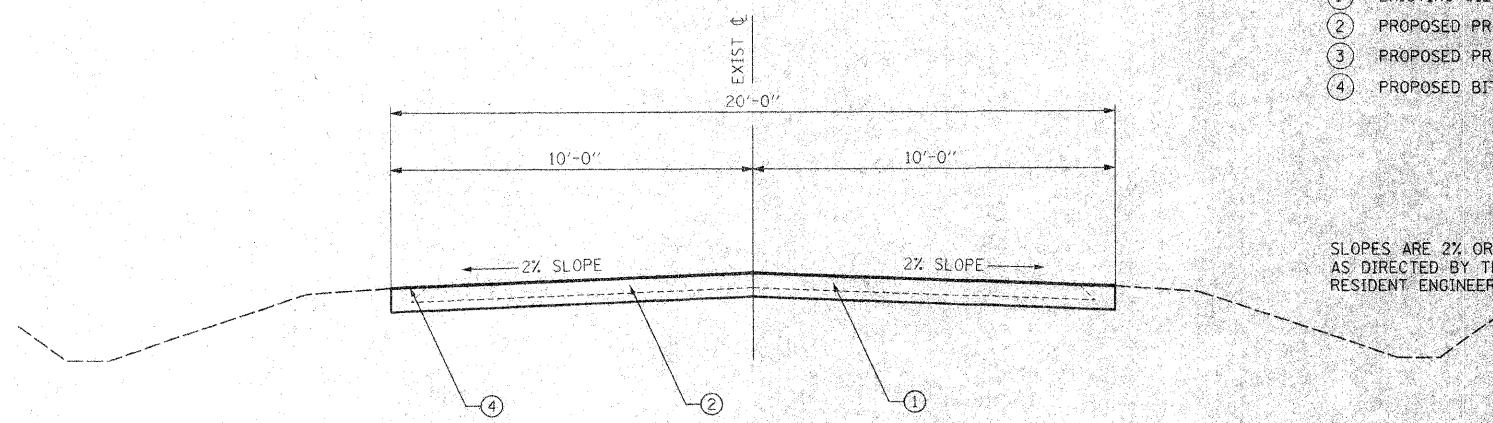
F.A. RTE.	SECTION	COUNTY	TOTAL SHEETS	SHEET NO.
		WAYNE	8	4
STA.		TO STA.		
FED. ROAD DIST. NO.		ILLINOIS FED. AID PROJECT		

# STAGING FOR LIME STABILIZED SOIL OPERATION

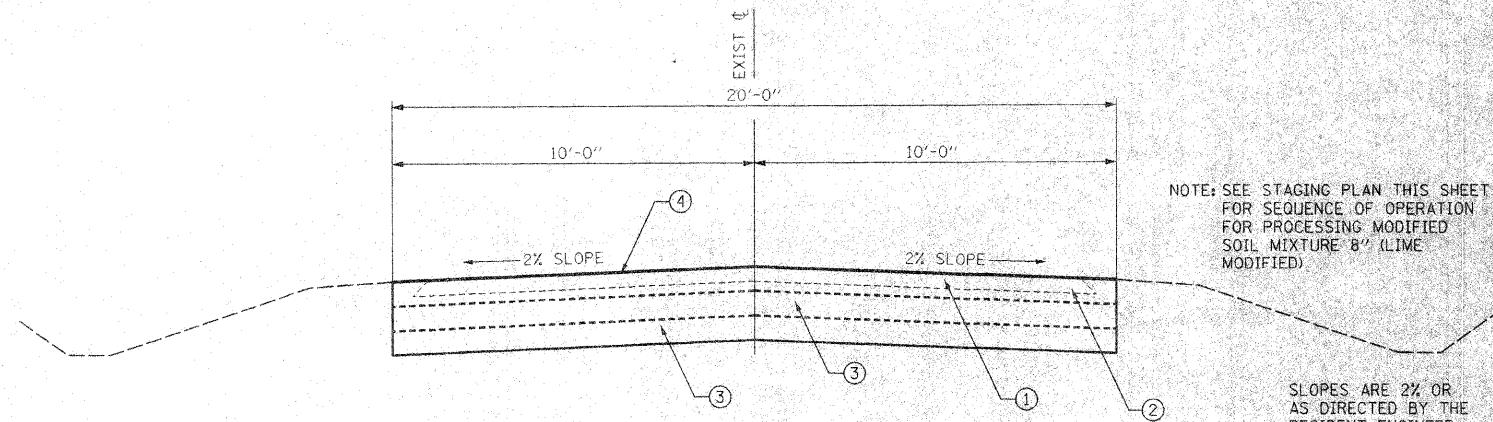
# TYPICAL SECTIONS



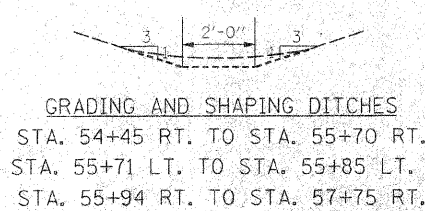
- LEGEND**
- ① EXISTING OIL AND CHIP OVER AGGREGATE SURFACE (DEPTH UNKNOWN)
  - ② PROPOSED PROCESSING MODIFIED SOIL 8" (SLAG MODIFIED)
  - ③ PROPOSED PROCESSING MODIFIED SOIL 8" (LIME MODIFIED)
  - ④ PROPOSED BITUMINOUS SURFACE TREATMENT CLASS A-2



**PROPOSED TYPICAL SECTION**  
 STA. 51+40.00 - STA. 72+16.49  
 STA. 72+77.42 - STA. 86+64.67  
 STA. 90+86.79 - STA. 96+94.65



**PROPOSED TYPICAL SECTION**  
 STA. 87+15.92 - STA. 90+37.38



REVISIONS	
NAME	DATE

ILLINOIS DEPARTMENT OF TRANSPORTATION

**TYPICAL SECTIONS AND STAGING FOR LIME STABILIZED SOIL OPERATION**

SCALE: VERT. \_\_\_\_\_  
 HORIZ. \_\_\_\_\_

DATE: 11/01/07

DRAWN BY: S.O.X.  
 CHECKED BY: T.P.

PLOT DATE = 11/01/07  
 FILE NAME = 11/01/07  
 USER NAME = RUSBYR