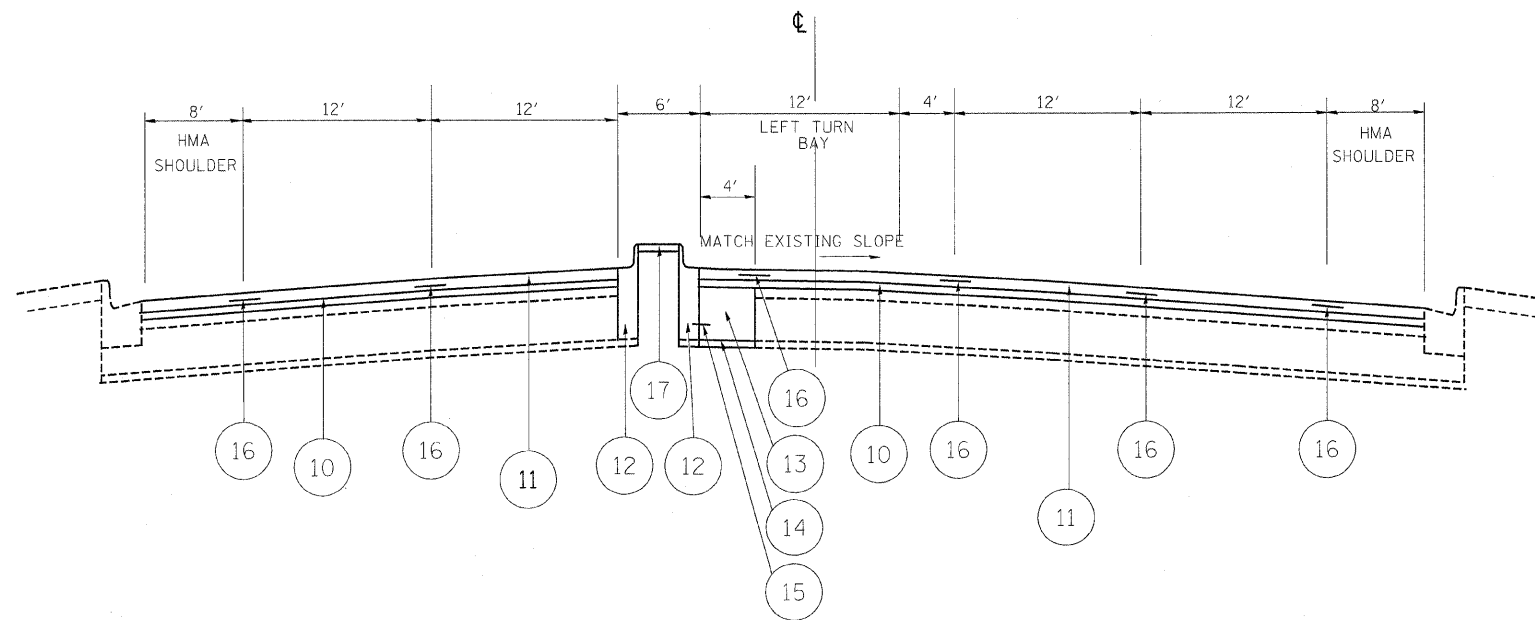


IL 31
EXISTING TYPICAL SECTION
STA. 9+22 TO STA. 20+58



IL 31
PROPOSED TYPICAL SECTION
STA. 9+22 TO STA. 20+58

LEGEND

- 1 EXISTING HOT-MIX ASPHALT SURFACE COURSE, 4 1/4" ±
- 2 EXISTING HOT MIX ASPHALT BASE COURSE, 11" ±
- 3 EXISTING P.C.C. MEDIAN
- 4 EXISTING COMPACTED EARTH
- 5 EXISTING CONCRETE CURB AND GUTTER, TYPE B-6.24
- 6 EXISTING SUB-BASE GRANULAR MATERIAL
- 7 EXISTING CURB AND GUTTER TO BE REMOVED
- 8 PROPOSED HOT MIX ASPHALT SURFACE REMOVAL, 2 1/2"
- 9 EXISTING HOT MIX ASPHALT OVERLAY AFTER MILLING
- 10 PROPOSED LEVELING BINDER (MACHINE METHOD), N70 (3/4")
- 11 PROPOSED POLYMERIZED HOT MIX ASPHALT SURFACE COURSE MIX "F", N90 1 3/4"
- 12 PROPOSED CURB AND GUTTER SB-6.12
- 13 PROPOSED P.C.C. BASE COURSE WIDENING, 11"
- 14 PROPOSED SUB-BASE GRANULAR MATERIAL, TYPE B, 6"
- 15 PROPOSED DRILL AND GROUT #6 TIE BAR, SHAPE (24" C-C), EPOXY COATED, DEFORMED. COST INCLUDED IN CONCRETE CURB AND GUTTER, TYPE SB-6.12 PAY ITEM
- 16 PROPOSED STRIP REFLECTIVE CRACK CONTROL
- 17 PROPOSED P.C.C. MEDIAN SB-6.12

FILE NAME = c:\projects\dl03488\design.o.dgn	USER NAME = banks1	DESIGNED -	REVISED -	STATE OF ILLINOIS DEPARTMENT OF TRANSPORTATION	IL. ROUTE 31 @ CRYSTAL LAKE AVENUE EXISTING AND PROPOSED TYPICAL CROSS SECTIONS			F.A.P. RTE.	SECTION	COUNTY	TOTAL SHEETS	SHEET NO.
	PLOT SCALE = 50.0000' / IN.	DRAWN -	REVISED -					336	112 R-N-1	McHenry	31	7
	PLOT DATE = 10/25/2007	CHECKED -	REVISED -					CONTRACT NO. 60D52				
	DATE -	REVISED -	ILLINOIS FED. AID PROJECT									
					SCALE:	SHEET NO.	OF	SHEETS	STA.	TO STA.		