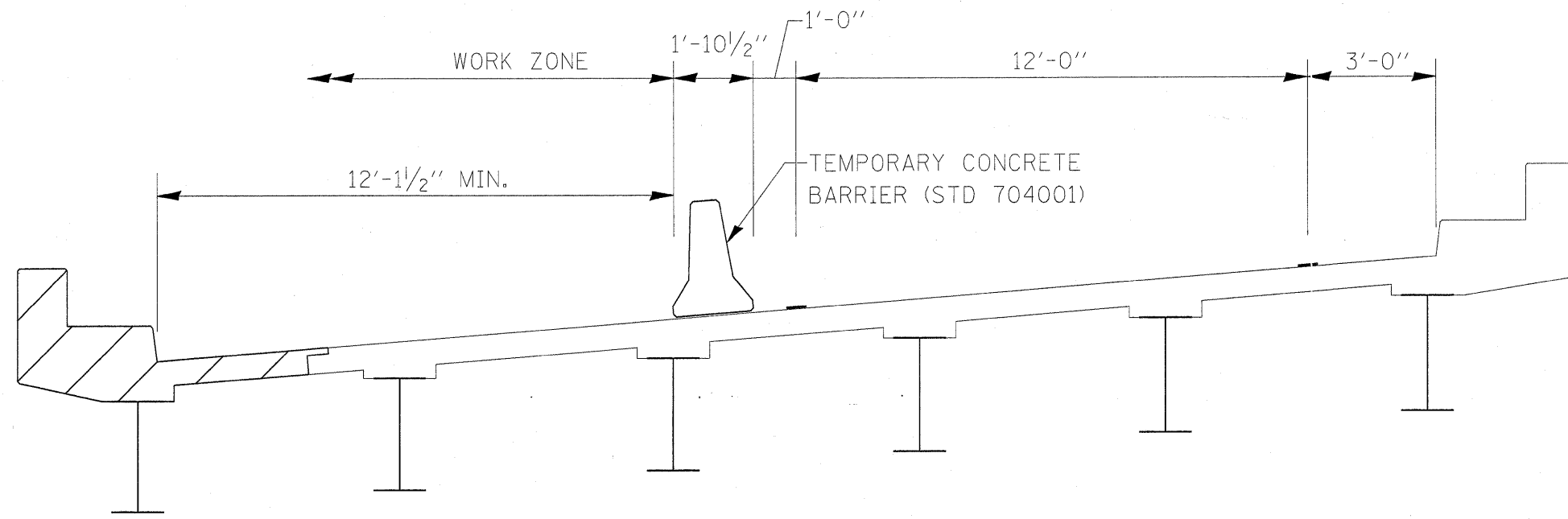


EXISTING & ORIGINAL TYPICAL SECTION



PROPOSED TYPICAL SECTION

FILE NAME = e:\projects\dl03708\design_ee.dgn	USER NAME = ansaris	DESIGNED -	REVISED -	STATE OF ILLINOIS DEPARTMENT OF TRANSPORTATION	TRAFFIC STAGING SECTIONS				F.A.P. RTE.	SECTION	COUNTY	TOTAL SHEETS	SHEET NO.
	PLOT SCALE = 50.0000' / IN.	DRAWN -	REVISED -		330	BR-H6-1-2	COOK	14	5				
PLOT DATE = 12/28/2007	DATE -	CHECKED -	REVISED -	SCALE:	SHEET NO.	OF	SHEETS	STA.	TO STA.	CONTRACT NO. 60D53			
										FED. ROAD DIST. NO. 1 ILLINOIS FED. AID PROJECT			