

STATE OF ILLINOIS  
DEPARTMENT OF TRANSPORTATION

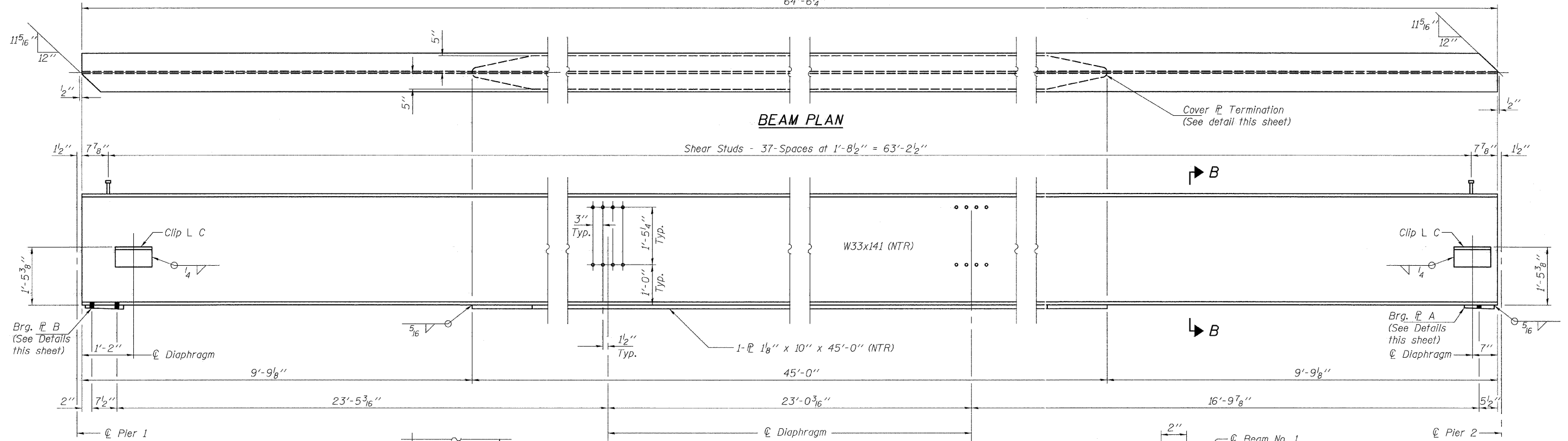
ROUTE NO.	SECTION	COUNTY	SHEET NO.	SHEET NO.
FAP 330		COOK	14	9
FED. ROAD DIST. NO. 7	ILLINOIS	FED. AID PROJECT		

Contract Number:

SHEET NO. 3

6 SHEETS

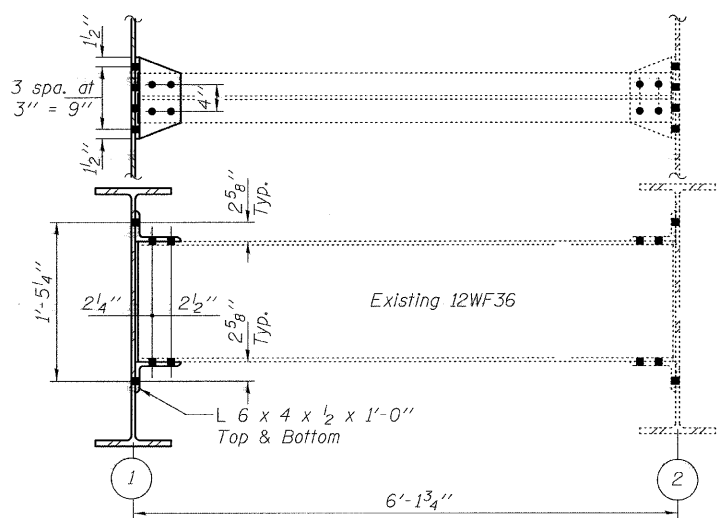
64'-6 1/4"



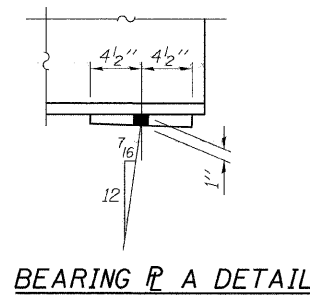
BEAM PLAN

Shear Studs - 37-Spaces at 1'-8 1/2" = 63'-2 1/2"

BEAM ELEVATION

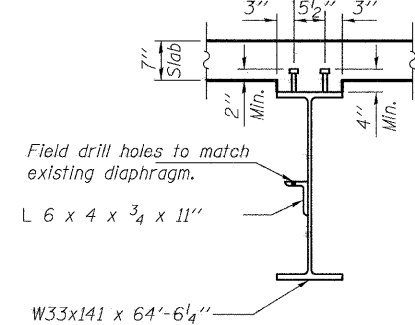


DIAPHRAGM DETAILS

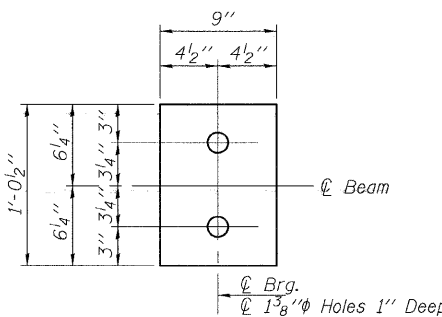


BEARING P A DETAIL

3/4" Granular or solid flux-filled headed studs automatically end welded. (Typ.) (no. Req'd = 76)

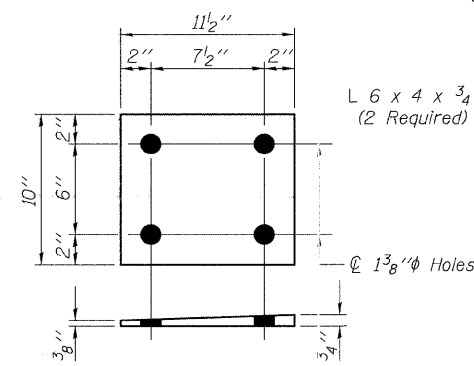


SECTION B-B



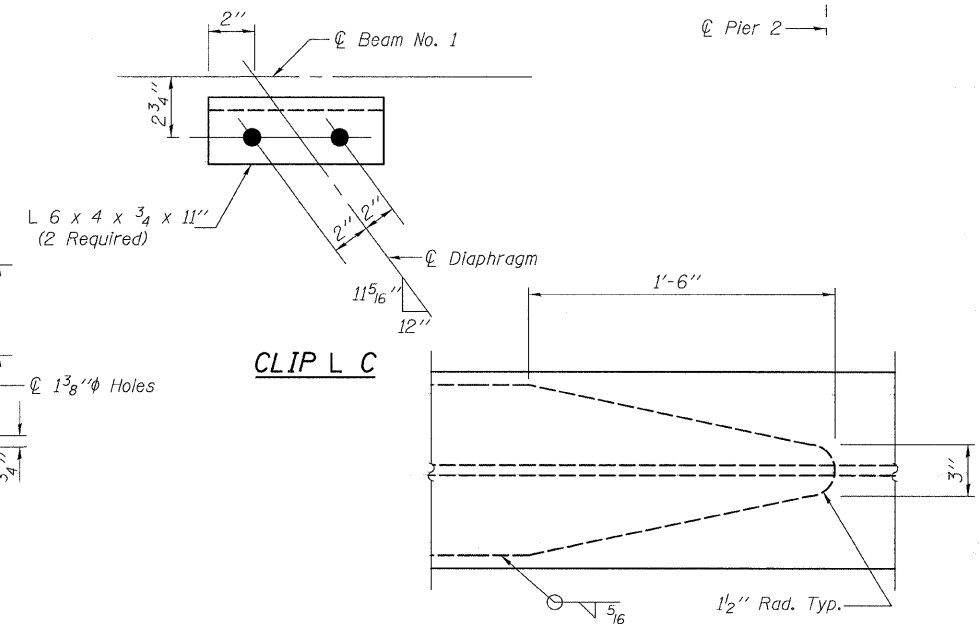
BEARING P A

(# 1 3/16" x 9" x 1'-0 1/2")  
(1 Required)



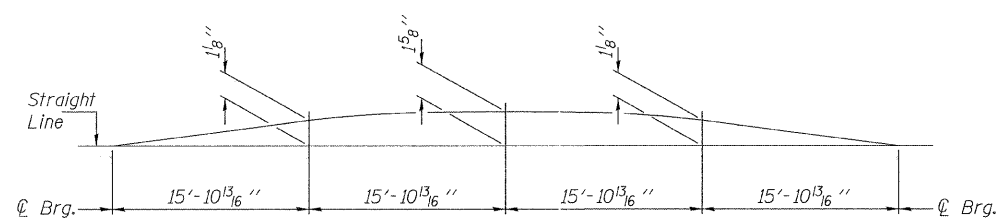
BEARING P B

# 3/4" x 11 1/2" x 10"  
(1 Required)



CLIP L C

TYPICAL COVER P TERMINATION



CAMBER DIAGRAM

DESIGNED	AJB
CHECKED	VHV
DRAWN	Steffen
CHECKED	AJB VHV

JANUARY 28, 2008  
EXAMINED *Carl Provey*  
ENGINEER OF STRUCTURAL SERVICES  
PASSED *Ralph E. Anderson*  
ENGINEER OF BRIDGES AND STRUCTURES

REPAIR DETAILS  
FAP 330 (E.B. 79th St.)  
COOK COUNTY  
SN 016-0518