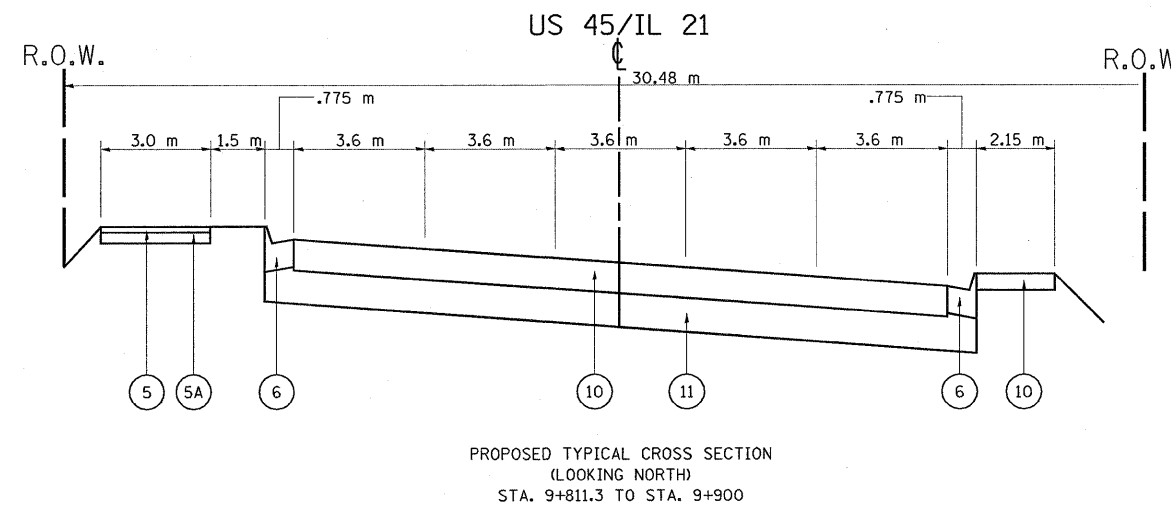
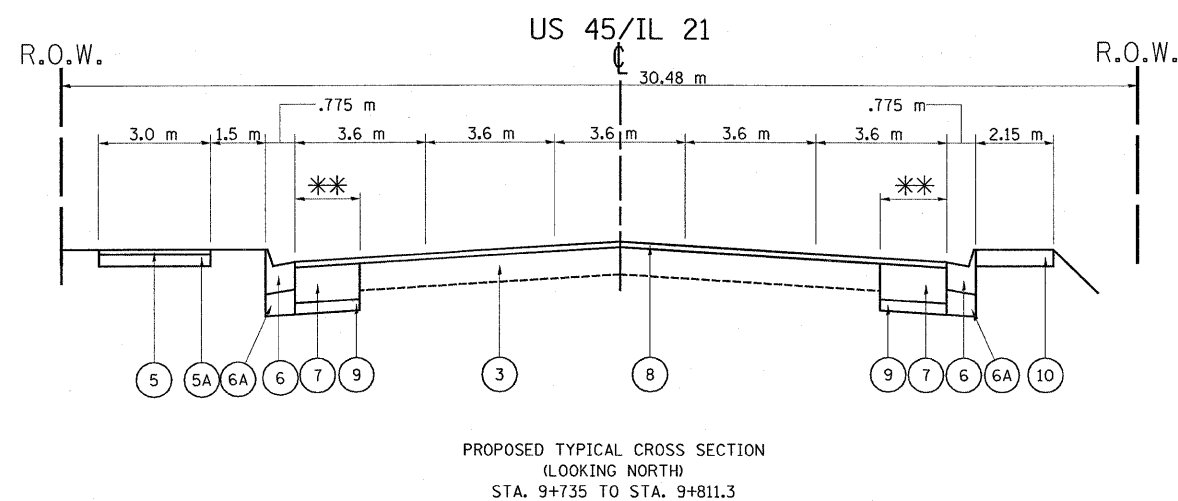
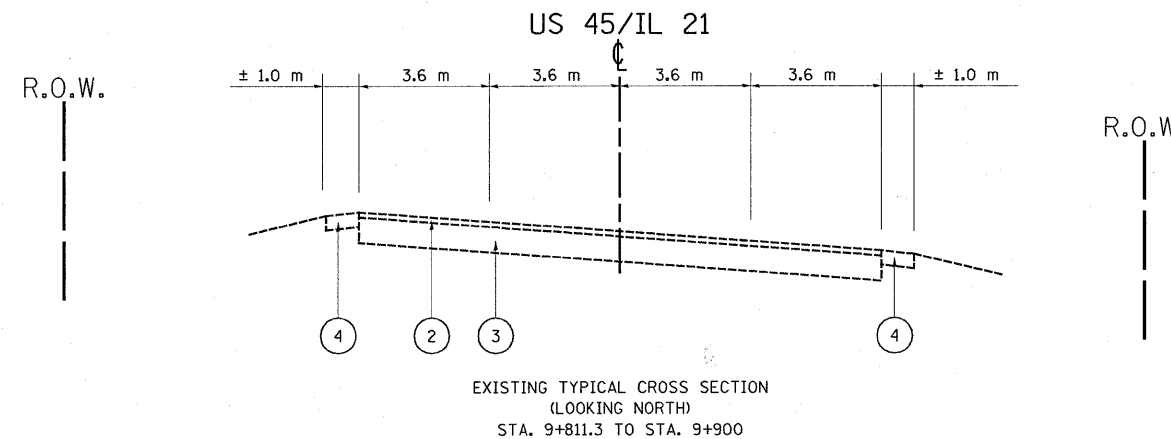
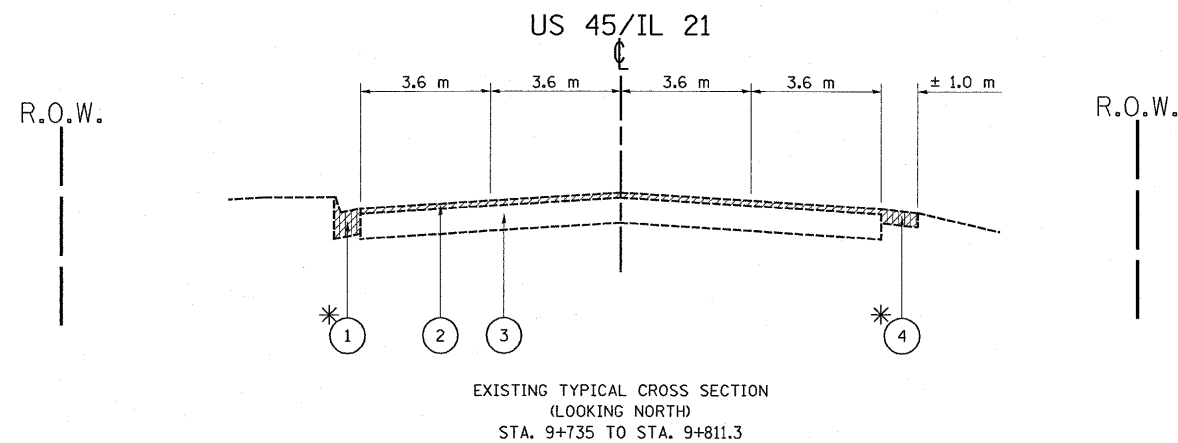


F.A.P. RTE.	SECTION	COUNTY	TOTAL SHEETS	SHEET NO.
330	1Y-B-R-1	LAKE	121	6
STA.		TO STA.		
FED. ROAD DIST. NO.		ILLINOIS FED. AID PROJECT		



LEGENDS

- ① EXISTING CONCRETE CURB & GUTTER
- ② EXISTING HMA SURFACE, 50mm
- ③ EXISTING PCC SLAB
- ④ EXISTING AGGREGATE SHOULDER TY A
- BIKE PATH
- ⑤ HMA SURFACE COURSE, MIX "C", N 50, 50mm
- ⑤A SUB-BASE GRANULAR MATERIAL, (TYP) 150 mm
- * TO BE REMOVED WHERE HATCHED
- ** 1.8 m AND VARIES, WIDENING LIMIT

- ⑥ COMB. CC & G
PROPOSED COMB. CC & G TY. B-15.60. (TYP)
- ⑥A 190 mm ADDITIONAL SUB-BASE GRANULAR MATERIAL TY B
COST INCL. IN CCC & G. NO ADDITIONAL COST
- ⑦ PROPOSED PCC BASE COURSE, 330 mm
- ⑧ PROPOSED HMA SURFACE COURSE MIX "F", N90, 50 mm
- ⑨ PROPOSED SUB-BASE GRANULAR MATERIAL, TY B, 100 mm
- ⑩ PROPOSED PCC PVT, 280mm, JOINTED
- ⑪ PROPOSED SUB-BASE GRANULAR MATERIAL, TY B, 300 mm
- ⑫ PROPOSED PCC SIDEWALK, 125mm
- ⑬ PROPOSED RETAINING WALL

REVISIONS	
NAME	DATE

ILLINOIS DEPARTMENT OF TRANSPORTATION

US 45/IL 21
OVER APTAKISIC CREEK
TYPICAL SECTION

DRAWN BY
CHECKED BY

DATE