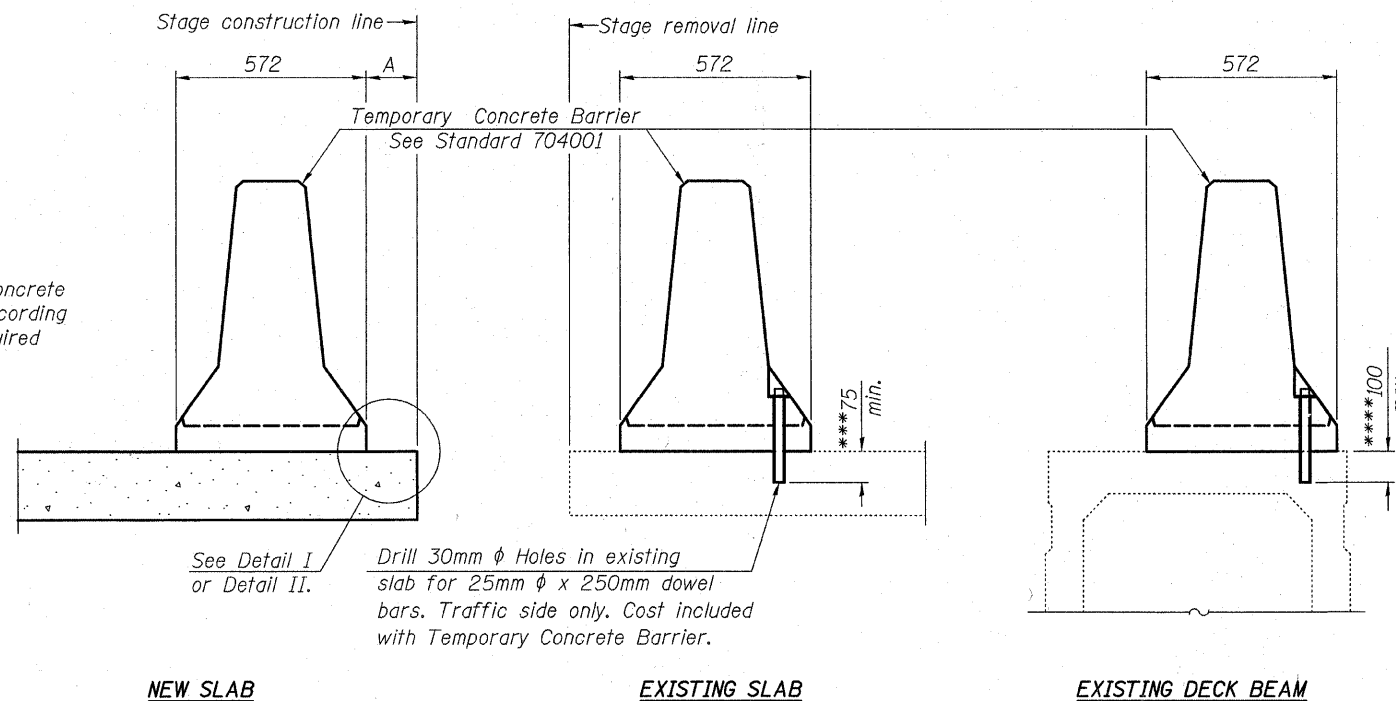


F.A.P. RTE.	SECTION	COUNTY	TOTAL SHEETS	SHEET NO.
330	1Y-B-R-1	LAKE	121	65
STA.		TO STA.		
FED. ROAD DIST. NO.		ILLINOIS	FED. AID PROJECT	

CONTRACT NO. 62032

When "A" is 1.067m or less, the temporary concrete barrier shall be anchored to the new slab according to Detail I or Detail II. No anchorage is required when "A" is greater than 1.067m.



NEW SLAB

EXISTING SLAB

EXISTING DECK BEAM

See Detail I or Detail II.
 Drill 30mm ϕ Holes in existing slab for 25mm ϕ x 250mm dowel bars. Traffic side only. Cost included with Temporary Concrete Barrier.

NOTES

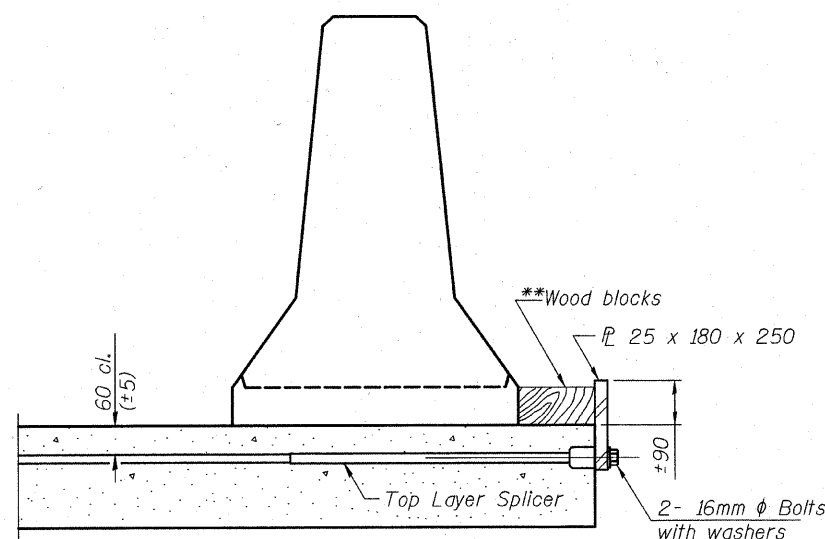
Detail I - With Bar Splicer or Couplers:
 Connect one (1) 25x180x250 steel \bar{L} to the top layer of couplers with 2- 16mm ϕ bolts screwed to coupler at approximate \bar{C} of each barrier panel.

Detail II - With Extended Reinforcement Bars:
 Connect one (1) 25x180x250 steel \bar{L} to the concrete slab or concrete wearing surface with 2- 16mm ϕ Expansion Anchors or cast in place inserts spaced between the top layer of reinforcement at approximate \bar{C} of each barrier panel.

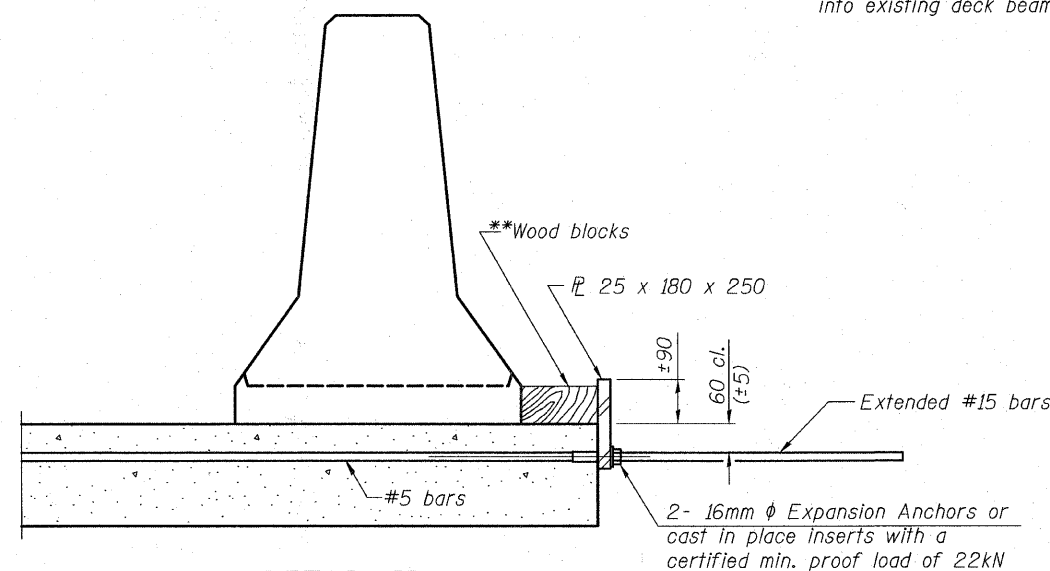
Cost of anchorage is included with Temporary Concrete Barrier. The 25x180x250 plate shall not be removed until stage II construction forms and all reinforcement bars are in place and the concrete is ready to be placed.

SECTIONS THRU SLAB OR DECK BEAM

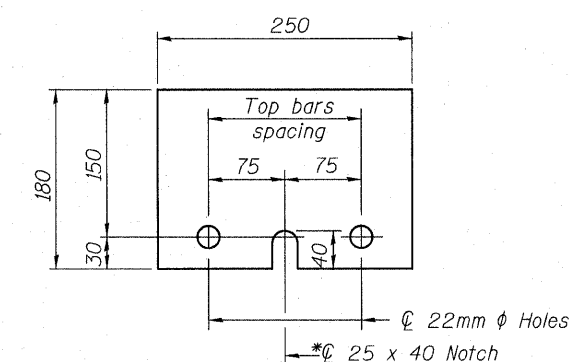
***Dimension shown is minimum required embedment into concrete. If hot-mix asphalt wearing surface is present, minimum embedment shall be in addition to wearing surface depth.
 ****If existing deck beam is to remain in place after stage construction, embedment shall only be into wearing surface and not into existing deck beam concrete.



DETAIL I



DETAIL II



STEEL RETAINER \bar{L} 25 x 180 x 250

* Required only with Detail II

**Wood blocks may be omitted when required to provide minimum stage traffic lane width. When the wood blocks are omitted, the concrete barrier shall be in direct contact with the steel retainer plate.

REVISIONS	
NAME	DATE

ILLINOIS DEPARTMENT OF TRANSPORTATION

TEMPORARY CONCRETE BARRIER FOR STAGE CONSTRUCTION

U.S. RTE. 45 / IL. RTE. 21 OVER APTAKISIC CREEK

F.A.P. RTE. 330 SECTION: 1Y-B-R-1 LAKE COUNTY STATION 10+000.000 STRUCTURE NO. 049-0194

SCALE: NONE DRAWN BY: D.L./F.M. DATE: OCTOBER 16, 2007 CHECKED BY: B.N.S.

CHRISTIAN-ROGE & ASSOC., INC. CHICAGO ILLINOIS