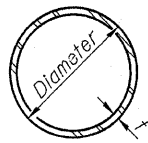


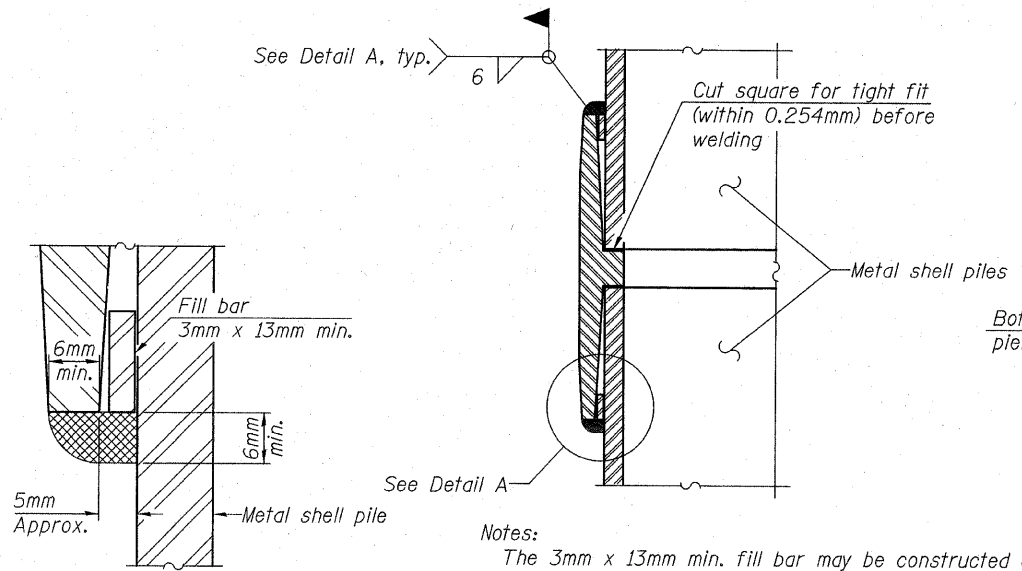
| | | | | |
|---------------------|----------|------------------|--------------|-----------|
| F.A.P. RTE. | SECTION | COUNTY | TOTAL SHEETS | SHEET NO. |
| 330 | 1Y-B-R-1 | LAKE | 121 | 66 |
| STA. | TO STA. | | | |
| FED. ROAD DIST. NO. | ILLINOIS | FED. AID PROJECT | | |

CONTRACT NO. 62032



METAL SHELL PILE TABLE

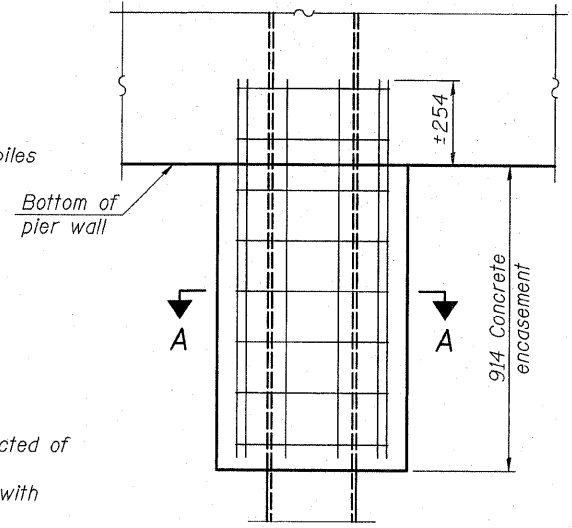
| Designation and outside diameter | Wall thickness t | Weight per foot (Kg/m) | Inside volume (m ³ /m) |
|----------------------------------|------------------|------------------------|-----------------------------------|
| PP305 | 4.55 | 33.63 | 0.0210 |
| PP305 | 6.35 | 45.68 | 0.0204 |
| PP356 | 6.35 | 54.63 | 0.0281 |
| PP356 | 7.92 | 67.87 | 0.0276 |



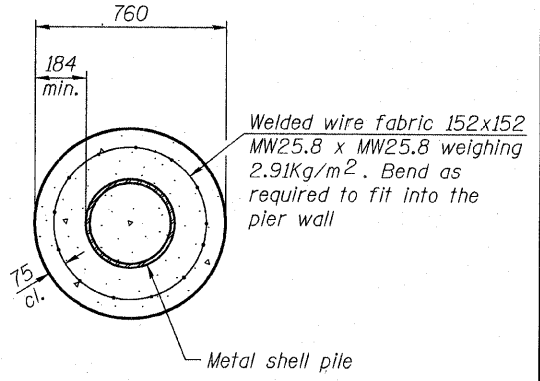
DETAIL A

Notes:
 The 3mm x 13mm min. fill bar may be constructed of 2 bars with a 3mm max. gap between them.
 Pile segments shall be driven to solid contact with splicer before welding.

WELDED COMMERCIAL SPLICE



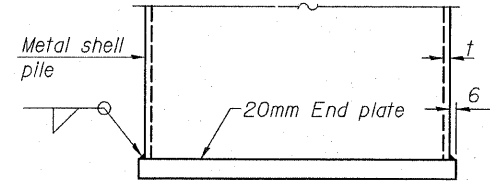
ELEVATION



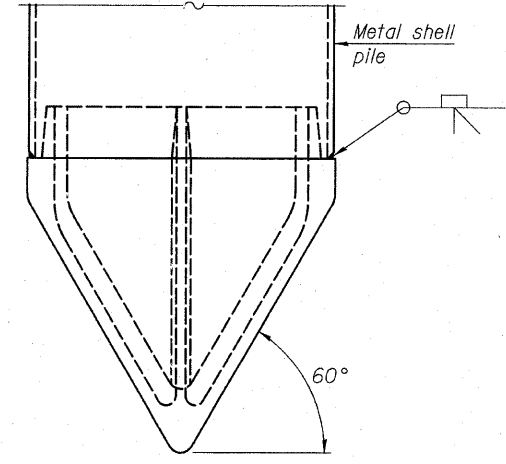
SECTION A-A

Note:
 Forms for encasement may be omitted when soil conditions permit.

CONCRETE ENCASEMENT AT PIERS



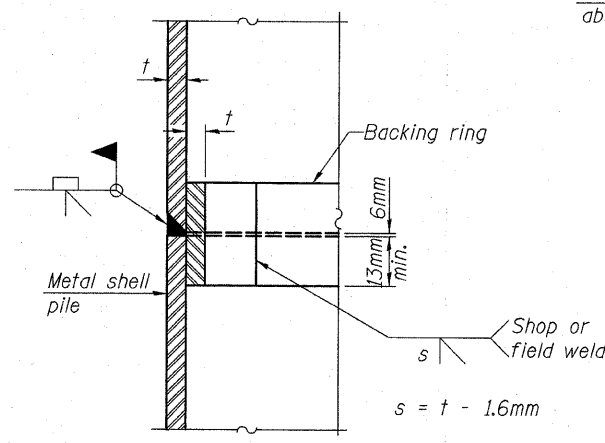
END PLATE ATTACHMENT



METAL SHELL PILE SHOE ATTACHMENT

(See Note A)

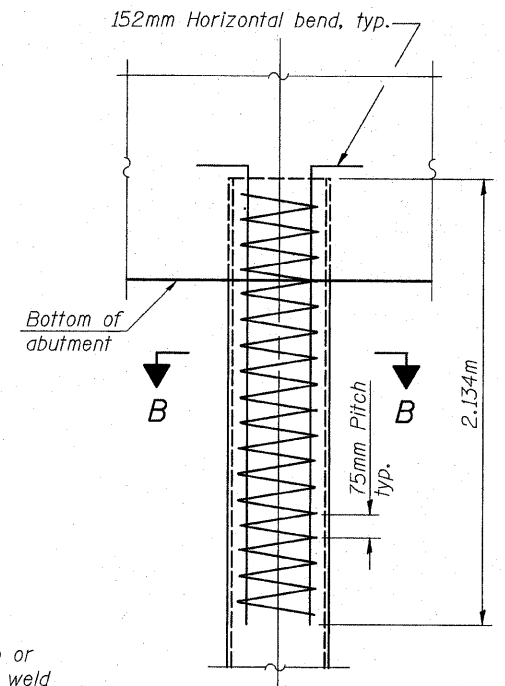
Note A:
 When called for on the plans, the Contractor shall furnish metal shell pile shoes consisting of a single piece conical pile point as shown. The pile shoes shall be cast in one piece steel according to either ASTM A 148 Grade 620-413 or AASHTO M 103M Grade 448-241 and shall provide full bearing over the full circumference of the metal shell pile. The pile shoe shall have tapered leads to assure proper alignment and fitting and shall be secured to the pile with a circumferential weld.



COMPLETE PENETRATION WELD SPLICE

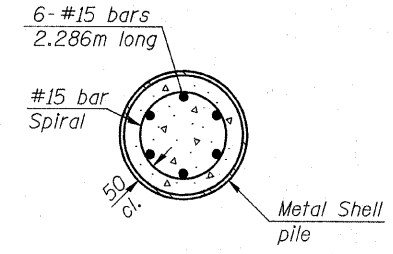
Backing ring made from pile shell. Remove segment to allow reducing circumference and vertically rejoin with partial joint penetration weld.

Note:
 The metal shell piles shall be according to ASTM A 252 Grade 3.



ELEVATION

METAL SHELL REINFORCEMENT AT ABUTMENTS



SECTION B-B

| REVISIONS | |
|-----------|------|
| NAME | DATE |
| | |
| | |
| | |
| | |

ILLINOIS DEPARTMENT OF TRANSPORTATION
 METAL SHELL PILE DETAILS
 U.S. RTE. 45 / IL. RTE. 21
 OVER
 APTAKISIC CREEK
 F.A.P. RTE. 330 SECTION: 1Y-B-R-1
 LAKE COUNTY STATION 10+000.000
 STRUCTURE NO. 049-0194
 SCALE: NONE
 DATE: OCTOBER 16, 2007
 DRAWN BY: D.L./F.M.
 CHECKED BY: B.N.S.
CHRISTIAN-ROGE & ASSOC., INC.
 CHICAGO ILLINOIS