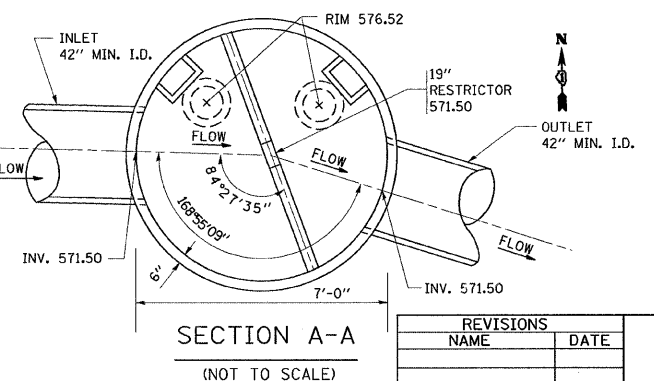
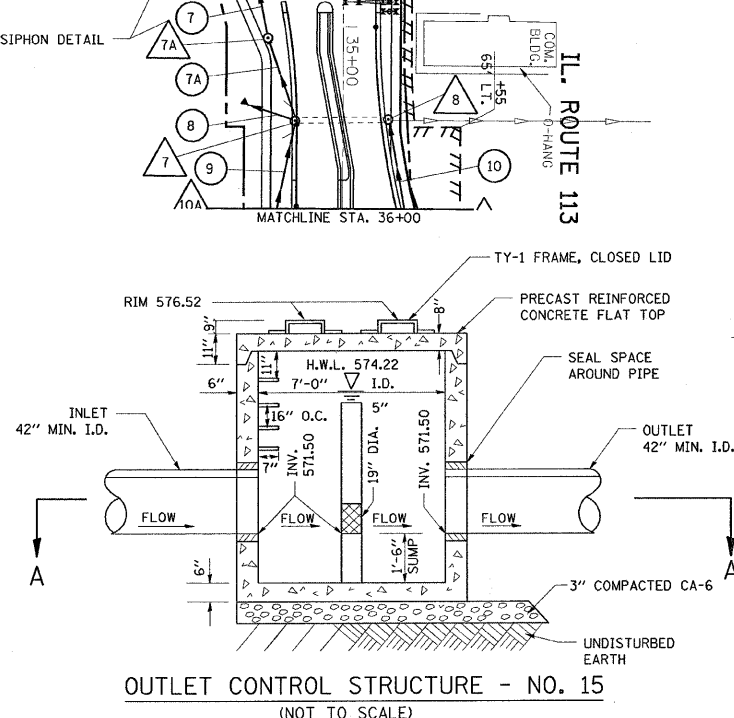
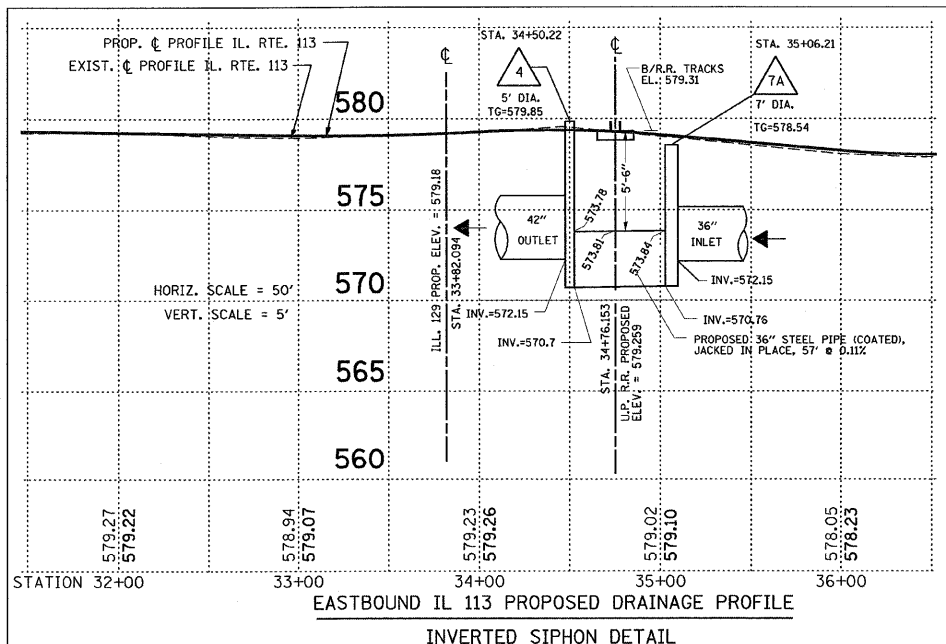
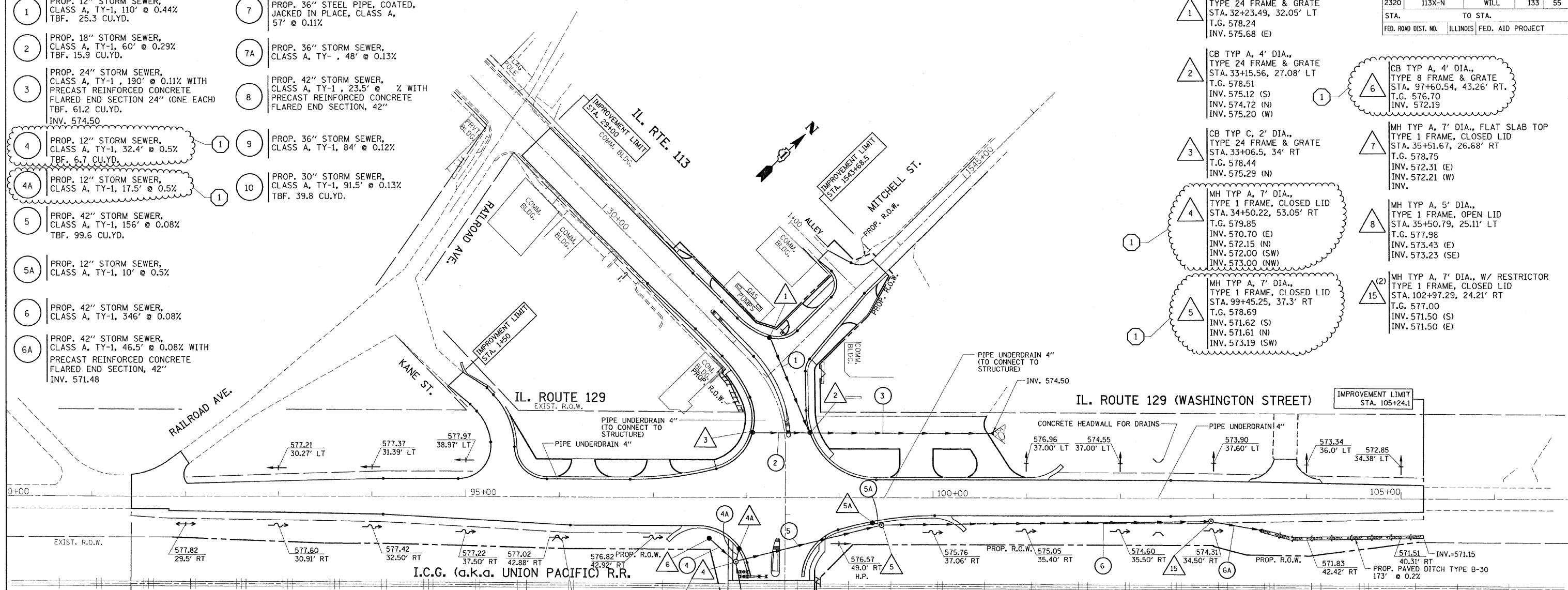


| | | | | |
|---------------------|---------|---------------------------|--------------|-----------|
| F.A.S. RTE. | SECTION | COUNTY | TOTAL SHEETS | SHEET NO. |
| 2320 | 113X-N | WILL | 133 | 55 |
| STA. | | TO STA. | | |
| FED. ROAD DIST. NO. | | ILLINOIS FED. AID PROJECT | | |

- 1 PROP. 12" STORM SEWER, CLASS A, TY-1, 110' @ 0.44% TBF. 25.3 CU.YD.
- 2 PROP. 18" STORM SEWER, CLASS A, TY-1, 60' @ 0.29% TBF. 15.9 CU.YD.
- 3 PROP. 24" STORM SEWER, CLASS A, TY-1, 190' @ 0.11% WITH PRECAST REINFORCED CONCRETE FLARED END SECTION 24" (ONE EACH) TBF. 61.2 CU.YD. INV. 574.50
- 4 PROP. 12" STORM SEWER, CLASS A, TY-1, 32.4' @ 0.5% TBF. 6.7 CU.YD.
- 4A PROP. 12" STORM SEWER, CLASS A, TY-1, 17.5' @ 0.5%
- 5 PROP. 42" STORM SEWER, CLASS A, TY-1, 156' @ 0.08% TBF. 99.6 CU.YD.
- 5A PROP. 12" STORM SEWER, CLASS A, TY-1, 10' @ 0.5%
- 6 PROP. 42" STORM SEWER, CLASS A, TY-1, 346' @ 0.08%
- 6A PROP. 42" STORM SEWER, CLASS A, TY-1, 46.5' @ 0.08% WITH PRECAST REINFORCED CONCRETE FLARED END SECTION, 42" INV. 571.48
- 7 PROP. 36" STEEL PIPE, COATED, JACKED IN PLACE, CLASS A, 57' @ 0.11%
- 7A PROP. 36" STORM SEWER, CLASS A, TY-1, 48' @ 0.13%
- 8 PROP. 42" STORM SEWER, CLASS A, TY-1, 23.5' @ 0.11% WITH PRECAST REINFORCED CONCRETE FLARED END SECTION, 42"
- 9 PROP. 36" STORM SEWER, CLASS A, TY-1, 84' @ 0.12%
- 10 PROP. 30" STORM SEWER, CLASS A, TY-1, 91.5' @ 0.13% TBF. 39.8 CU.YD.

- 1 CB TYP C, 2' DIA., TYPE 24 FRAME & GRATE STA. 32+23.49, 32.05' LT T.G. 578.24 INV. 575.68 (E)
- 2 CB TYP A, 4' DIA., TYPE 24 FRAME & GRATE STA. 33+15.56, 27.08' LT T.G. 578.51 INV. 575.12 (S) INV. 574.72 (N) INV. 575.20 (W)
- 3 CB TYP C, 2' DIA., TYPE 24 FRAME & GRATE STA. 33+06.5, 34' RT T.G. 578.44 INV. 575.29 (N)
- 4 MH TYP A, 7' DIA., TYPE 1 FRAME, CLOSED LID STA. 34+50.22, 53.05' RT T.G. 579.85 INV. 570.70 (E) INV. 572.15 (N) INV. 572.00 (SW) INV. 573.00 (NW)
- 5 MH TYP A, 7' DIA., TYPE 1 FRAME, CLOSED LID STA. 39+45.25, 37.3' RT T.G. 578.69 INV. 571.62 (S) INV. 571.61 (N) INV. 573.19 (SW)
- 6 CB TYP A, 4' DIA., TYPE 8 FRAME & GRATE STA. 37+60.54, 43.26' RT. T.G. 576.70 INV. 572.19
- 7 MH TYP A, 7' DIA., FLAT SLAB TOP TYPE 1 FRAME, CLOSED LID STA. 35+51.67, 26.68' RT T.G. 578.75 INV. 572.31 (E) INV. 572.21 (W) INV.
- 8 MH TYP A, 5' DIA., TYPE 1 FRAME, OPEN LID STA. 35+50.79, 25.11' LT T.G. 577.98 INV. 573.43 (E) INV. 573.23 (SE)
- 15(2) MH TYP A, 7' DIA., W/ RESTRICTOR TYPE 1 FRAME, CLOSED LID STA. 102+97.29, 24.21' RT T.G. 577.00 INV. 571.50 (S) INV. 571.50 (E)



| REVISIONS | |
|-----------|------|
| NAME | DATE |
| | |
| | |
| | |
| | |

ILLINOIS DEPARTMENT OF TRANSPORTATION

PROPOSED DRAINAGE AND UTILITIES PLAN

IL. 113 (IL. 129 TO IL. 53)

SCALE: 1"=50'

DATE= 11/5/2007

DRAWN BY _____

CHECKED BY _____

PLOT DATE = 11/5/2007
 FILE NAME = c:\p\projects\113\113.dwg
 USER NAME = j...
 USER NAME = j...