

STATE OF ILLINOIS
DEPARTMENT OF TRANSPORTATION

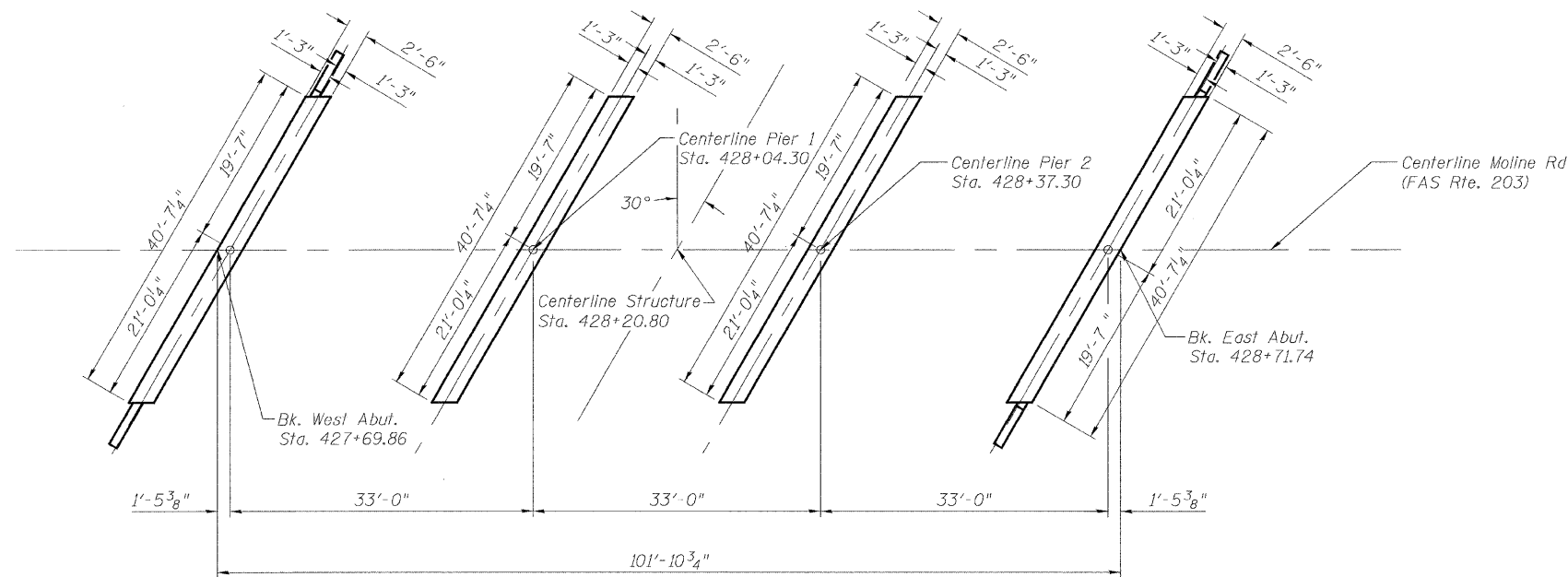
SHEET #2 OF
11 SHEETS

ROUTE NO.	DISTRICT	COUNTY	SHEET	TOTAL SHEETS
FAS 203	11BR-1	WHITESIDE & ROCK ISLAND	13	43
FED. ROAD DIST. NO. 3		ILLINOIS FED. AID PROJECT-		

CONTRACT #64939

GENERAL NOTES

- The Contractor shall drive 2 test piles, as specified, in permanent locations. 1 HP 8x36 in the West Abutment and 1 HP 12x53 in pier 1, as directed by the Engineer before ordering the remaining piles. The test piles shall be driven to 110 percent of the Nominal Required Bearing indicated in the pile data information.
- Layout of the slope protection system may be varied in the field to suit ground conditions as directed by the Engineer.
- Reinforcement bars shall conform to the requirements of ASTM A706 Grade 60 (Illinois Modified) See Special Provisions.
- The Contractor shall make allowance for the deflection of forms, shrinkage and settlement of falsework, in addition to allowance for dead load deflection.
- All construction joints shall be bonded.
- The aggregate material for Pipe Underdrain for Structures shall be CA 7.
- The steel H-piles shall be according to AASHTO M270 Grade 50.
- Slip forming the upper portion of the parapet is not allowed.



PLAN

TOTAL BILL OF MATERIAL

Item	Unit	Super	Sub.		Total
			Piers	Abuts.	
Porous Granular Embankment, (Special)	Cu. Yd.	--	--	66	66
Stone Riprap, Class A4	Sq. Yd.	--	--	--	438
Filter Fabric	Sq. Yd.	--	--	--	438
Removal of Existing Structures	Each	--	--	--	1
Structure Excavation	Cu. Yd.	--	19	91	110
Floor Drains	Each	12	--	--	12
Concrete Structures	Cu. Yd.	--	88.6	29.4	118.0
Concrete Superstructure	Cu. Yd.	228.8	--	--	228.8
Bridge Deck Grooving	Sq. Yd.	336	--	--	336
Protective Coat	Sq. Yd.	451	--	--	451
Reinforcement Bars, Epoxy Coated	Pound	37,480	6,960	3,220	47,660
Furnishing Steel Piles HP8x36	Foot	--	--	551	551
Furnishing Steel Piles HP12x53	Foot	--	537	--	537
Driving Piles	Foot	--	537	551	1088
Test Pile Steel HP8x36	Each	--	--	1	1
Test Pile Steel HP12x53	Each	--	1	--	1
Pile Shoes	Each	--	12	12	24
Name Plates	Each	1	--	--	1
Geocomposite Wall Drain	Sq. Yd.	--	--	36	36
Pipe Underdrains For Structures 4"	Foot	--	--	101	101
Underwater Structure Excavation Protection -Location 1	Each	--	1	--	1
Underwater Structure Excavation Protection -Location 2	Each	--	1	--	1
Bar Splicers	Each	66	--	--	66

DESIGNED	KCM
CHECKED	TMM
DRAWN	JLM
CHECKED	TMM

FOUNDATION PLAN
FAS ROUTE 203 (MOLINE ROAD)
OVER MEREDOSIA DITCH
SECTION 11BR-1
STA. 428+20.80
WHITESIDE & ROCK ISLAND COUNTIES
SN 098-0111