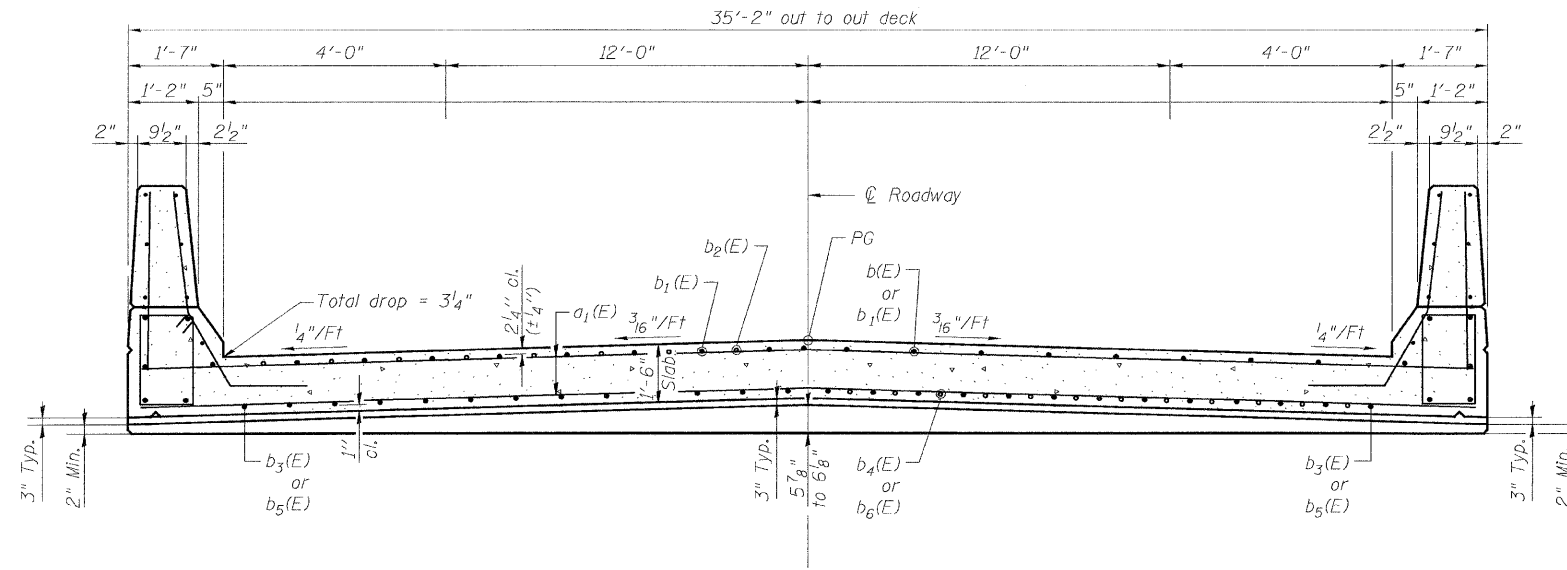


STATE OF ILLINOIS
DEPARTMENT OF TRANSPORTATION

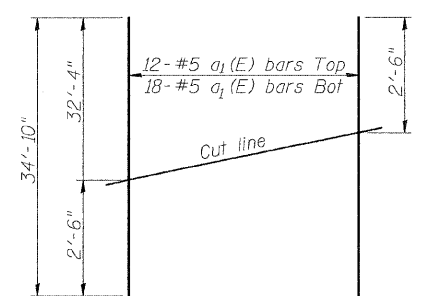
SHEET #5 OF
11 SHEETS

| ROUTE NO. | SECTION | COUNTY | SHEET | TOTAL |
|-----------------------|---------|----------------------------|-------|-------|
| FAS 203 | 11BR-1 | WHITESIDE & ROCK ISLAND | 16 | 43 |
| FED. ROAD DIST. NO. 3 | | ILLINOIS FED. AID PROJECT- | | |

CONTRACT #64939

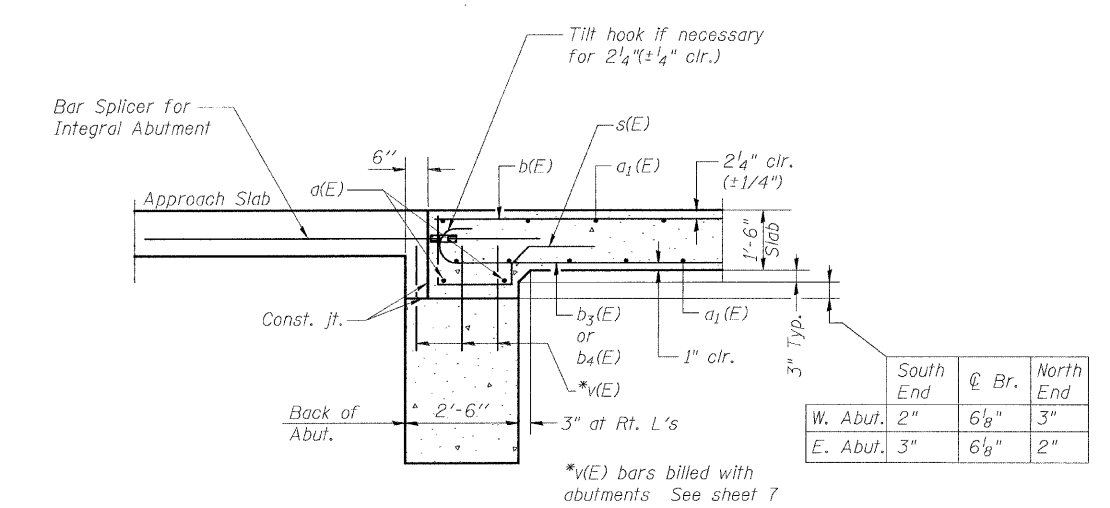


CROSS SECTION



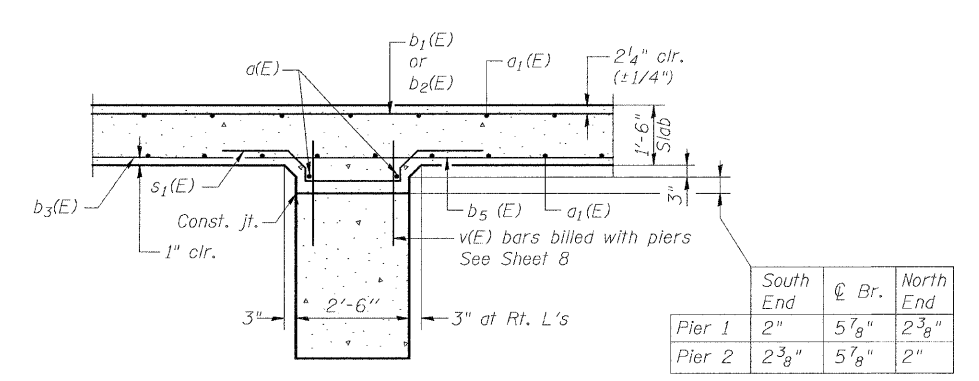
FIELD CUTTING DIAGRAM

Order a₁(E) bars full length.
Cut to fit and use the remainder of bars
in opposite face.



SECTION A-A

SECTION THRU ABUTMENT



SECTION B-B

SECTION THRU PIER

NOTES

- See sheets No. 4 and 6 of 11 for Plan, parapet reinforcing, and Bill of Materials.
- Reinforcing bars designated (E) shall be epoxy coated.
- Bars indicated thus 6x3-#5 etc. indicates 6 lines of bars with 3 lengths per line.
- See sheet No.1 of 11 for floor drain spacing.
- Space reinforcement bars to clear floor drain.

| | |
|----------|-----|
| DESIGNED | KCM |
| CHECKED | TMM |
| DRAWN | JLM |
| CHECKED | TMM |

SUPERSTRUCTURE DETAILS
FAS ROUTE 203 (MOLINE ROAD)
OVER MEREDOSIA DITCH
SECTION 11BR-1
STA. 428+20.80
WHITESIDE & ROCK ISLAND COUNTIES
SN 098-0111