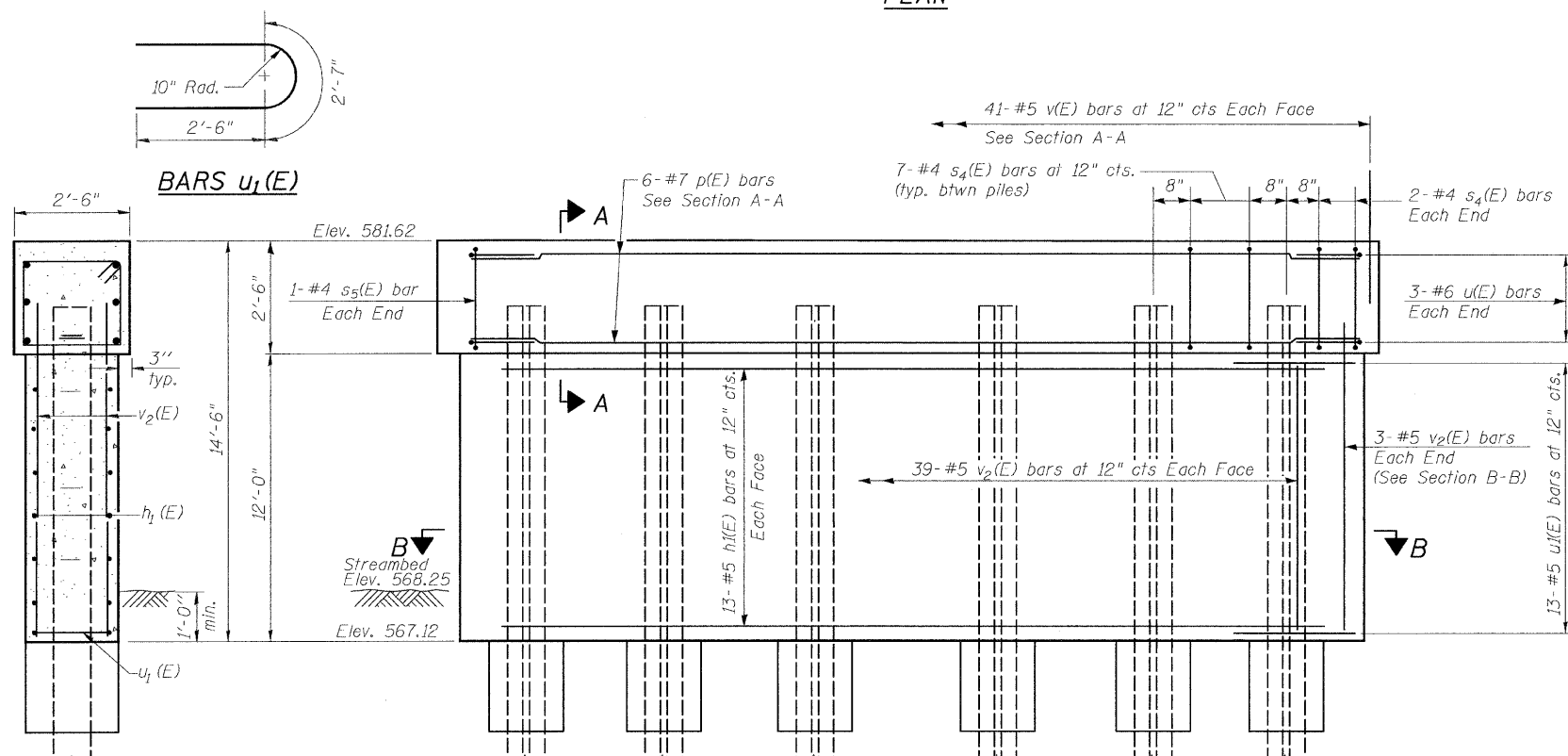
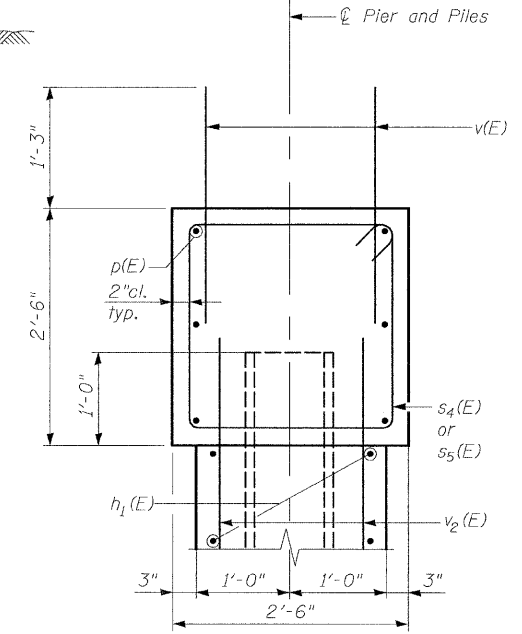
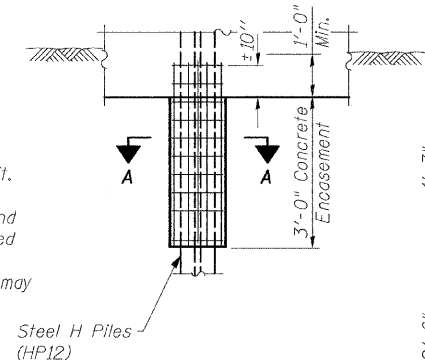
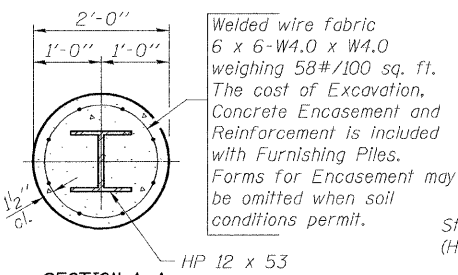
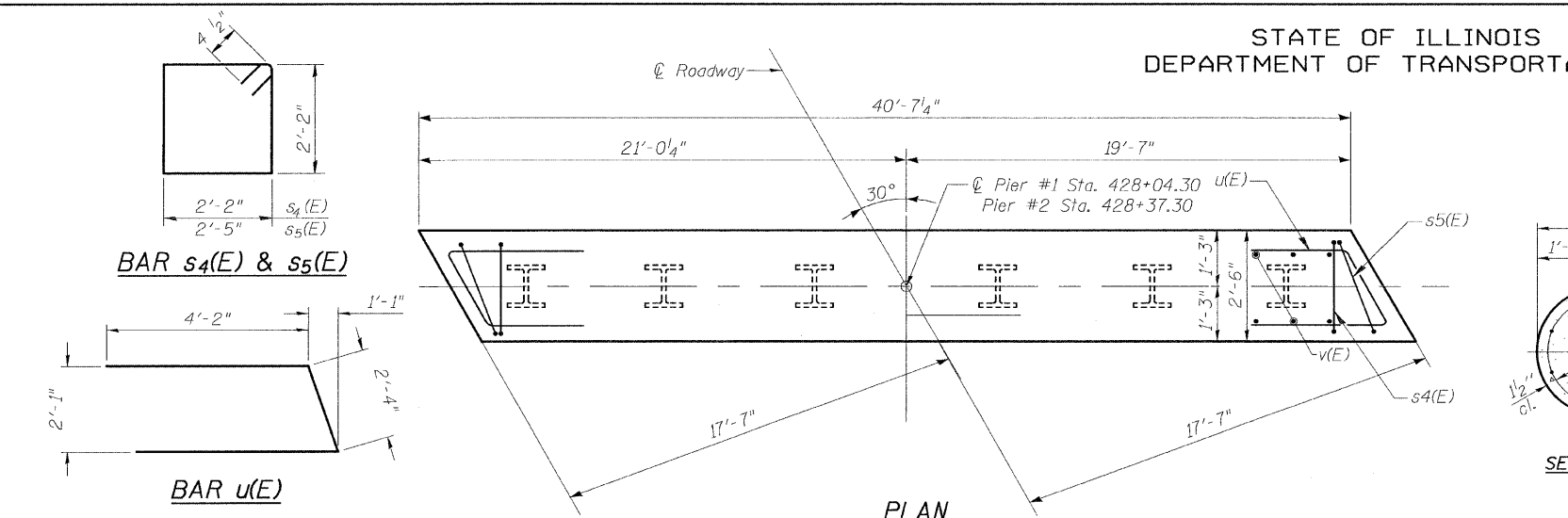


STATE OF ILLINOIS  
DEPARTMENT OF TRANSPORTATION

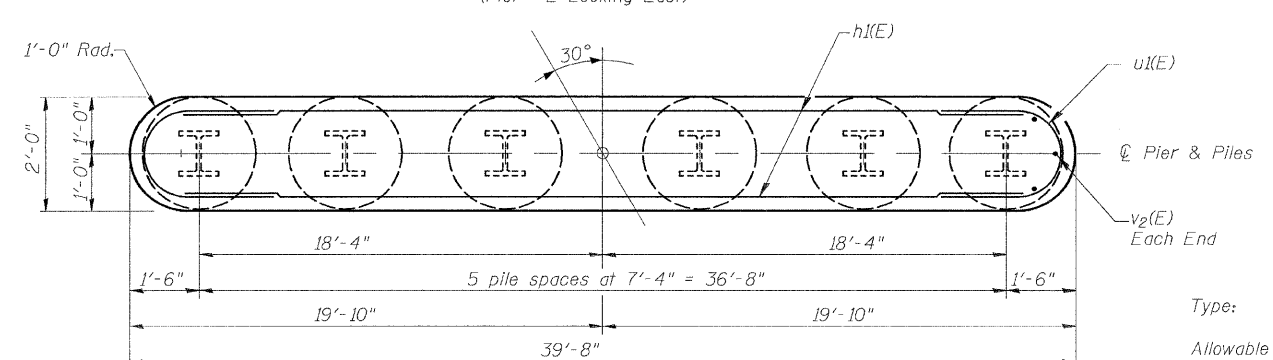
SHEET #8 OF 11 SHEETS		ROUTE NO.	SECTION	COUNTY	DATE	HEET
		FAS 203	11BR-1	WHITESIDE & ROCK ISLAND	19	43
		FED. ROAD DIST. NO. 3	ILLINOIS	FED. AID PROJECT-		

CONTRACT 64939



END VIEW

ELEVATION  
(Pier #1 Looking East)  
(Pier #2 Looking East)



SECTION B-B

PIER 1  
PILE DATA

Type: HP 12 x 53 w/ Pile Shoes  
Allowable Resistance Available: 136 Kips  
Nominal Required Bearing: 418 Kips  
Est. Length: 69 ft.  
No. Required: 5 + 1 Test Pile

PIER 2  
PILE DATA

Type: HP 12 x 53 w/ Pile Shoes  
Allowable Resistance Available: 136 Kips  
Nominal Required Bearing: 418 Kips  
Est. Length: 32 ft.  
No. Required: 6

BILL OF MATERIAL FOR PIER 1

Bar	No.	Size	Length	Shape
h <sub>1</sub> (E)	26	#5	37'-8"	—
p (E)	6	#7	40'-3"	—
s <sub>4</sub> (E)	39	#4	9'-5"	□
s <sub>5</sub> (E)	2	#4	9'-11"	□
u (E)	6	#6	10'-8"	U
u <sub>1</sub> (E)	26	#5	7'-7"	U
v (E)	82	#5	2'-9"	—
v <sub>2</sub> (E)	84	#5	13'-4"	—
Structure Excavation		Cu. Yd.	9.5	
Concrete Structures		Cu. Yd.	44.3	
Reinforcement Bars, Epoxy Coated		Pound	3480	
Furnishing Steel Piles HP 12x53		Foot	345	
Driving Piles		Foot	345	
Test Pile Steel HP 12x53		Each	1	
Pile Shoes		Each	6	
Underwater Structure Excavation Protection		Each	1	

Reinforcement Bars designated (E) shall be epoxy coated

BILL OF MATERIAL FOR PIER 2

Bar	No.	Size	Length	Shape
h <sub>1</sub> (E)	26	#5	37'-8"	—
p (E)	6	#7	40'-3"	—
s <sub>4</sub> (E)	39	#4	9'-5"	□
s <sub>5</sub> (E)	2	#4	9'-11"	□
u (E)	6	#6	10'-8"	U
u <sub>1</sub> (E)	26	#5	7'-7"	U
v (E)	82	#5	2'-9"	—
v <sub>2</sub> (E)	84	#5	13'-4"	—
Structure Excavation		Cu. Yd.	9.5	
Concrete Structures		Cu. Yd.	44.3	
Reinforcement Bars, Epoxy Coated		Pound	3480	
Furnishing Steel Piles HP 12x53		Foot	192	
Driving Piles		Foot	192	
Pile Shoes		Each	6	
Underwater Structure Excavation Protection		Each	1	

Reinforcement Bars designated (E) shall be epoxy coated

PILE BENT PIER  
FAS ROUTE 203 (MOLINE ROAD)  
OVER MEREDOSIA DITCH  
SECTION 11BR-1  
STA. 428+20.80  
WHITESIDE & ROCK ISLAND COUNTIES  
SN 098-0111

DESIGNED	KCM
CHECKED	TMM
DRAWN	JLM
CHECKED	TMM