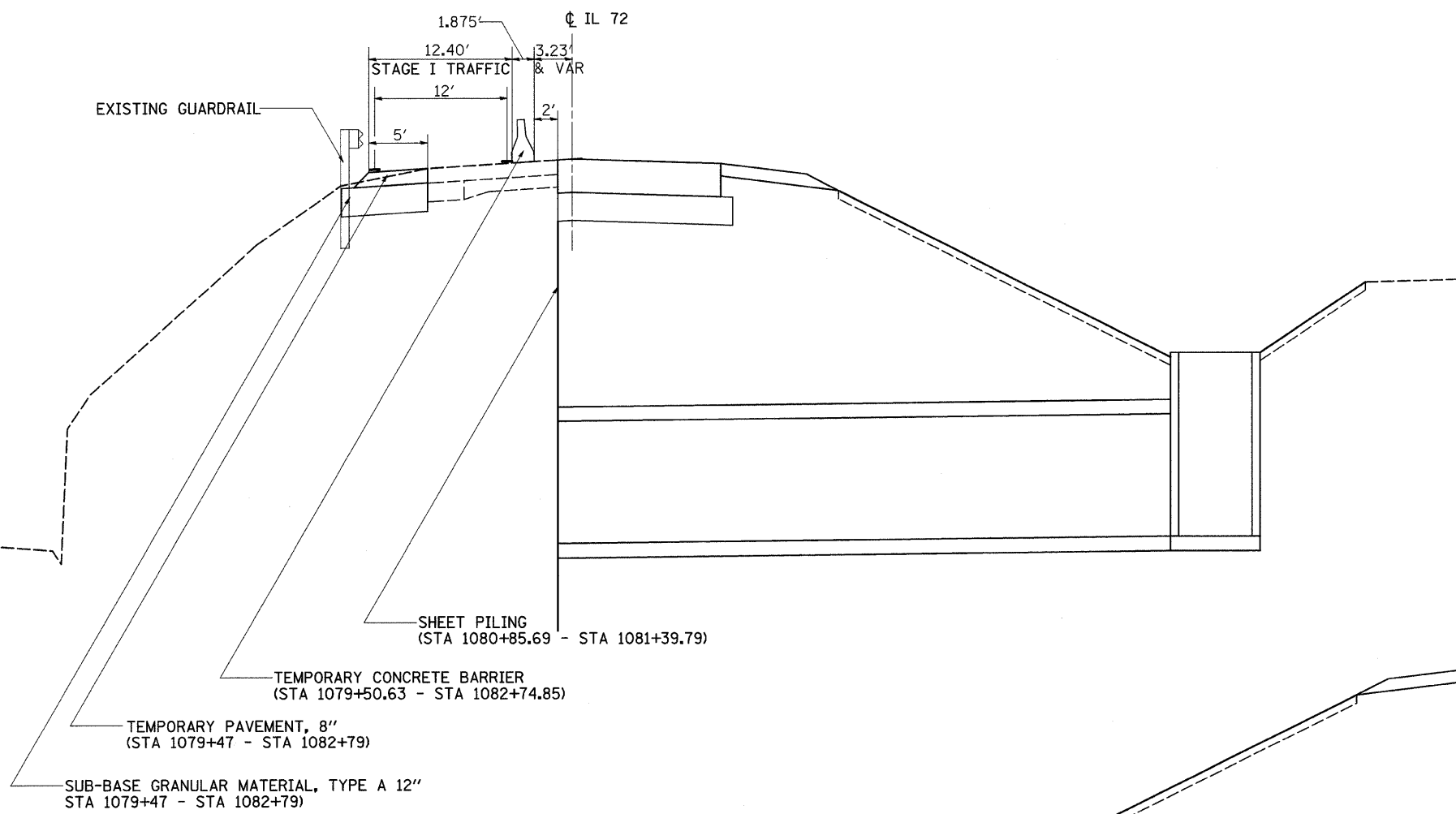


F.A.P. RTE.	SECTION	COUNTY	TOTAL SHEETS	SHEET NO.
549	117 T	OGLE	86	17
STA.		TO STA.		
FED. ROAD DIST. NO.		ILLINOIS FED. AID PROJECT		

# STAGING TYPICAL SECTIONS

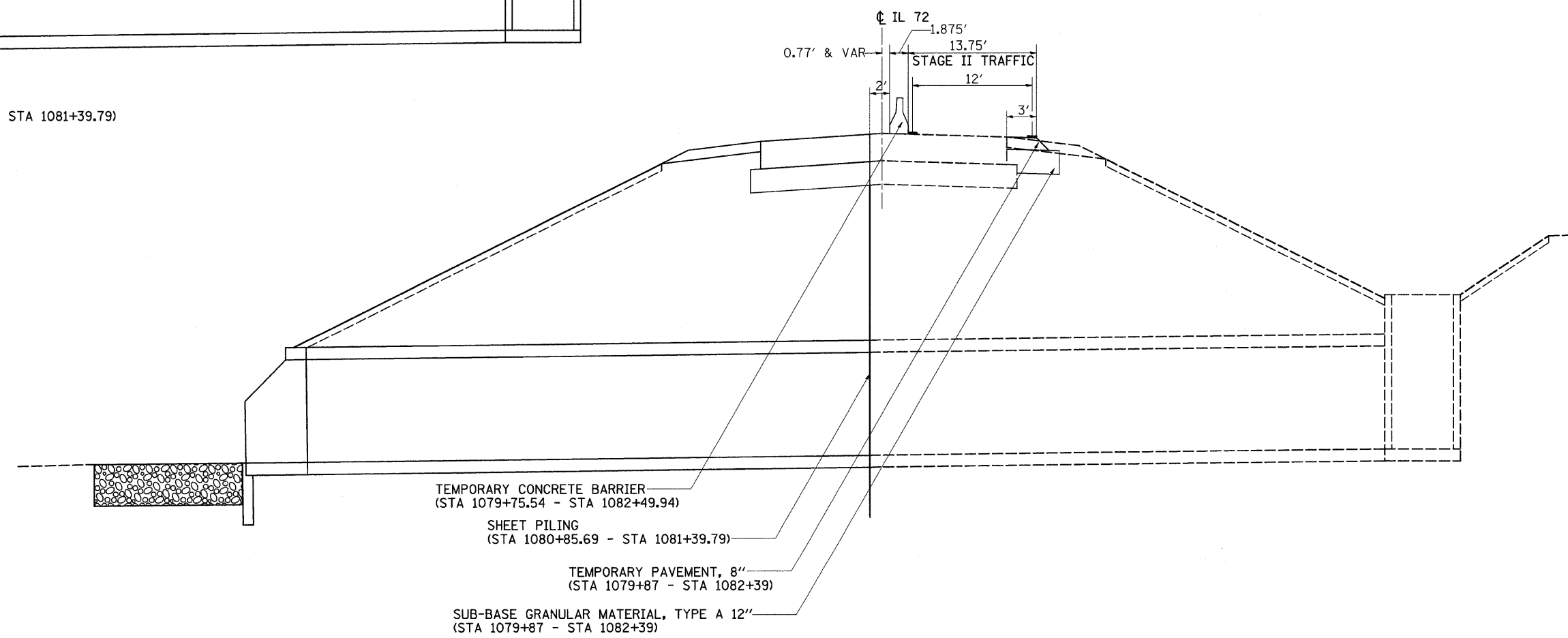
## STAGE I

STRUCTURE NO. 4



## STAGE II

STRUCTURE NO. 4



PLOT DATE = Fri, Dec 28 13:55:38 2007  
 FILE NAME = c:\projects\117\117\117\117.dgn  
 PLOT SCALE = 50.0000 / IN.  
 USER NAME = gpfj