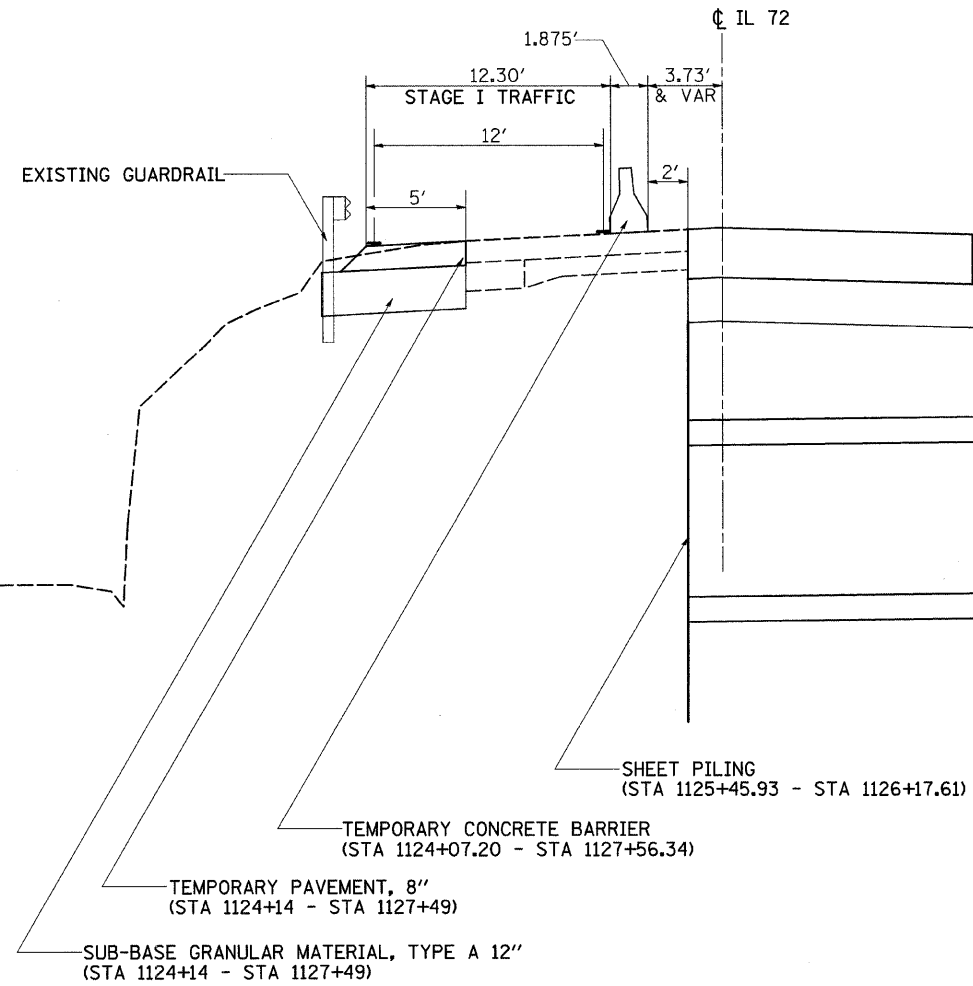


F.A.P. RTE.	SECTION	COUNTY	TOTAL SHEETS	SHEET NO.
549	117 T	OGLE	86	18
STA.		TO STA.		
FED. ROAD DIST. NO.		ILLINOIS FED. AID PROJECT		

# STAGING TYPICAL SECTIONS

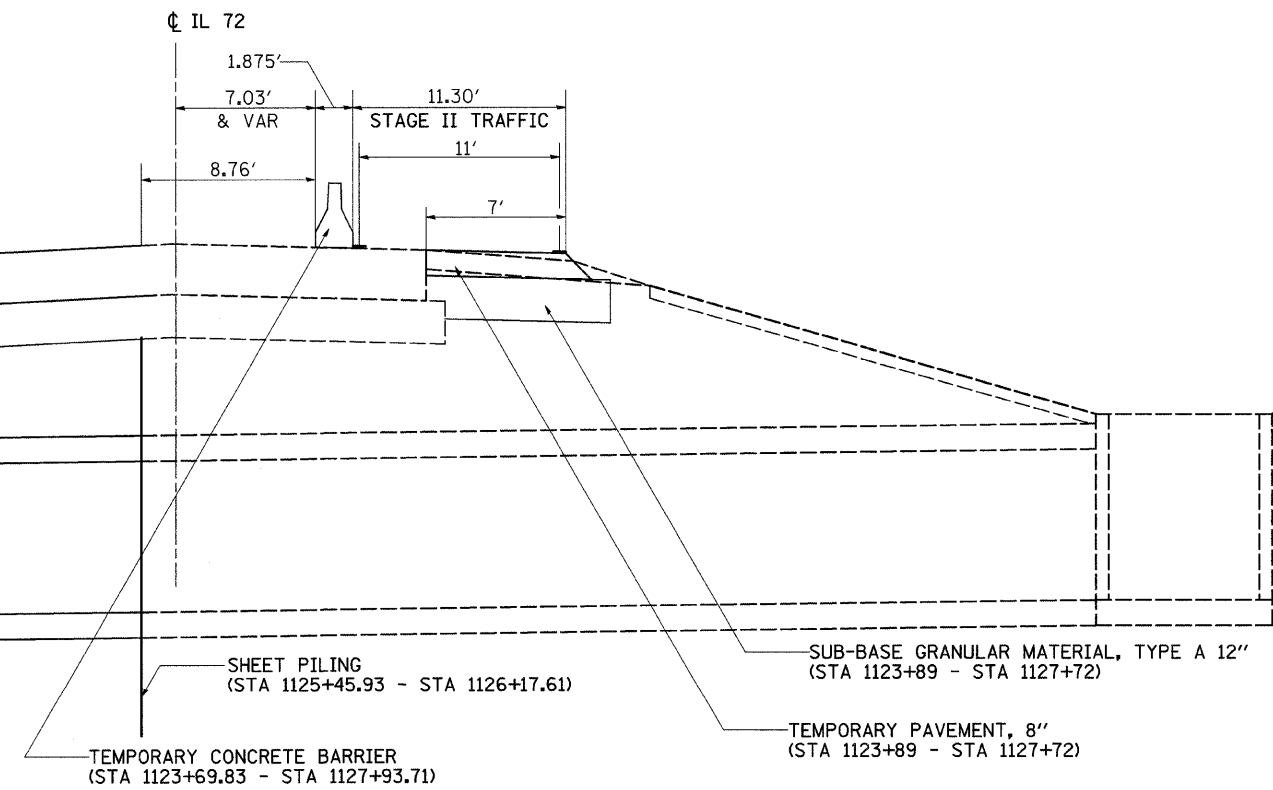
## STAGE I

STRUCTURE NO. 5



## STAGE II

STRUCTURE NO. 5



PLOT DATE = Fri, Dec 28 13:53:08 2007  
 FILE NAME = c:\pcc\mets\p210705\cl0705typ.dgn  
 PLOT SCALE = 50.0000' / IN.  
 USER NAME = gofj.j