

STATE OF ILLINOIS
DEPARTMENT OF TRANSPORTATION

F.A.P. RTE.	SECTION	COUNTY	TOTAL SHEETS	SHEET NO.
549	117T	OGLE	86	49
STA.	TO STA.			
FED. ROAD DIST. NO.	ILLINOIS FED. AID PROJECT			
CONTRACT # 64B44				

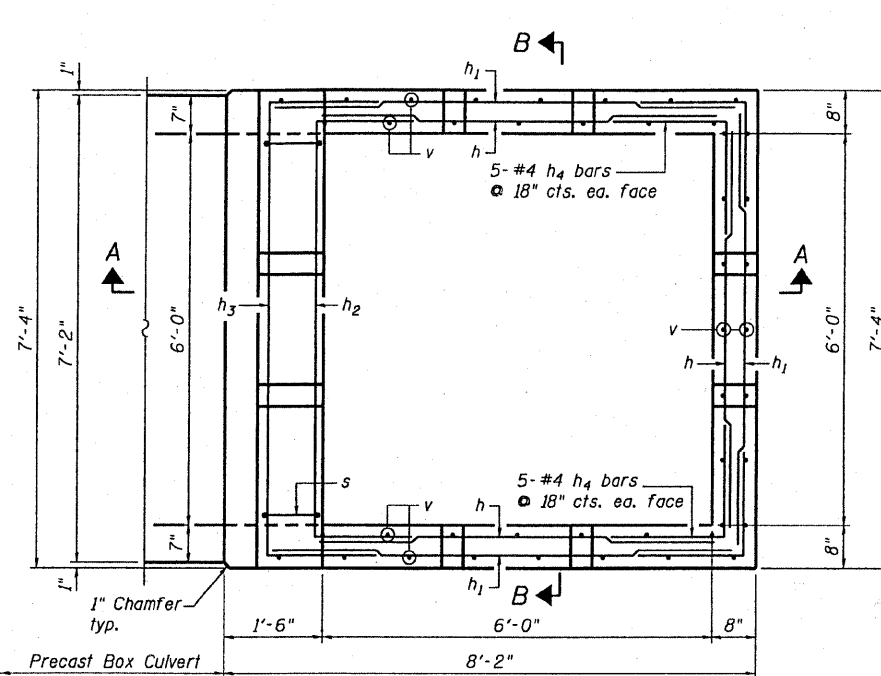
GENERAL NOTES

Reinforcement bars shall conform to the requirements of ASTM A706 Gr. 60 (IL Modified), See Special Provisions. The contractor shall be responsible for diverting the water flow from the construction area using a method meeting the approval of the Engineer. Cost included with "Drop Box No. 1". Drain holes shall be constructed in accordance with section 503.11. For details of galvanized steel pipe grate see sheet 50.

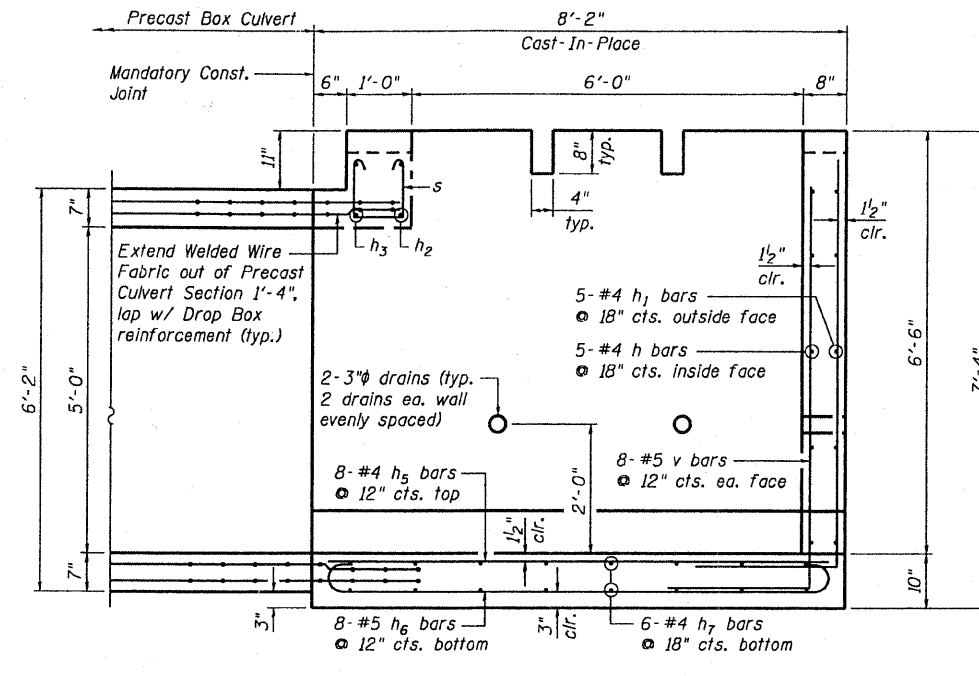
BILL OF MATERIAL

(For information only)

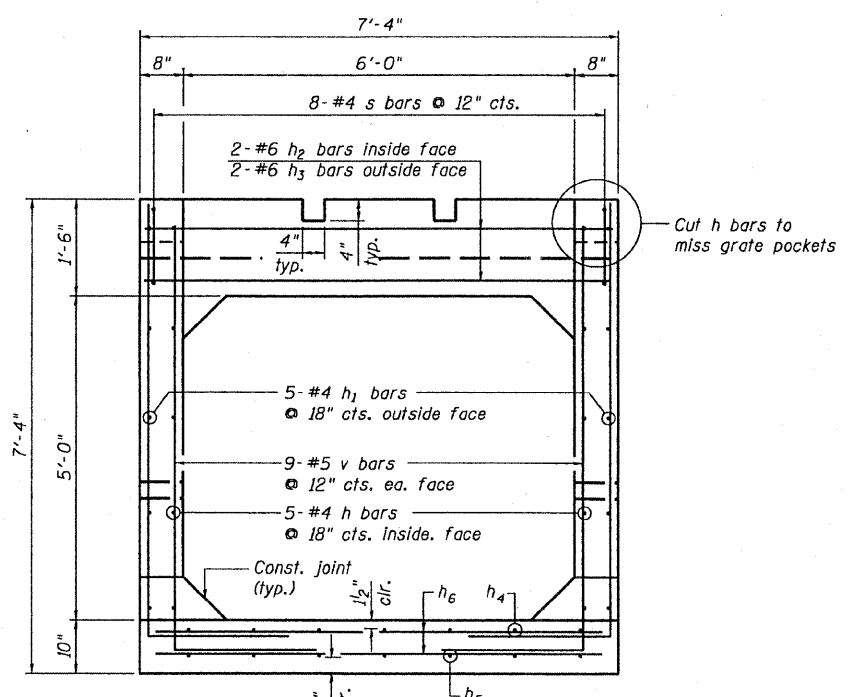
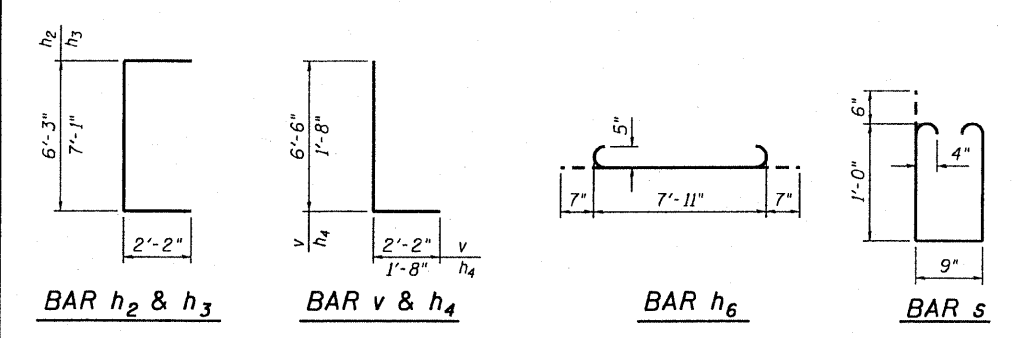
Bar	No.	Size	Length	Shape	
h	15	#4	6'-0"	—	
h ₁	15	#4	7'-1"	—	
h ₂	2	#6	10'-7"	—	
h ₃	2	#6	11'-5"	—	
h ₄	20	#4	3'-4"	—	
h ₅	8	#4	7'-11"	—	
h ₆	8	#5	9'-1"	—	
h ₇	12	#4	7'-1"	—	
s	9	#4	3'-9"	—	
v	54	#5	8'-8"	—	
Concrete Structures				Cu. Yd.	5.8
Reinforcement Bars, Epoxy Coated				Pound	1,000



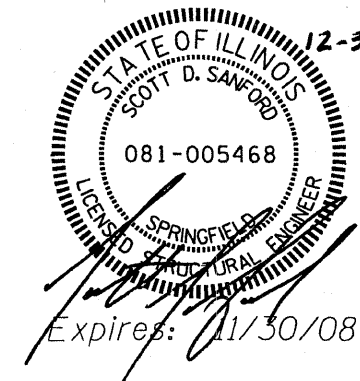
PLAN



SECTION A-A



SECTION B-B



DROP BOX NO. 4
REINFORCEMENT DETAILS
FAP ROUTE 549 (IL 72)
SECTION 117 T
OGLE COUNTY

Operator: dheberling
Date: 01/02/2008
Filename: L:\obs\DOT_D-26279_10\CADD_Struct\Drop No 4 rev.dgn

DESIGNED	S.D.S.
CHECKED	S.D.S.
DRAWN	D.L.H.
CHECKED	S.D.S./D.L.H.

WHKS & CO.
ENGINEERS PLANNERS LAND SURVEYORS
MASON CITY, IOWA DUBUQUE, IOWA AMES, IOWA
E. DUBUQUE, ILLINOIS SPRINGFIELD, ILLINOIS ROCHESTER, MINNESOTA