

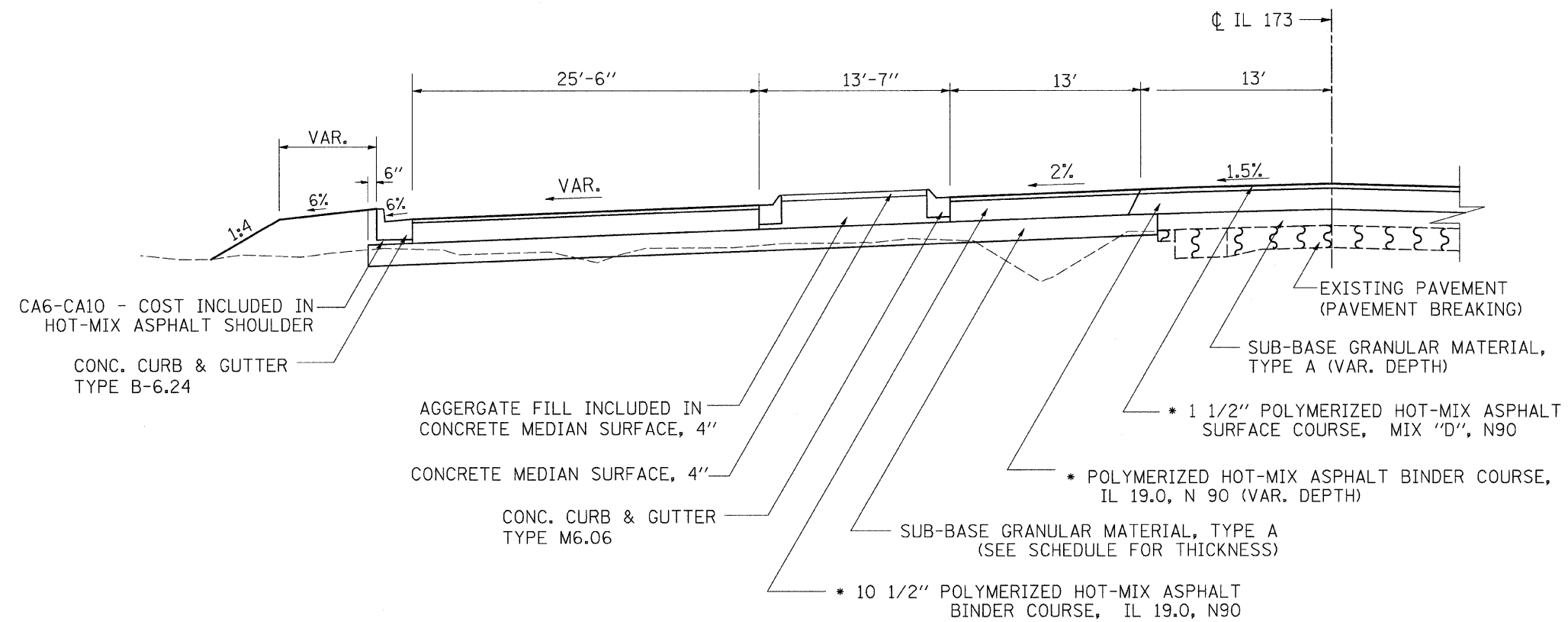
TYPICAL SECTIONS

CONTRACT NO. 64D51				
F.A.P. RTE.	SECTION	COUNTY	TOTAL SHEETS	SHEET NO.
*303	129 M & TS	WINNEBAGO	110	11
STA. _____		TO STA. _____		
FED. ROAD DIST. NO. _____		ILLINOIS FED. AID PROJECT		

•(IL 173)

DETAIL OF ISLAND

STA 247+80



NOTES:

* RATE OF APPLICATION = 112 LB/SQ YD/IN (MIX "C" & MIX "D")



PLOT DATE = Mon, Dec 03 11:36:16 2007
 FILE NAME = c:\p\projects\207177\1087177.dwg
 PLOT SCALE = 1/8" = 1'-0"
 REFERENCE = NONE