

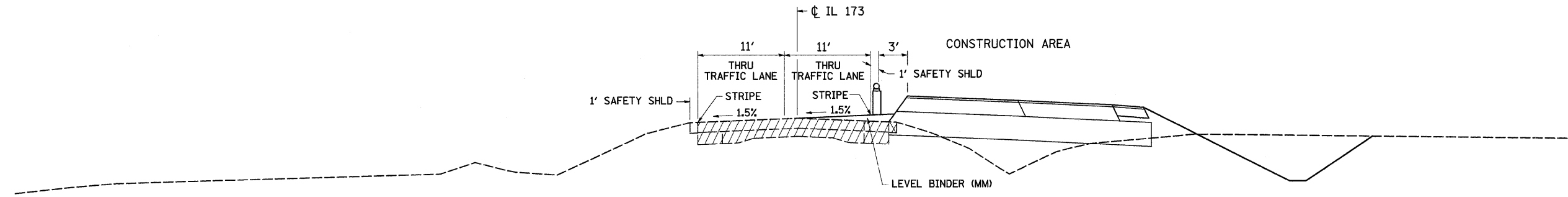
F.A.P. RTE.	SECTION	COUNTY	TOTAL SHEETS	SHEET NO.
•303	129M&TS	WINNEBAGO	110	37

STA.	TO STA.

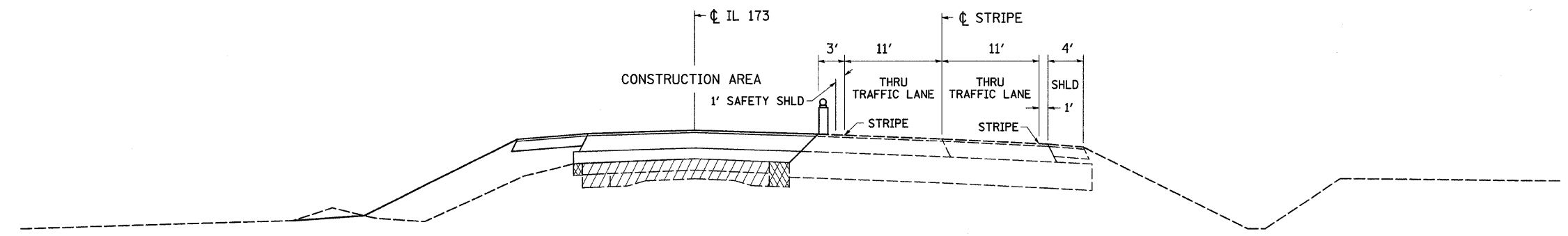
FED. ROAD DIST. NO. ILLINOIS FED. AID PROJECT

•(IL 173)

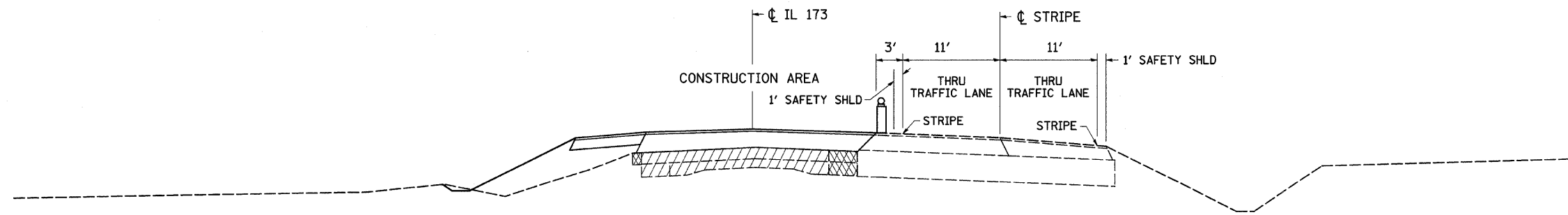
STAGE 2 TYPICAL SECTION



STAGE 3 TYPICAL SECTION (WEST OF INTERSECTION)



STAGE 3 TYPICAL SECTION (EAST OF INTERSECTION)



REVISIONS	
NAME	DATE

ILLINOIS DEPARTMENT OF TRANSPORTATION
 FAP ROUTE 303 (IL 173)
 SECTION 129M&TS
 WINNEBAGO COUNTY

SCALE: VERT. _____
 HORIZ. _____

DATE _____ DRAWN BY _____
 CHECKED BY _____

PLOT DATE = Mon Dec 03 13:24:24 2007
 FILE NAME = c:\p\proj\secta\2877\7\89777\sgl.dgn
 PLOT SCALE = 50,000 / 1" IN.
 USER NAME = polina