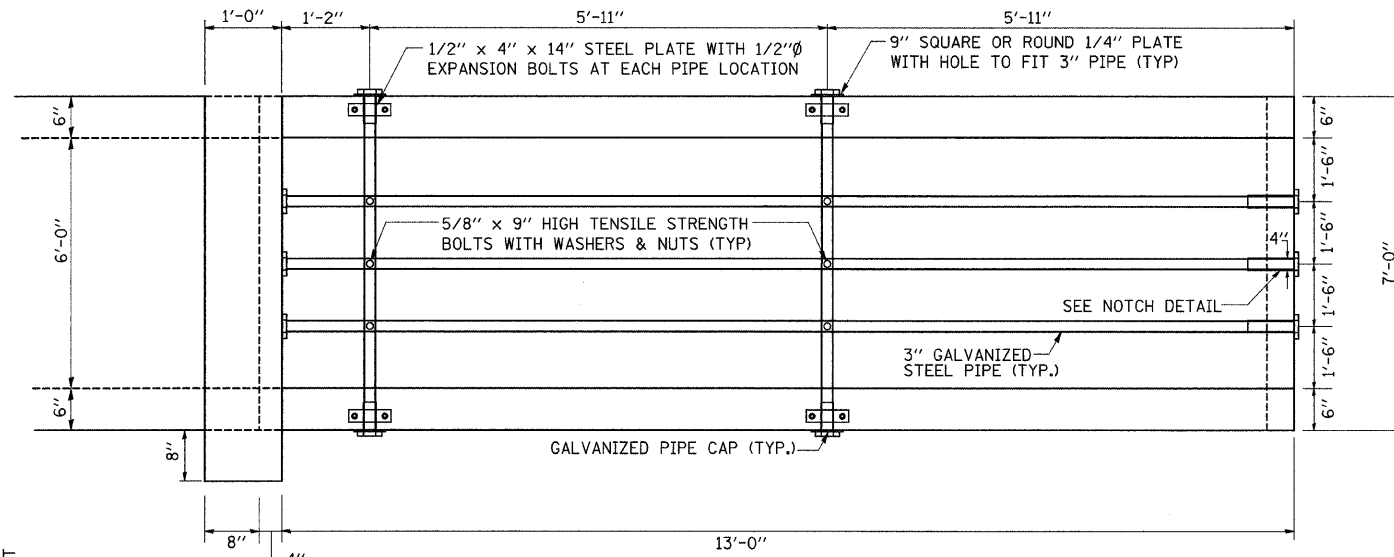


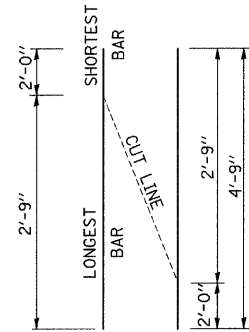
GRADED CULVERT EXTENSION NO. 2

STA. 104+93 LT & RT

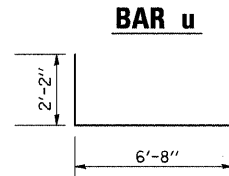
CONTRACT NO. 64D51			
F.A.P. RTE.	SECTION	COUNTY	TOTAL SHEET NO.
*303	129M&TS	WINNEBAGO	110 60
STA.	TO STA.		
FED. ROAD DIST. NO.	ILLINOIS	FED. AID PROJECT	
*(IL 173)			



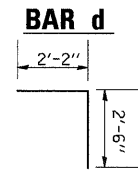
PLAN VIEW



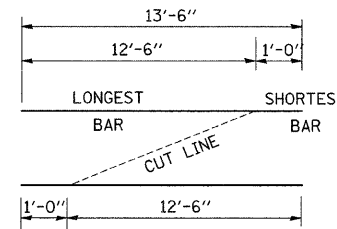
BAR v CUT DIAGRAM



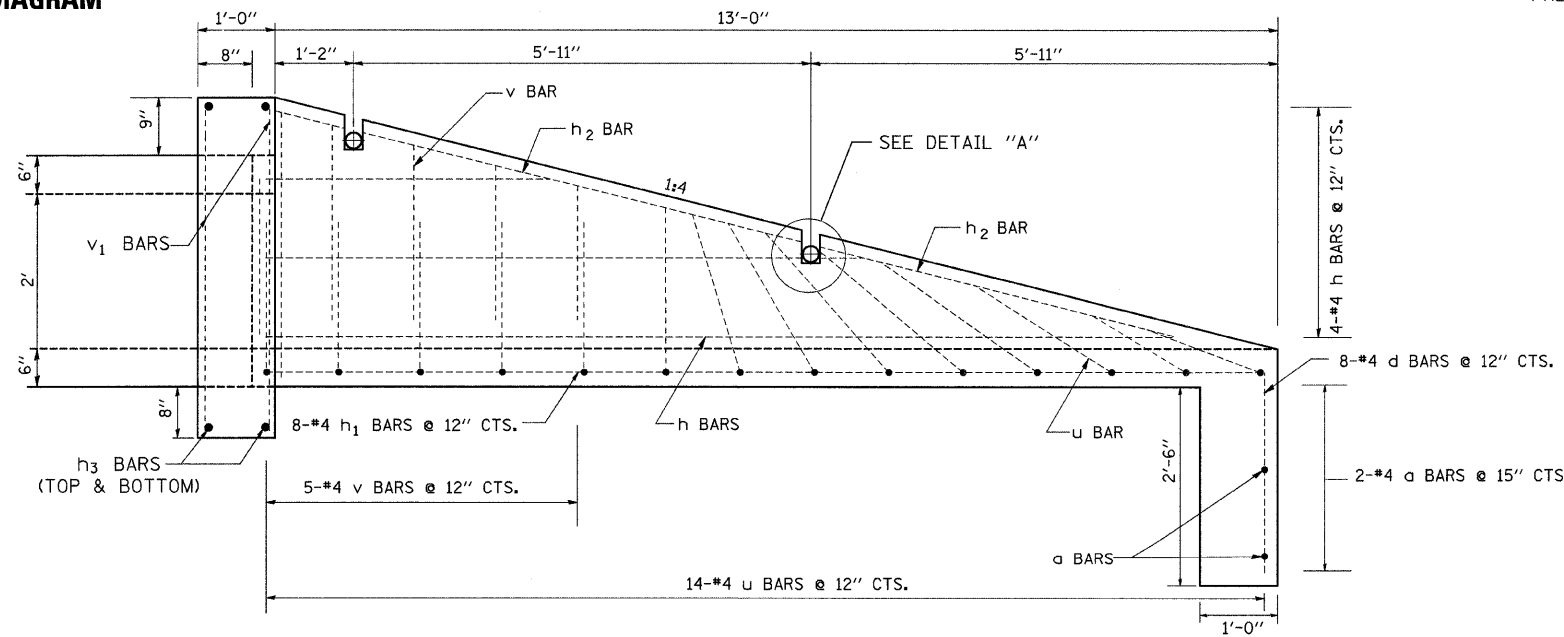
BAR u



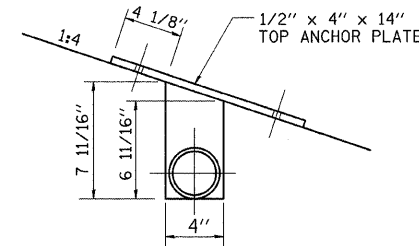
BAR d



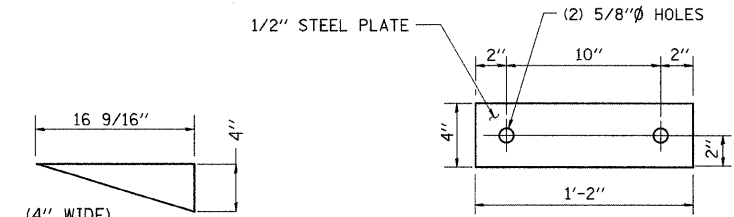
BAR h CUT DIAGRAM



PROFILE VIEW



DETAIL "A"



NOTCH DETAIL

TOP ANCHOR PLATE

*CONNECTION COLLAR BILL OF MATERIALS

BAR	NO.	SIZE	LENGTH	SHAPE
h3	4	4	16'-3"	—
v1	8	4	4'-1"	—
DESCRIPTION		UNIT	QTY	
CLASS "SI" CONCRETE		CU YD	1.0	
REINFORCEMENT BARS		LB	65.2	

*FOR INFORMATIONAL PURPOSES ONLY.
COST TO BE INCLUDED IN THE BID ITEM
"PRECAST CONCRETE BOX CULVERT 6'x2' "

**GRADED CULVERT EXTENSION, NO. 2 BILL OF MATERIALS

BAR	NO.	SIZE	LENGTH	SHAPE	LBS
a	2	4	6'-8"	—	8.9
d	8	4	4'-8"	—	24.9
h	4	4	13'-6"	—	36.1
h1	8	4	13'-0"	—	69.5
h2	4	4	5'-8"	—	15.1
v	5	4	4'-9"	—	15.9
u	14	4	11'-0"	—	102.7
TOTAL					273.1
DESCRIPTION				UNIT	QTY
CLASS "SI" CONCRETE				CU YD	3.1
REINFORCEMENT BARS				LB	273.1
3" I.D. GALVANIZED STEEL PIPE				2 @	7'-4"
				3 @	13'-2"
3" GALV. PIPE CAPS				EACH	10
1/4" GALV. STEEL PLATE (9" NORMAL)				EACH	4
1/2"x4"x14" GALV. STEEL PLATES				EACH	4
5/8"x9" GALV. STEEL BOLTS				EACH	6
EXPANSION BOLTS 1/2"				EACH	8

** QUANTITIES GIVEN ARE FOR EACH BOX CULVERT END SECTION FOR INFORMATIONAL PURPOSES ONLY. COST TO BE INCLUDED IN THE BID ITEM "GRADED CULVERT EXTENSION, NO. 2.

GENERAL NOTES:

SLOPE FLOW LINE OF THE EXTENSION AT THE SAME RATE AS THE FLOW LINE OF THE PIPE.
BOLTS, NUTS AND WASHERS SHALL BE IN ACCORDANCE WITH ARTICLE 710.11 OF THE STANDARD SPECIFICATION AND SHALL BE GALVANIZED.

THE CONTRACT UNIT PRICE "EACH" FOR GRADED CULVERT EXTENSION NO. 2 SHALL INCLUDE THE EXPANSION BOLTS, GALVANIZED PIPE & CAPS, CLASS SI CONCRETE, REINFORCEMENT BARS, BOLTS, NUTS, WASHERS, INSTALLATION ON THE PROPOSED CULVERT, EARTH EXCAVATION WHERE REQUIRED, AND ANY NECESSARY GRADING TO FIT INLET AS SHOWN IN THE CROSS SECTIONS OR TO SLOPE.

STEEL PIPES SHALL CONFORM TO A.S.T.M. A-53 (TYPE E OR S) GRADE B, SCHEDULE 40 AND SHALL BE GALVANIZED CONFORMING TO A.S.T.M. A-120. CONTRACTOR SHALL FIELD VERIFY PIPE LENGTH.

STEEL PLATES SHALL CONFORM TO AASHTO M-183 AND SHALL BE GALVANIZED CONFORMING TO AASHTO M-111.

SEE PLAN PROFILE SHEET FOR MORE INFORMATION.
SEE CULVERT LOCATION PLANS FOR MORE INFORMATION.

PLOT DATE = Mon Dec 03 14:30:52 2007
FILE NAME = c:\projects\129m&ts\129m&ts.dgn
PLOT SCALE = 5000000 / 1
USER NAME = polzma