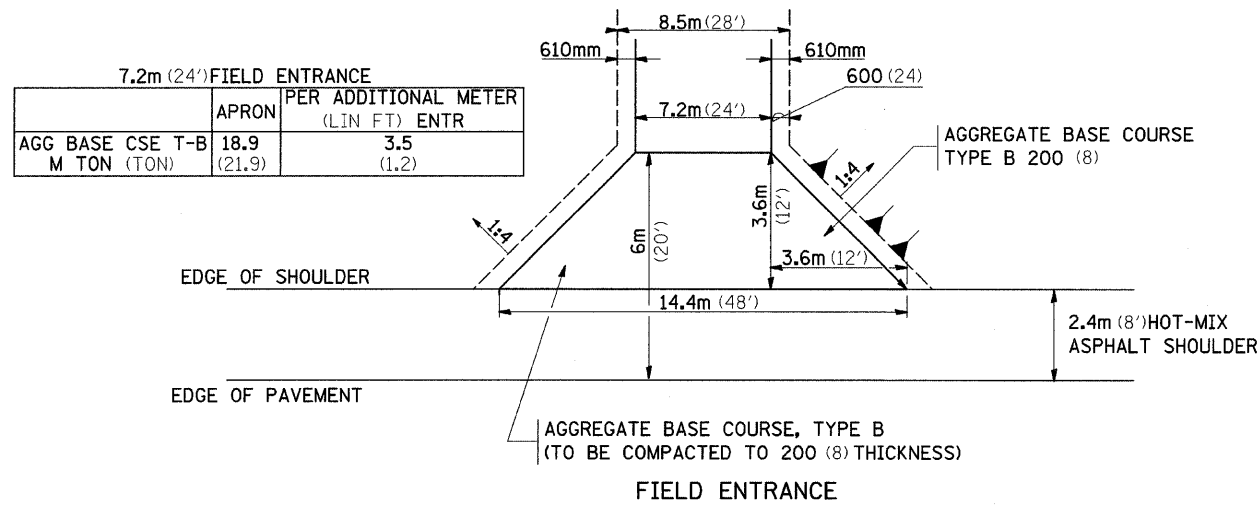
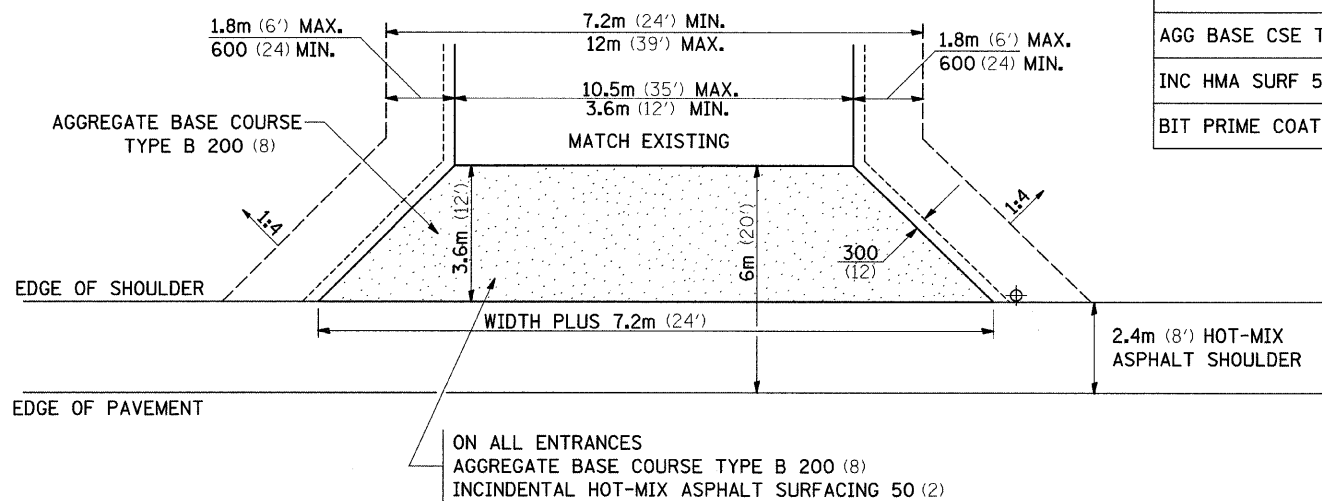


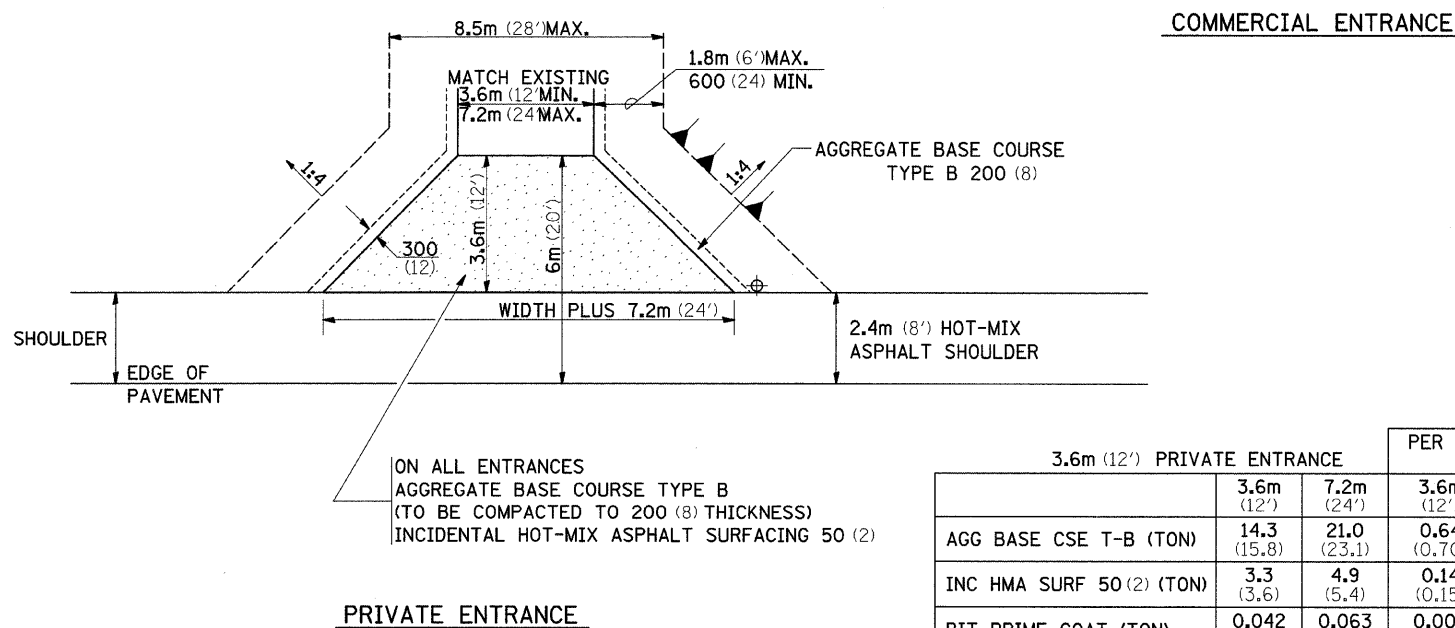
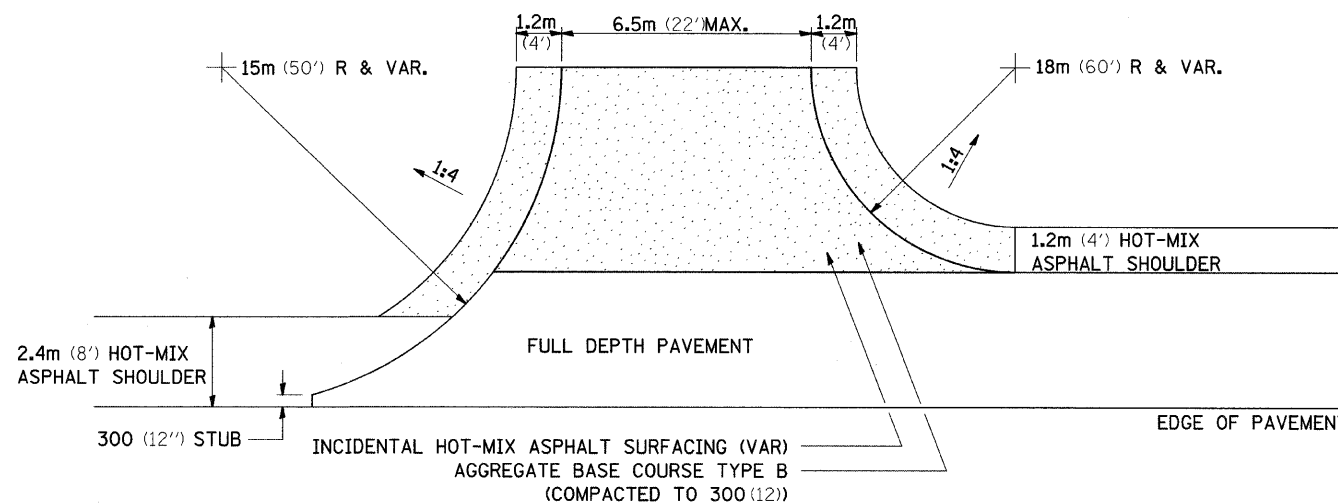
ENTRANCE AND SIDEROADS WITH 2.4m (8') HOT-MIX ASPHALT SHOULDERS



- NOTE**
- ① ALL PE & CE ARE TO BE INCIDENTAL HOT-MIX ASPHALT SURFACED TO RIGHT OF WAY LINE. AREA BEHIND RIGHT OF WAY SHALL MATCH EXISTING SURFACE.
 - ② FE ARE TO BE AGGREGATE TO RIGHT OF WAY OR TOUCH DOWN, WHICH EVER IS GREATEST.
 - ③ QUANTITIES ARE CALCULATED WITH 2.4m HOT-MIX ASPHALT SHOULDER IN PLACE. AGGREGATE QUANTITIES SHOWN ARE FOR NEW CONSTRUCTION.
 - ④ EXCAVATION REQUIRED FOR PLACEMENT OF AGGREGATE BASE COURSE SHALL BE CONSIDERED INCIDENTAL TO THE AGGREGATE BASE COURSE.
 - ⑤ ALL DIMENSIONS ARE IN MILLIMETERS (INCHES) UNLESS OTHERWISE NOTED.



COMMERCIAL ENTRANCE				
	PER METER ENTR (FOOT)			
	3.6m (12')	10.5m (35')	3.6m (12')	10.5m (35')
AGG BASE CSE T-B (TON)	14.3 (15.8)	27.0 (29.8)	0.64 (0.70)	1.70 (1.87)
INC HMA SURF 50 (2) (TON)	3.3 (3.6)	6.35 (7.0)	0.14 (0.15)	0.40 (0.44)
BIT PRIME COAT (TON)	0.042 (0.046)	0.082 (0.090)	0.002 (0.002)	0.005 (0.006)



3.6m (12') PRIVATE ENTRANCE				
	PER METER ENTR (FOOT)			
	3.6m (12')	7.2m (24')	3.6m (12')	7.2m (24')
AGG BASE CSE T-B (TON)	14.3 (15.8)	21.0 (23.1)	0.64 (0.70)	1.20 (1.32)
INC HMA SURF 50 (2) (TON)	3.3 (3.6)	4.9 (5.4)	0.14 (0.15)	0.27 (0.30)
BIT PRIME COAT (TON)	0.042 (0.046)	0.063 (0.069)	0.002 (0.002)	0.004 (0.004)

SIDE ROAD RETURN						
	6m RADIUS (20')		9m RADIUS (30')		12m RADIUS (40')	
	3.6m (12')	7.2m (24')	3.6m (12')	7.2m (24')	3.6m (12')	7.2m (24')
AGG BASE CSE T-B (TON)						
INC HMA SURF AT 25 (1) (TON)						
BIT PRIME COAT (TON)						

NOTE: USE 50 (2) INC. HMA SURF. ON EXISTING RETURNS

PLOT DATE = Mon Dec 03 14:36:21 2007
 FILE NAME = c:\projects\2007\7\dr9787.apl.dgn
 PLOT SCALE = 50.0000 / IN
 REFERENCE = #REF#