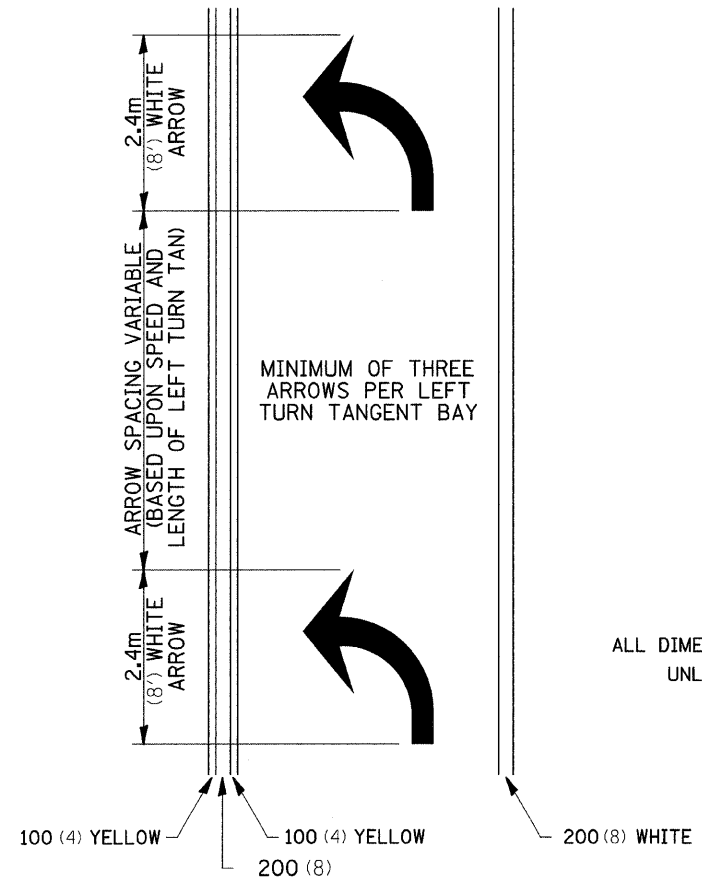


F.A.P. R.T.E.	SECTION	COUNTY	TOTAL SHEETS	SHEET NO.
*303	129M&T5	WINNEBAGO	110	66
STA.	TO STA.			
FED. ROAD DIST. NO.	ILLINOIS	FED. AID PROJECT		

TYPICAL PAVEMENT MARKINGS

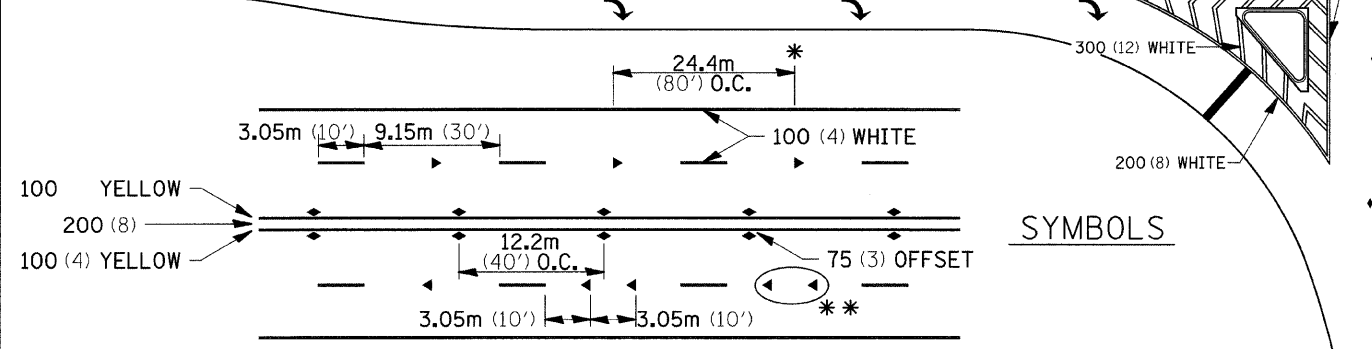
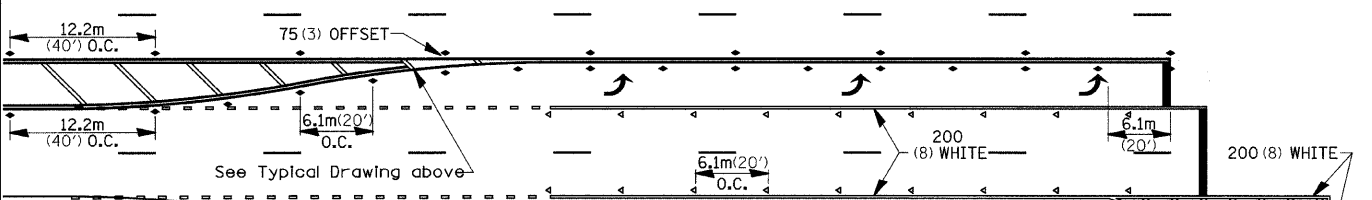
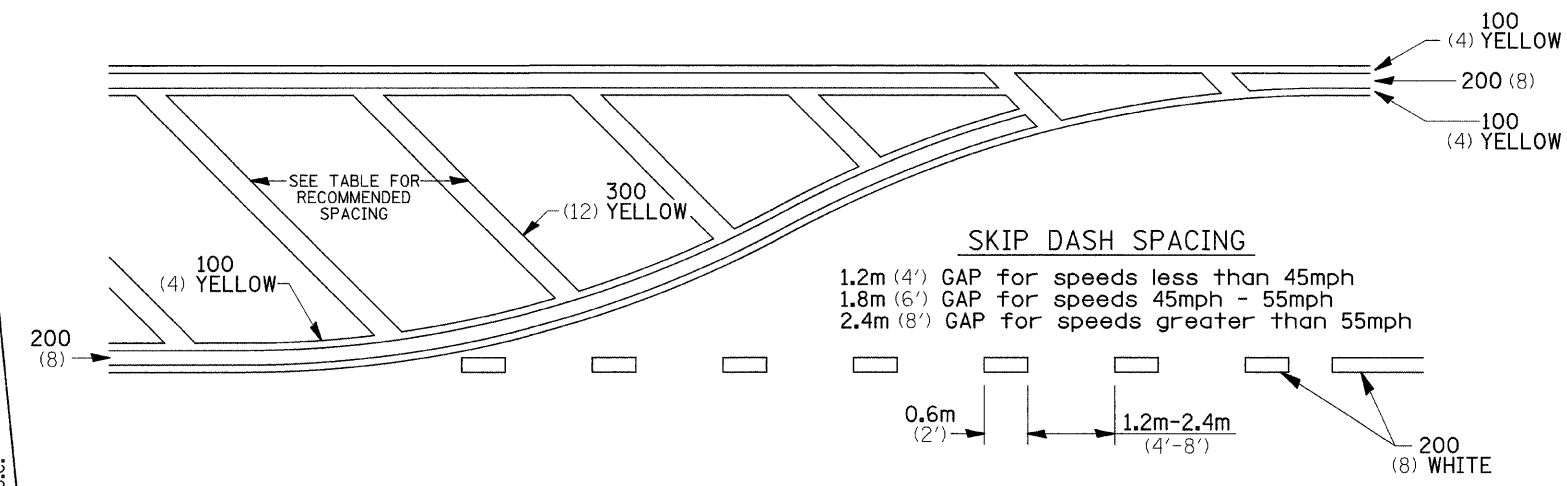
ARROW LAYOUT



ALL DIMENSIONS ARE IN MILLIMETERS (INCHES) UNLESS OTHERWISE NOTED.

- ◀ ONE-WAY AMBER MARKER
- ◁ ONE-WAY CRYSTAL MARKER
- ◆ TWO-WAY AMBER MARKER

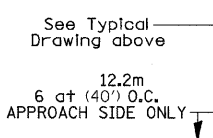
TYPICAL PAVEMENT MARKING FOR FLUSH MEDIAN



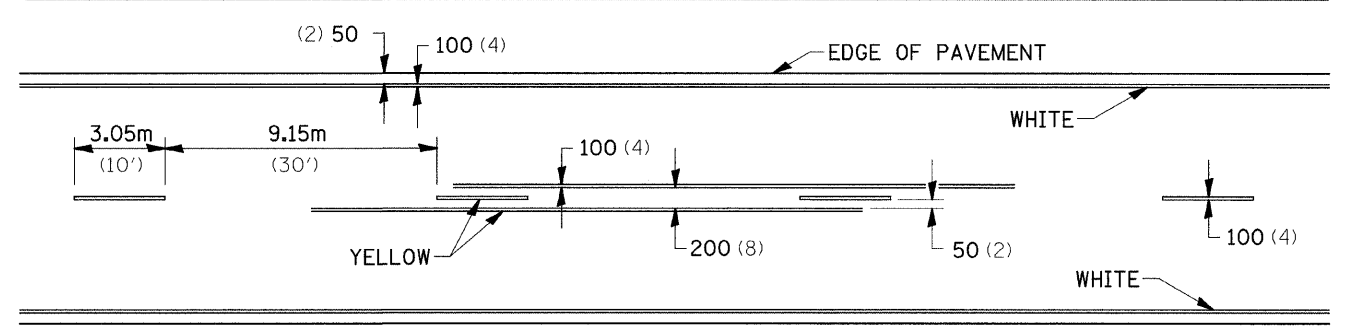
- * REDUCE TO 12.2m (40') O.C. ON CURVES WHERE ADVISORY SPEEDS ARE 15Km/H (10MPH) LOWER THAN POSTED SPEEDS.
- ** USE DOUBLE MARKERS WHEN ADT ≥ 25,000

MULTI-LANE / UNDIVIDED

SYMBOLS



TYPICAL PAVEMENT MARKING FOR TWO LANE SECTION - NO PASSING ZONES



PLOT DATE = Mon Dec 03 14:36:22 2007
 FILE NAME = c:\p\c\mets\p287107\087107.dgn
 PLOT SCALE = 60.0000 / IN
 REFERENCE = 087107