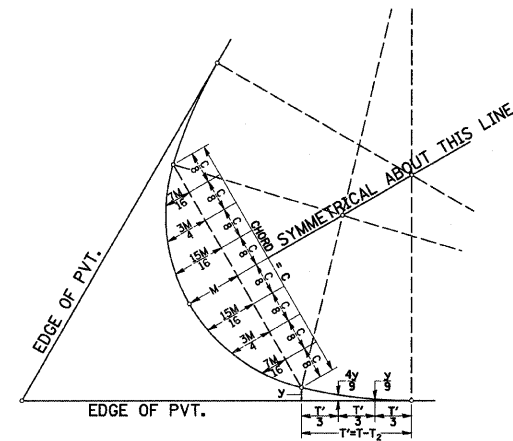


F.A.P. RTE.	SECTION	COUNTY	TOTAL SHEETS	SHEET NO.
*303	129M&TS	WINNEBAGO	110	70
STA.		TO STA.		
FED. ROAD DIST. NO.		ILLINOIS FED. AID PROJECT		

*(IL 173)

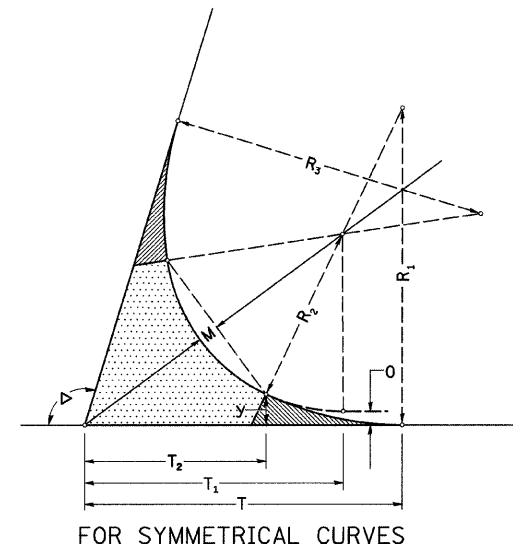
THREE CENTER CURVE DATA

SYMMETRICAL CURVES



FIELD LAYOUT METHOD

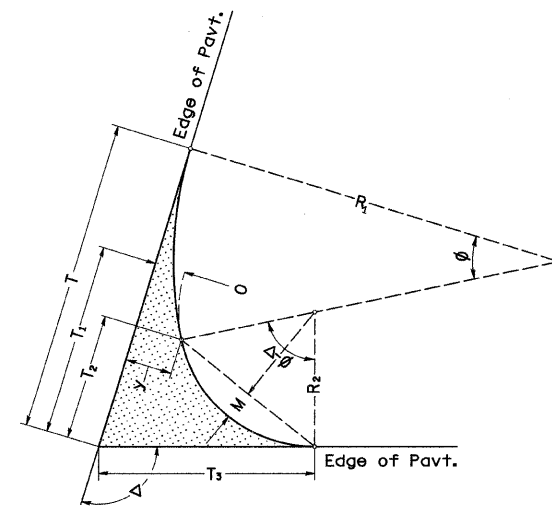
CURVE #							
R ₁							
R ₂							
R ₃							
O							
Δ							
T							
T ₁							
T ₂							
T ¹							
y							
4y/9							
y/9							
M							
15M/16							
3M/4							
7M/16							
C							



FOR SYMMETRICAL CURVES

ALL DIMENSIONS ARE IN MILLIMETERS (INCHES) UNLESS OTHERWISE NOTED.

TWO CENTER CURVE DATA



TWO CENTER CURVES

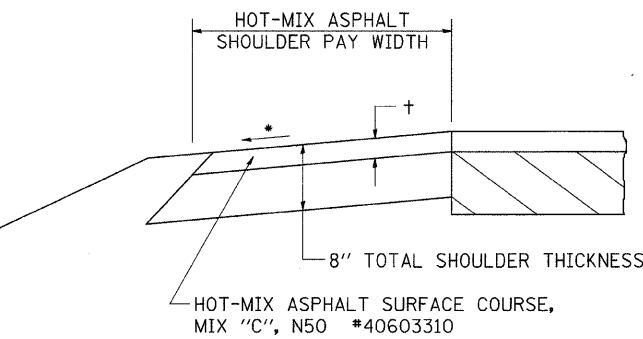
CURVE #	CURVE 1	CURVE 2	CURVE 3	CURVE 4	CURVE 5	CURVE 6	CURVE 7
R ₁	300.00	300.00	300.00	300.00	300.00	300.00	300.00
R ₂	60.00	100.00	100.00	60.00	75.00	100.00	50.00
O	35.50	15.00	8.00	10.00	19.50	8.00	12.00
Δ	102.60	77.40	77.40	102.60	102.60	77.40	102.17
T	208.44	152.76	134.33	145.68	189.60	134.33	141.04
T ₁	82.83	76.76	78.33	77.13	97.97	78.33	64.52
T ₂	51.42	38.77	50.33	59.99	67.43	50.33	49.21
T ₃	111.27	95.49	88.31	85.14	113.60	88.31	74.21
y	44.38	22.50	12.00	12.50	26.00	12.00	14.40
4y/9	19.72	10.00	5.33	5.56	11.56	5.33	6.40
y/9	4.93	2.50	1.33	1.39	2.89	1.33	1.60
M	11.16	11.33	13.90	16.12	16.95	13.90	12.94
15M/16	10.47	10.62	13.03	15.11	15.89	13.03	12.13
3M/4	8.37	8.49	10.42	12.09	12.71	10.42	9.71
7M/16	4.88	4.96	6.08	7.05	7.42	6.08	5.66
C	69.72	92.46	101.72	81.84	94.98	101.72	67.14

TWO AND THREE CENTER CURVE DATA 92.2

REVISED 3-22-90

HOT-MIX ASPHALT SHOULDER

GENERAL NOTES



† = SEE TYPICAL SECTIONS FOR THICKNESS

ALL DIMENSIONS ARE IN MILLIMETERS (INCHES) UNLESS OTHERWISE NOTED.

THE HOT-MIX ASPHALT SHOULDER SHALL BE CONSTRUCTED IN ACCORDANCE WITH SECTION 482 EXCEPT THE TOP LIFT SHALL BE HOT-MIX ASPHALT SURFACE COURSE, MIX "C", N50 #40603310. THE WORK WILL BE PAID FOR AT THE CONTRACT UNIT PRICE PER TON FOR HOT-MIX ASPHALT SURFACE COURSE, MIX "C", N50 #40603310 AND SQUARE YARD FOR HOT-MIX ASPHALT SHOULDERS OF THE THICKNESS SPECIFIED.

USE HOT-MIX ASPHALT SURFACE COURSE, MIX "C", N50 #40603310. WHEN RESURFACING EXISTING HOT-MIX ASPHALT SHOULDERS. THE THICKNESS IS SHOWN ON THE TYPICAL SECTIONS. THIS WORK WILL BE PAID FOR AT THE CONTRACT UNIT PRICE PER TON FOR HOT-MIX ASPHALT SURFACE COURSE, MIX "C", N50 #40603310.

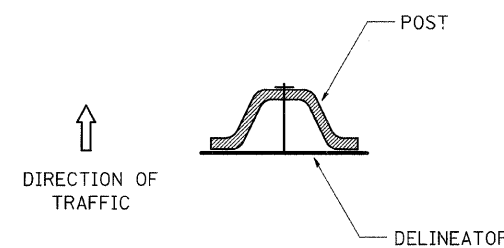
REMOVAL OF MATERIAL FOR PLACEMENT OF THE HOT-MIX ASPHALT SHOULDER TO BE PAID FOR IN UNITS FOR EXCAVATING AND GRADING EXISTING SHOULDERS OR IN CUBIC YARDS FOR EARTH EXCAVATION OR EARTH EXCAVATION WIDENING.

*4% WHEN MAINLINE IS ON TANGENT. FOR CROSS SLOPE ON SUPERELEVATION SECTION, SEE HIGHWAY STANDARD 482001 OR 482006.

HOT-MIX ASPHALT SHOULDER 23.4a

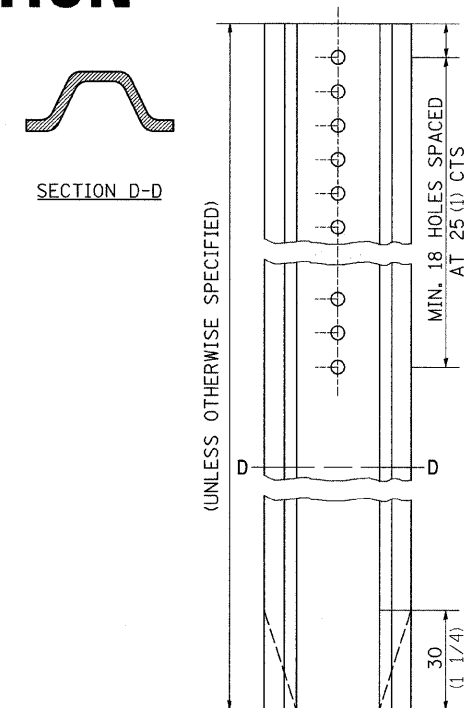
REVISED 10-06-06

DELINEATOR AND POST ORIENTATION



DELINEATORS SHALL BE INSTALLED ACCORDING TO STANDARD 635001 EXCEPT THAT THE POST SHALL BE ROTATED 180°. THE POST WILL HAVE THE WIDE SIDE FACING TRAFFIC AND THE DELINEATOR ATTACHED AS SHOWN ABOVE.

ALL DIMENSIONS ARE IN MILLIMETERS (INCHES) UNLESS OTHERWISE NOTED.



DELINEATOR AND POST ORIENTATION 37.4

REVISED 1-31-00

PLOT DATE = Mon Dec 03 14:38:22 2007
 FILE NAME = c:\p\proj\m\y2007\187_ab9787.rpl.dgn
 PLOT SCALE = 5000000 / 1 IN.
 REFERENCE = WHER*