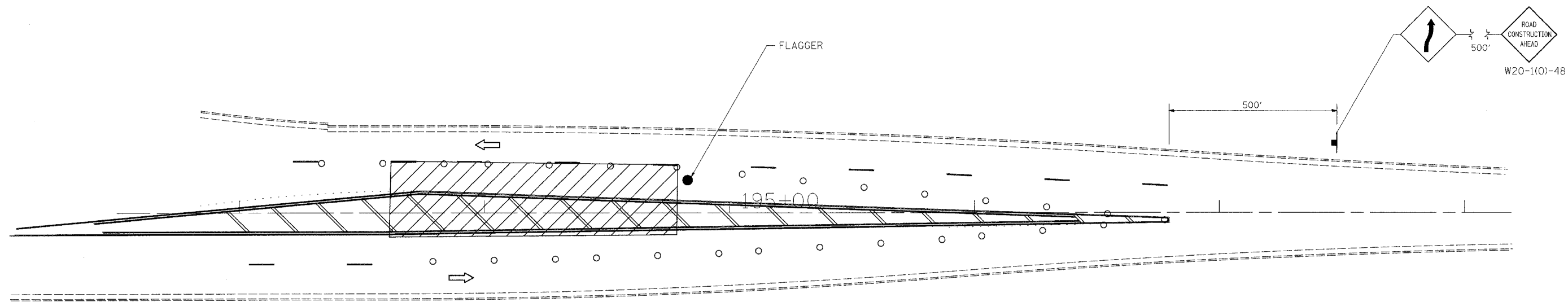
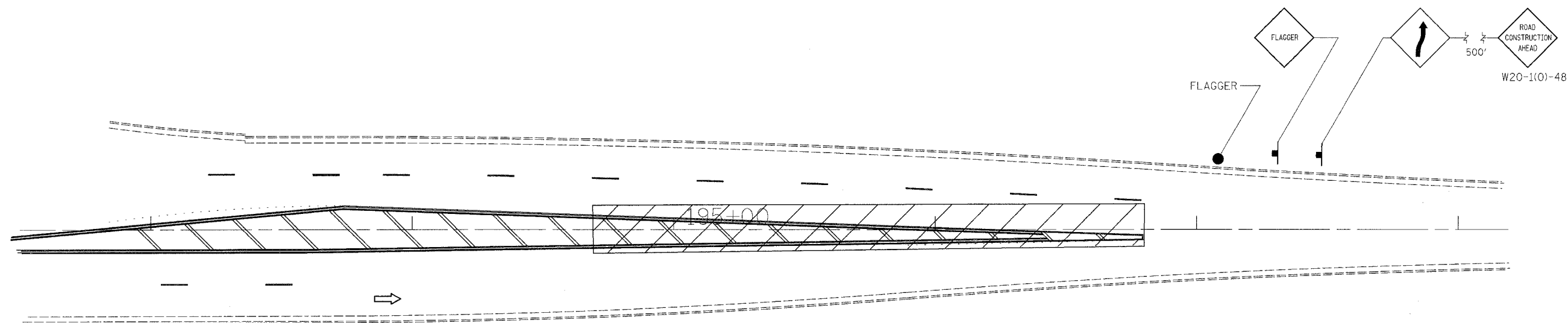


F.A.U. RTE.	SECTION	COUNTY	TOTAL SHEETS	SHEET NO.
5564	111PM	WHITESIDE	16	5
STA.		TO STA.		
FED. ROAD DIST. NO.	ILLINOIS	FED. AID PROJECT		

STAGING DETAILS



DETAIL A



DETAIL B

STAGE NOTES

1. WHEN WORK ACTIVITIES START OR END WITHIN 2500' OF THE EXISTING TRANSITION, USE THIS STANDARD.
2. TO BE USED IN CONJUNCTION WITH 701602.
3. TO BE INCLUDED IN THE COST OF STANDARD 701602.
4. FLAGGERS ARE REQUIRED WHEN NORMAL TRAFFIC FLOW IS INTERRUPTED AND WORKERS ARE ON THE PAVEMENT.
5. SPACING OF DEVICES SHALL BE AS SHOWN ON 701602.
6. WHEN WORKING IN TRANSITION OF THE EAST END OF US 30, FLAGGERS WILL BE USED WITH NECESSARY SIGNING, PAID FOR AS STANDARD 701602.

REVISIONS	
NAME	DATE

ILLINOIS DEPARTMENT OF TRANSPORTATION

SCALE: VERT. HORIZ. DATE

DRAWN BY CHECKED BY

STAGING DETAILS

PLOT DATE = Thu, Dec 06, 2007 09:29:03 AM
 FILE NAME = c:\p\projects\6289987\6289987.dgn
 PLOT SCALE = 24.0000 / IN.
 USER NAME = henonka