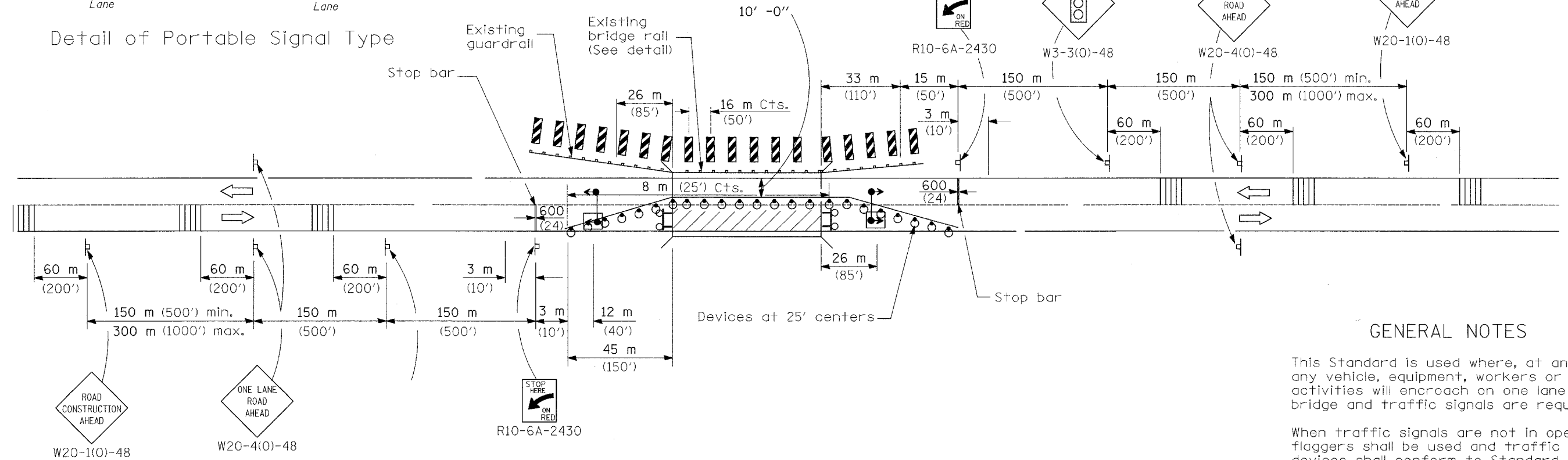


Detail of Portable Signal Type



For contract construction projects

GENERAL NOTES

This Standard is used where, at any time any vehicle, equipment, workers or their activities will encroach on one lane of a bridge and traffic signals are required.

When traffic signals are not in operation, flaggers shall be used and traffic control devices shall conform to Standard 701201 or 701206.

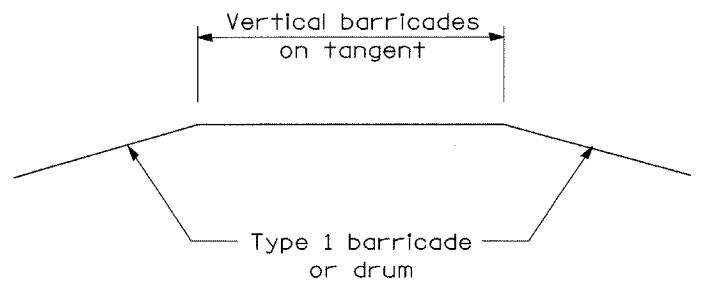
Bi-directional lights shall be used at night along the centerline where the work area is separated from the traveled lane using barricades or drums. Monodirectional lights shall be used at night on all other barricades or drums.

Existing or temporary pavement marking shall be on both sides of the open lane from stop bar to stop bar.

All dimensions are in millimeters (Inches) unless otherwise shown.

SYMBOLS

- Work area
- Sign
- Barricade, or drum with steady burning lights
- Type III barricade with flashing lights
- Traffic signal
- Temporary rumble strip (when specified)
- Induction loop detector
- Vertical panel (back to back)



LANE CLOSURE, 2L, 2W,
BRIDGE REPAIR,
FOR SPEEDS \geq 45 MPH
(Sheet 1 of 2)

STANDARD 701316 SPECIAL

FILE NAME =	USER NAME = linkdj	DESIGNED -	REVISED -	STATE OF ILLINOIS DEPARTMENT OF TRANSPORTATION	SCALE: _____ SHEET NO. ____ OF ____ SHEETS STA. _____ TO STA. _____	F.A.P. RTE.	SECTION	COUNTY	TOTAL SHEETS	SHEET NO.	
D:\BR\CADD plans\Carroll County\0086000	0086000-rehab.dgn	DRAWN -	REVISED -			17	6000M-1	CARROLL	20	4	
PLOT SCALE = 50.0000' / IN.		CHECKED -	REVISED -			CONTRACT NO. 64058					
PLOT DATE = Wed Dec 12 10:45:39 2007		DATE -	REVISED -			ILLINOIS FED. AID PROJECT					