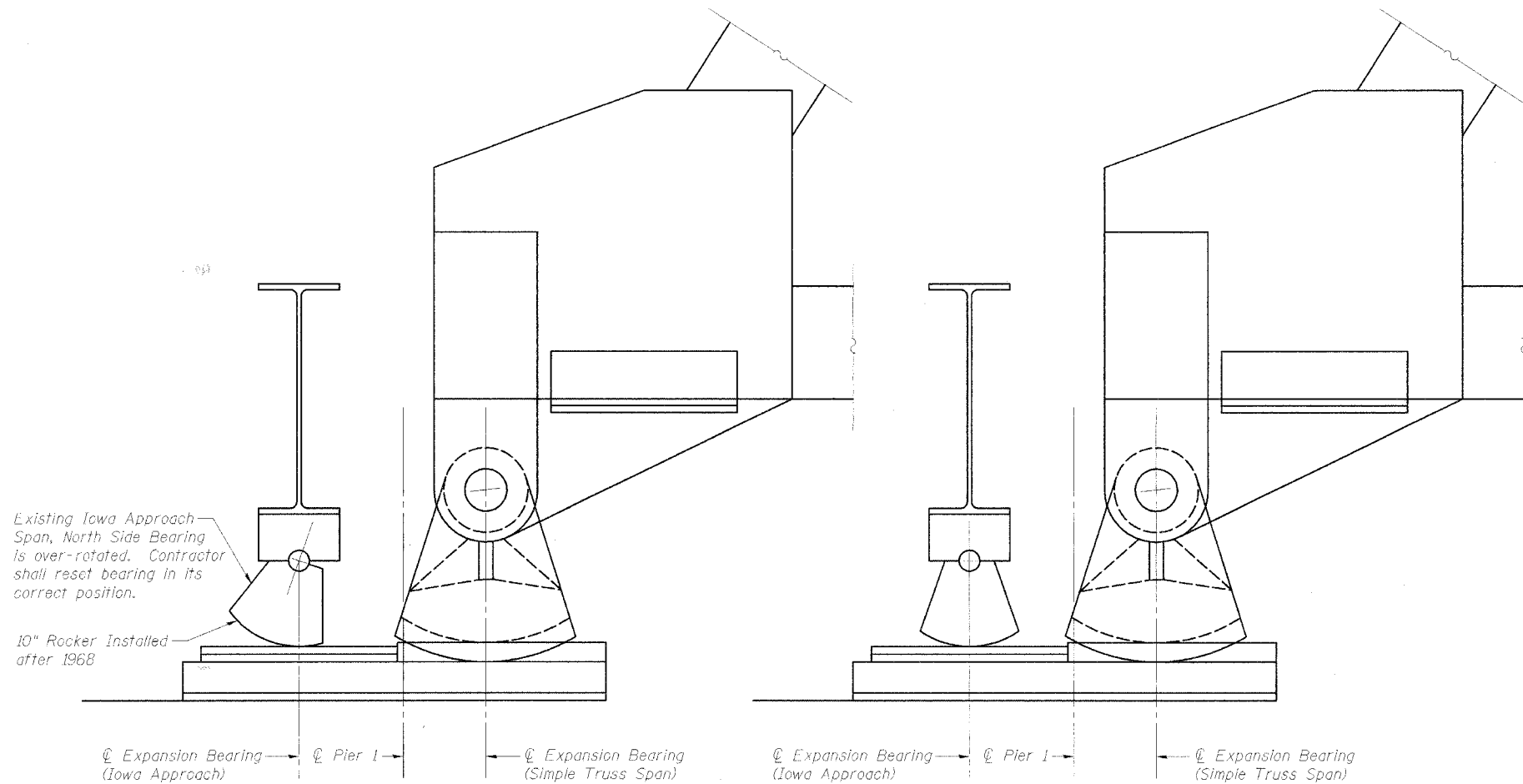


STATE OF ILLINOIS
DEPARTMENT OF TRANSPORTATION

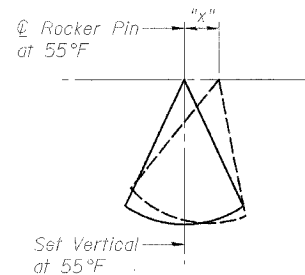
ROUTE NO.	SECTION	COUNTY	TOTAL SHEETS	SHEET NO.
F.A.P. 17	6000 M-1	CARROLL	20	9
FED. ROAD DIST. NO. 7	ILLINOIS	FED. AID PROJECT		15 SHEETS



EXISTING BEARING CONDITION AT PIER 1

REPAIRED BEARING CONDITION AT PIER 1

Rockers shall be vertical at 55°F under full dead load of repaired structure.



RESETTING OF ROCKER AT PIER 1

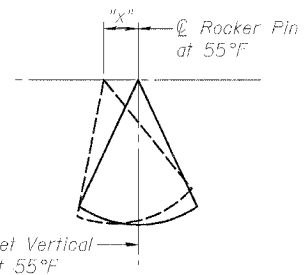
(Iowa Approach)

Proposed work includes resetting only the north bearing of Iowa Approach

Rocker	Set at Dimension "x"*			Dead Load Reaction per Bearing
	15°F	55°F	95°F	
Iowa Approach	-3/16"	0"	+3/16"	48 kips
Simple Truss Span	-7/8"	0"	+7/8"	131 kips

Note: Negative Dimension Indicates the bearing should be tilted in a contracted position (toward the span which it supports).

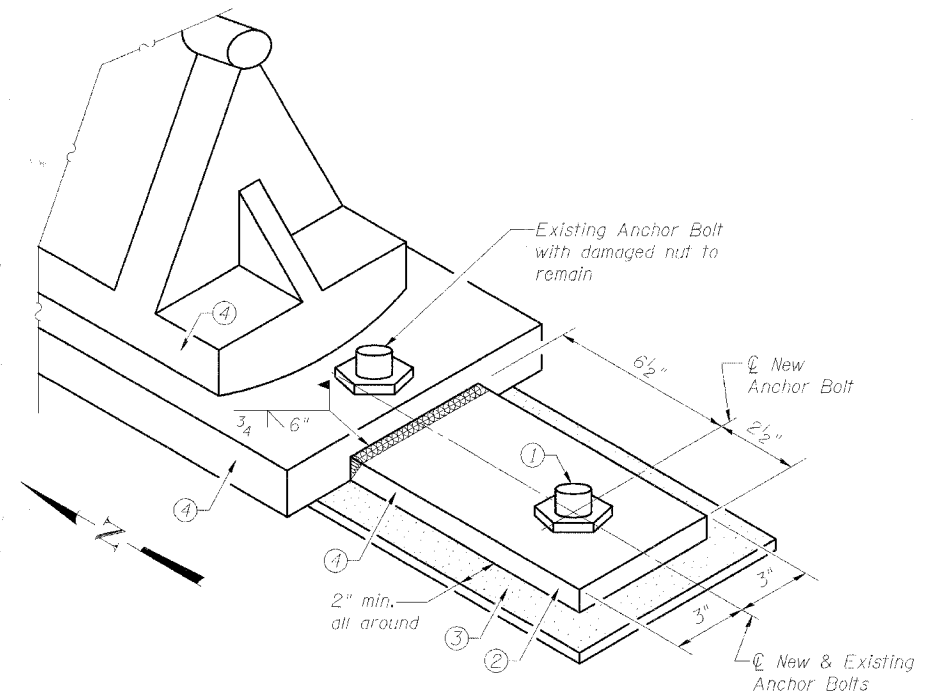
* from 1985 Repair Plans



RESETTING OF ROCKERS AT PIER 1

(Simple Truss Span)

Shown for Information only.



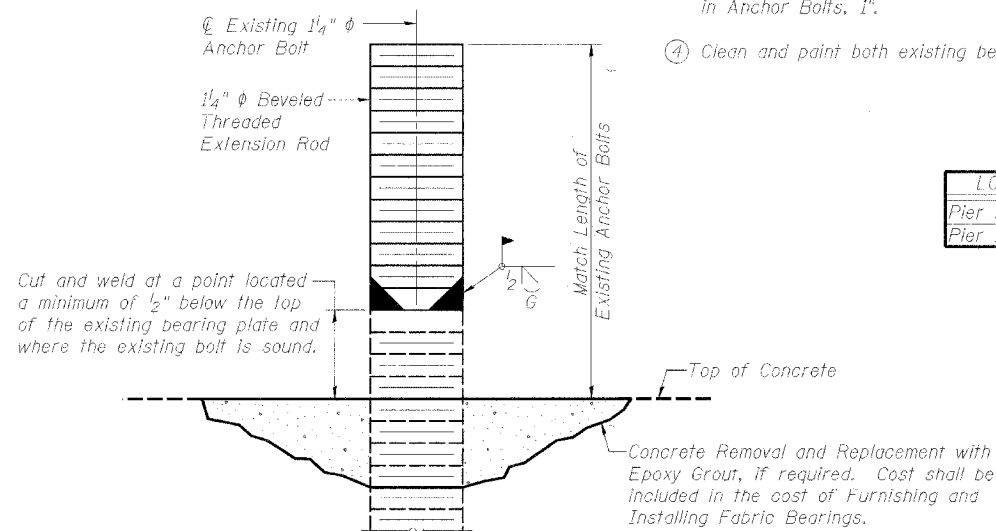
ANCHOR BOLT DETAIL AT PIER 5

Repair corroded nut at inside of north, main truss rocker bearing plate. (Add lateral shear tab with anchor bolt.)

- Drill and epoxy 1" ϕ anchor bolt, 12" minimum embedment into existing concrete bearing seat. This work shall be paid for at the contract unit price each for Anchor Bolts, 1".
- Weld 6" x 9" x 3/4" bearing plate shear tab to south side of existing bearing plate; included in Anchor Bolts, 1".
- Set (2) on leveling bed of nonshrink grout min. 10" x 11" in plan; included in Anchor Bolts, 1".
- Clean and paint both existing bearings and new steel; included in Cleaning and Painting.

BILL OF MATERIAL

LOCATION	ITEM	UNIT	TOTAL
Pier 5	Anchor Bolts, 1"	Each	1
Pier 1	Jack & Reposition Bearings	Each	1



ANCHOR BOLT EXTENSION DETAIL

- The furnishing and installation of required Anchor Bolt Extensions shall be included in the cost of Furnishing and Installing Fabric Bearings.
- Use this detail as required to repair existing corroded or bent anchor bolts which inhibit removal and replacement of existing bearings in kind.

**ANCHOR BOLT AND
ROCKER BEARING DETAILS
F.A.P. RTE. 17 (US 52/IL 64)
OVER MISSISSIPPI RIVER
SECTION 6000 M-1
CARROLL COUNTY (IL)
JACKSON COUNTY (IA)
STRUCTURE NO. 008-6000**

DESIGNED	PJL
CHECKED	LLV
DRAWN	MCM
CHECKED	PJL

STS CONSULTANTS
111 NE Jefferson Ave.
Peoria, Illinois 61602
Ph(309)676-8464
FAX(309)676-5445
IL Design Firm Reg. No. 184-001518