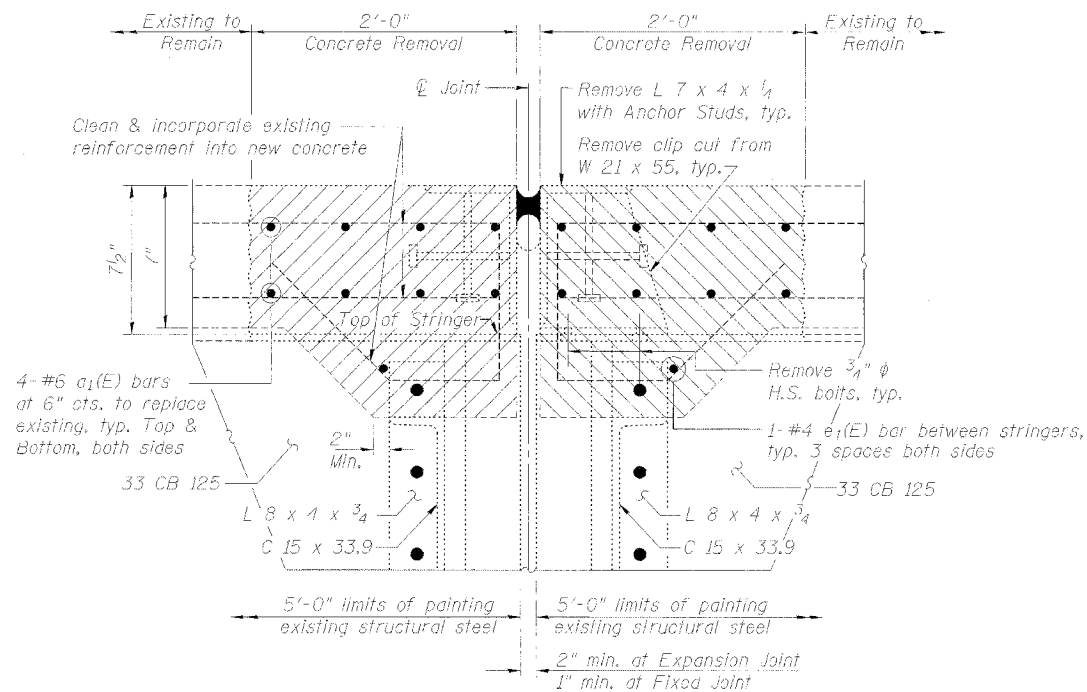


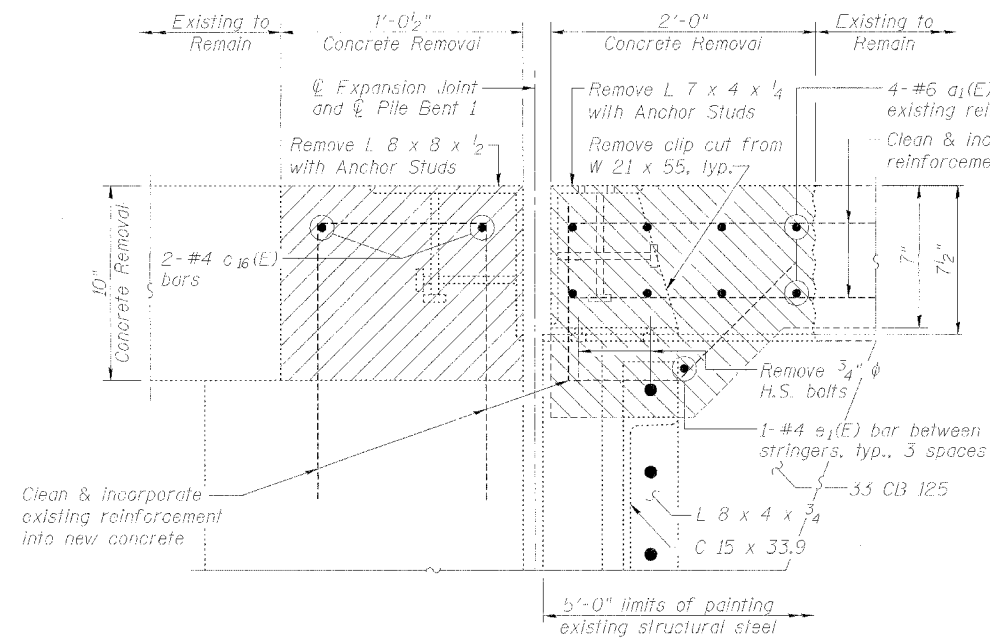
Note: Existing Reinforcement Bars shown are to be cleaned and incorporated into new construction.

PROJECT NO.	SECTION	COUNTY	DATE	SHEET	SHEET NO. 8 15 SHEETS
F.A.P. 17	6000 M-1	CARROLL	20	13	
FED. ROAD DIST. NO. 7		ILLINOIS	FED. AID PROJECT		



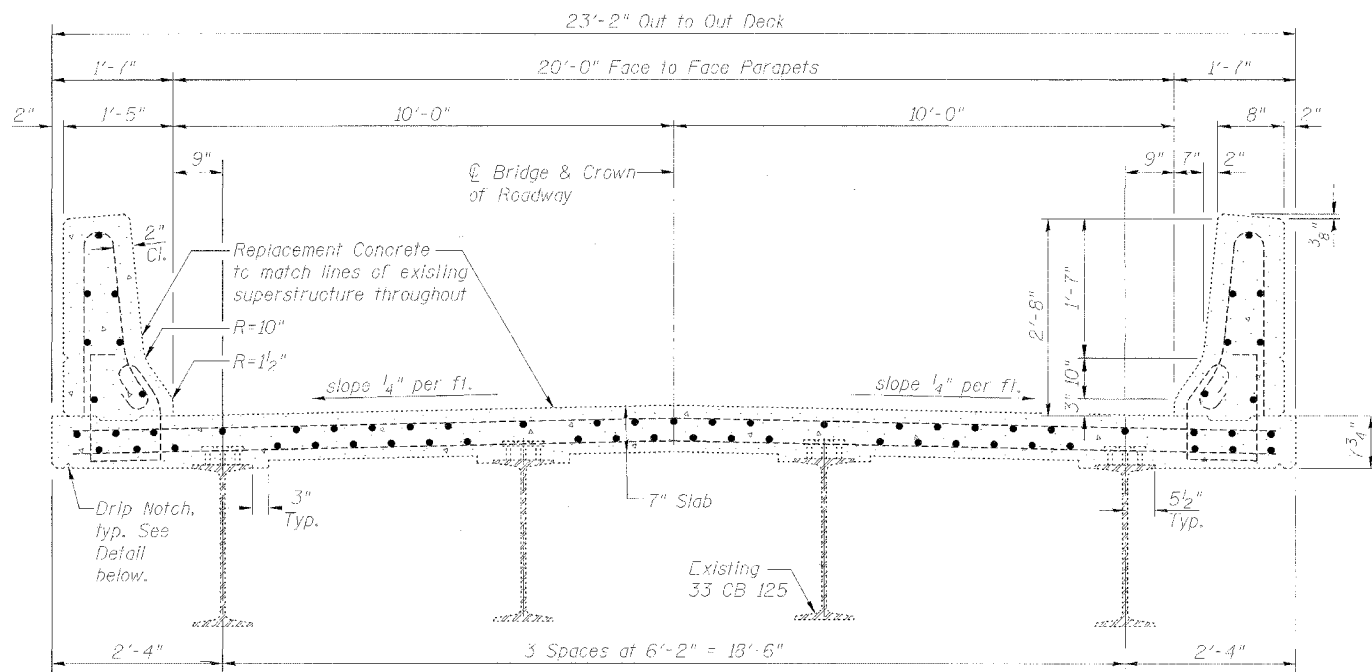
**REMOVE EXISTING ARMORED
PREFORMED ELASTIC NEOPRENE JOINTS**

Similar at Fixed and Expansion Joints; remove all existing joint angles.

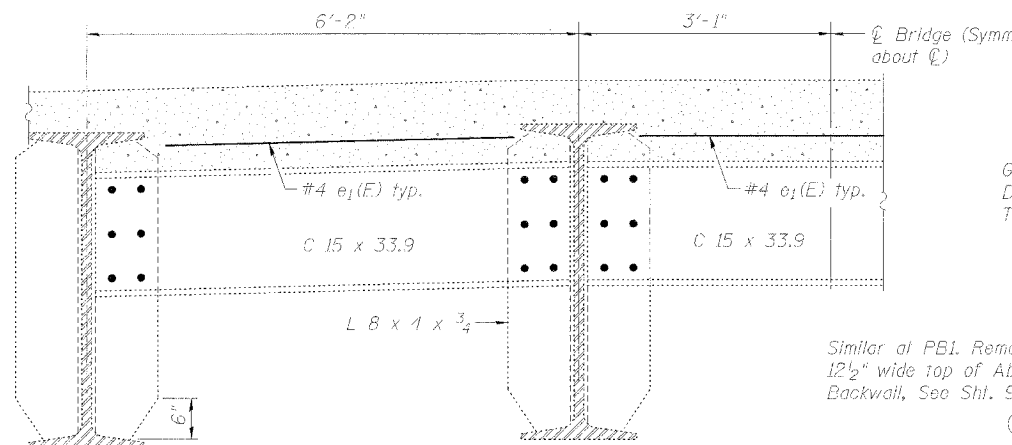


EXISTING EXPANSION JOINT AT PILE BENT 1

Remove all existing joint angles, typ.

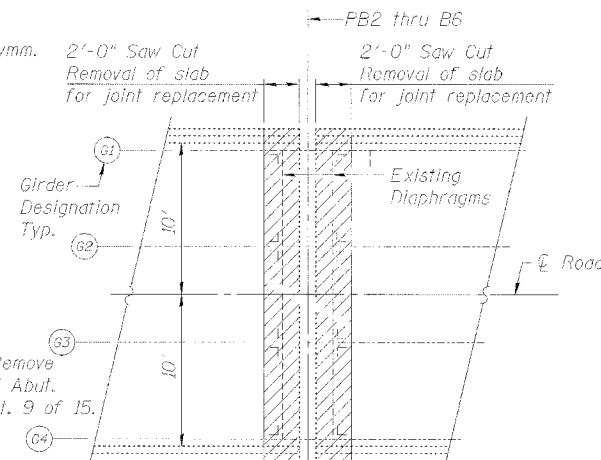


TYPICAL CROSS SECTION



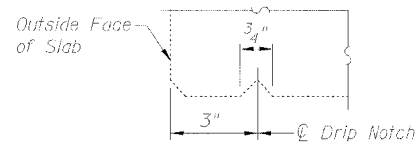
EXISTING END DIAPHRAGM DETAIL

Included in Structural Steel to be Painted.



JOINT REPLACEMENT DETAIL

Note: See Sht. 9 of 15 for Reinforcement Bar table and Bill of Material.



DRIP NOTCH DETAIL

DESIGNED	PJL
CHECKED	LLV
DRAWN	MGM
CHECKED	PJL

**TYPICAL SECTIONS, JOINTS, AND
DIAPHRAGM DETAILS**
F.A.P. RTE. 17 (US 52/IL 64)
OVER MISSISSIPPI RIVER
SECTION 6000 M-1
CARROLL COUNTY (IL)
JACKSON COUNTY (IA)
STRUCTURE NO. 008-6000

STS CONSULTANTS
111 NE Jefferson Ave.
Peoria, Illinois 61602
Ph(309)676-8464
FAX(309)676-6446
IL Design Firm Reg. No. 184-001518