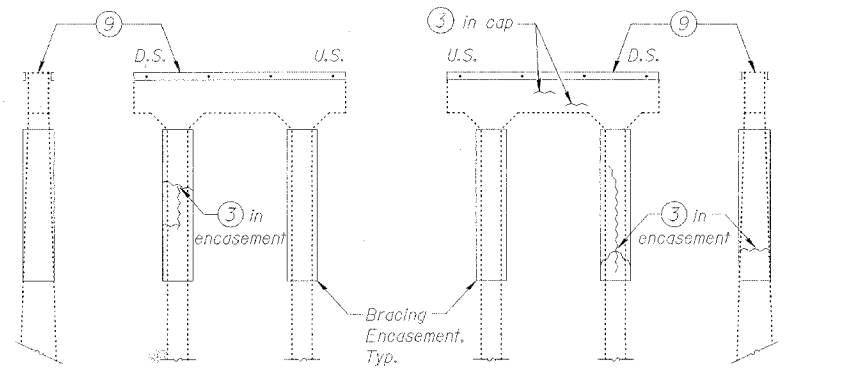


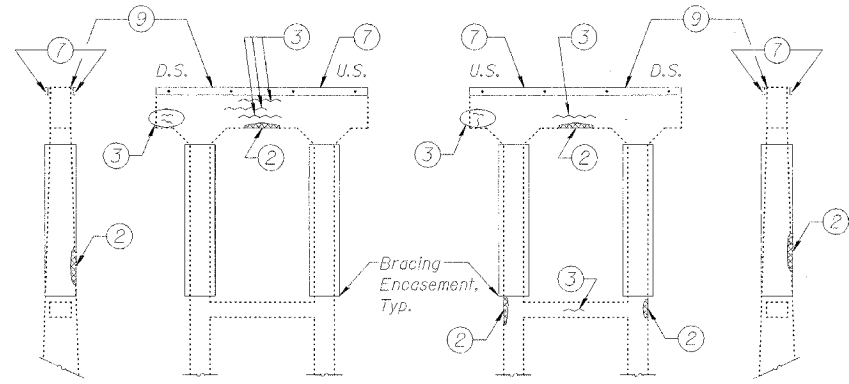
STATE OF ILLINOIS
DEPARTMENT OF TRANSPORTATION

ROUTE NO.	SECTION	COUNTY	TOTAL SHEETS	SHEET NO.	SHEET NO. 14
F.A.P. 17	6000 M-1	CARROLL	20	19	15 SHEETS
FED. ROAD DIST. NO. 7	ILLINOIS	FED. AID PROJECT-			



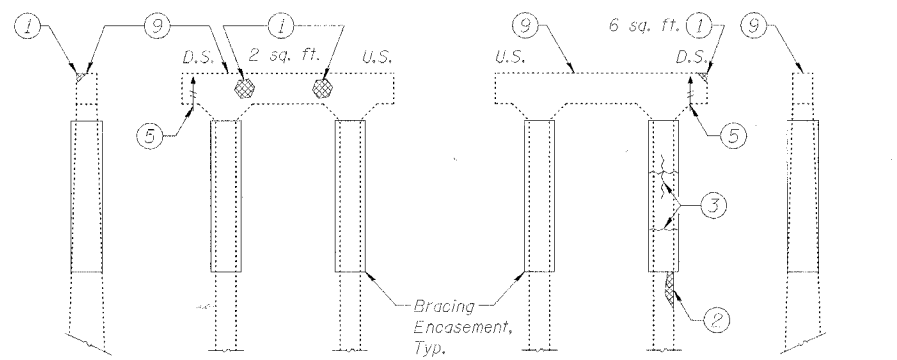
SOUTH ELEVATION EAST ELEVATION WEST ELEVATION NORTH ELEVATION

BENT 1



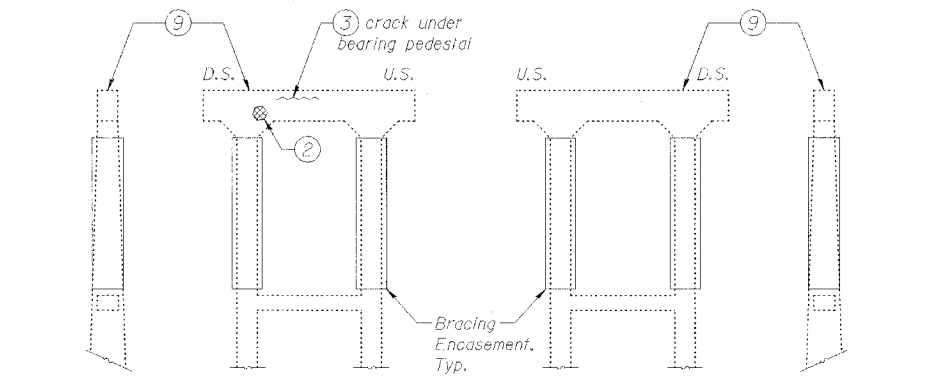
SOUTH ELEVATION EAST ELEVATION WEST ELEVATION NORTH ELEVATION

BENT 4



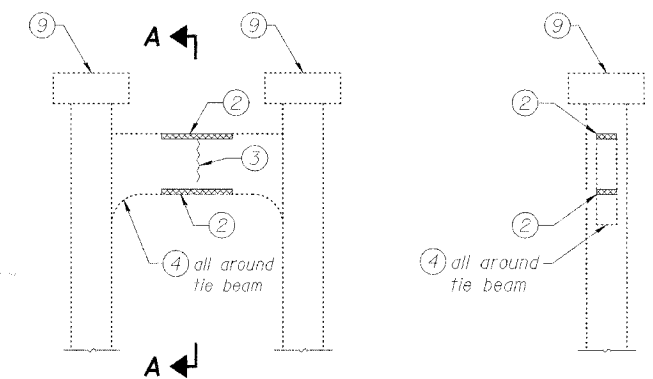
SOUTH ELEVATION EAST ELEVATION WEST ELEVATION NORTH ELEVATION

BENT 2



SOUTH ELEVATION EAST ELEVATION WEST ELEVATION NORTH ELEVATION

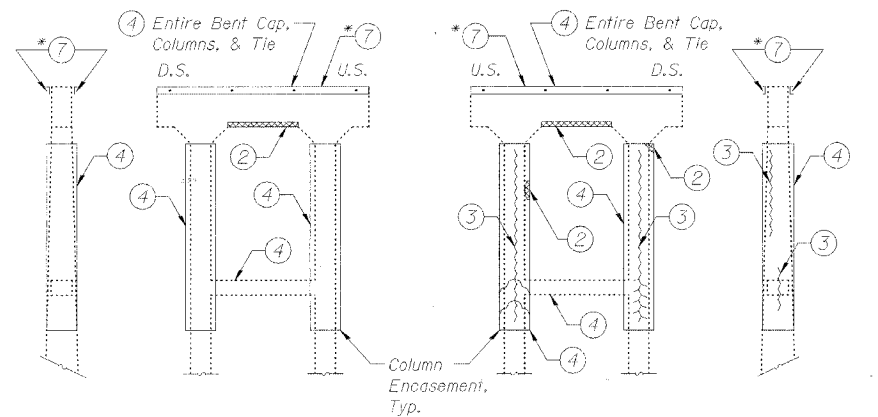
BENT 5



WEST ELEVATION & EAST ELEVATION

SECTION A-A

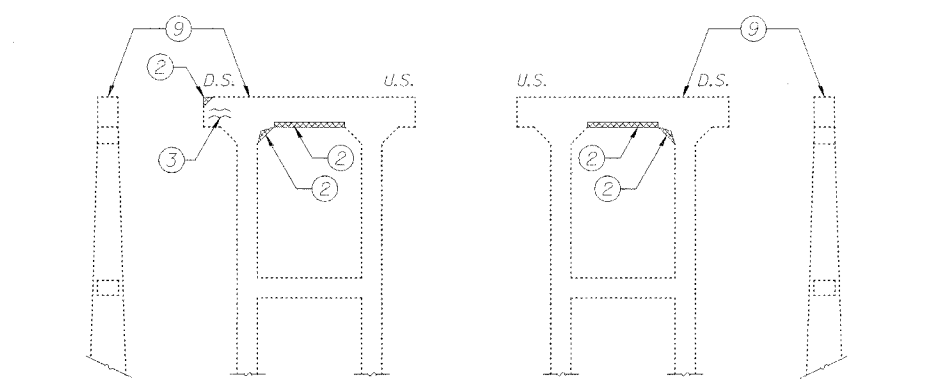
PIER 5



SOUTH ELEVATION EAST ELEVATION WEST ELEVATION NORTH ELEVATION

BENT 3

* Necessary to accomplish (4)



SOUTH ELEVATION EAST ELEVATION WEST ELEVATION NORTH ELEVATION

BENT 6

DESIGNED	PJL
CHECKED	LLV
DRAWN	MGM
CHECKED	PJL

- Notes:
1. No Concrete Repairs proposed for Pier 1, Pier 2, Pier 3, or Pier 4, except bearing seat Concrete Sealer (9)
2. See Sht. 12 of 15 for corresponding Repair Schedule.

SUBSTRUCTURE CONCRETE REPAIRS
F.A.P. RTE. 17 (US 52/IL 64)
OVER MISSISSIPPI RIVER
SECTION 6000 M-1
CARROLL COUNTY (IL)
JACKSON COUNTY (IA)
STRUCTURE NO. 008-6000

STS CONSULTANTS
111 NE Jefferson Ave.
Peoria, Illinois 61602
Ph(309)676-8464
FAX(309)676-5445
IL Design Firm Reg. No. 184-001518